

EN Dishwasher  
FR Lave-vaisselle  
PL Zmywarka  
RO Mașină de spălat vase  
ES Lavavajillas  
PT Máquina de lavar  
louça

**EN IMPORTANT** - These instructions are for your safety. Please read through them thoroughly prior to handling the product and retain them for future reference.

**FR IMPORTANT** : Ces instructions sont données pour votre sécurité. Merci de les lire attentivement avant de manipuler le produit et de les conserver pour référence.

**PL WAŻNE** — Niniejsza instrukcja została opracowana w celu zapewnienia bezpieczeństwa użytkownikowi. Należy ją dokładnie przeczytać przed obsługą produktu i zachować do wykorzystania w przyszłości.

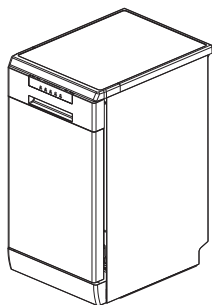
**RO IMPORTANT** - Aceste instrucțiuni sunt pentru siguranța ta. Citește-le cu atenție înainte de montarea produsului și păstrează-le pentru consultare ulterioară.

**ES IMPORTANTE:** Estas instrucciones son para su propia seguridad. Léelas atentamente antes de manipular el producto y guárdelas para futuras consultas.

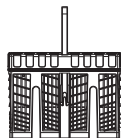
**PT IMPORTANTE** - Estas instruções são para sua segurança. Leia-as atentamente antes de manusear o produto e guarde-as para consultas futuras.

V10522\_5059340445717\_BX220IM/B3

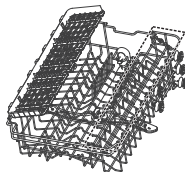
**FS45DISHUK**  
5059340445717  
**FS45DISHEU**  
5059340445700



01. x1



02. x1



03. x1



04. x1



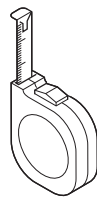
05. x1



06. x1

EN You will need FR Vous aurez besoin de PL Będziesz potrzebować  
RO Vei avea nevoie de ES Necesitará PT Vai precisar de

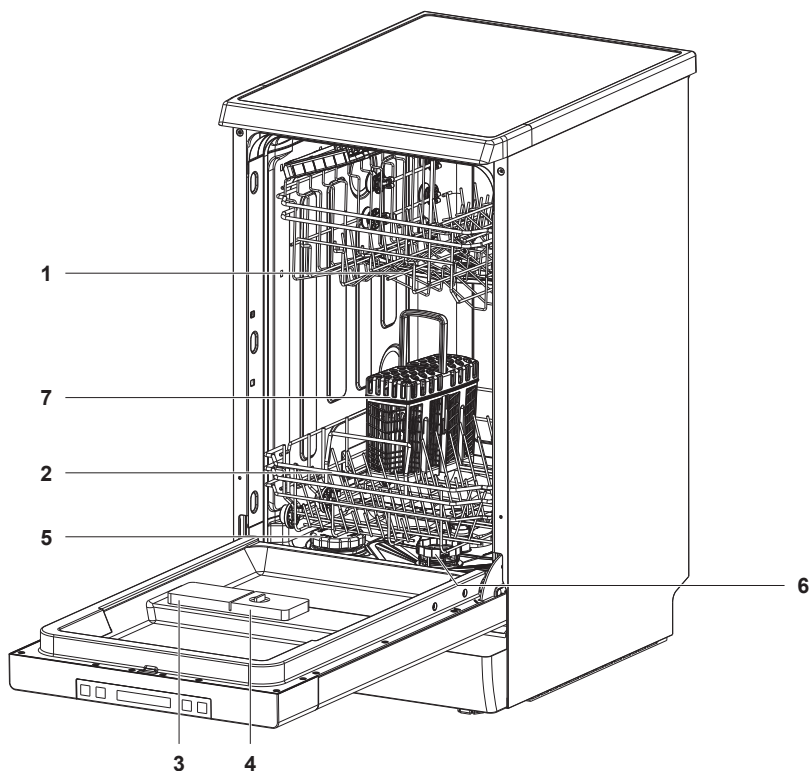
x2



EN Contents FR Table des matières PL Spis treści RO Cuprins  
ES Contenido PT Conteúdo

EN	FR	PL	RO	ES	PT
<b>Product description</b>	3 Description du produit	3 Opis produktu	3 Descrierea produsului	3 Descripción del producto	3 Descrição do produto
<b>Safety</b>	4 Sécurité	9 Bezpieczeństwo	16 Siguranță	22 Seguridad	28 Segurança
<b>Guarantee</b>	9 Garantie	15 Gwarancja	22 Garanție	28 Garantía	34 Garantia
<b>Installation</b>	42 Installation	42 Instalacja	42 Montare	42 Instalación	42 Instalação
<b>Function and Setting</b>	46 Fonctions et réglages	57 Funkcje i ustawienia	69 Funcții și setări	81 Funciones y configuración	93 Funções e configurações
<b>Care and Maintenance</b>	117 Entretien et maintenance	119 Czyszczenie i konserwacja	122 Îngrijire și întreținere	124 Cuidados y mantenimiento	126 Cuidados e manutenção

**EN** Product description **FR** Description du produit **PL** Opis produktu  
**RO** Descrierea produsului **ES** Descripción del producto  
**PT** Descrição do produto



**EN** 1. Upper basket 2. Lower basket 3. Detergent dispenser 4. Rinse aid container 5. Salt container  
6. Filter assembly 7. Cutlery basket

**FR** 1. Panier supérieur 2. Panier inférieur 3. Distributeur de détergent 4. Réservoir de liquide de rinçage  
5. Réservoir de sel 6. Ensemble filtre 7. Panier à couverts

**PL** 1. Górny kosz 2. Dolny kosz 3. Dozownik detergentu 4. Zbiornik na nablyszczacz 5. Zbiornik na sól  
6. Zespół filtra 7. Koszyk na sztućce

**RO** 1. Coș superior 2. Coș inferior 3. Dozator pentru detergent 4. Recipient pentru soluție de clătire  
5. Recipient pentru sare 6. Ansamblu filtru 7. Coș pentru tacâmuri

**ES** 1. Cesto superior 2. Cesto inferior 3. Dosificador de detergente 4. Depósito de abrillantador  
5. Depósito de sal 6. Conjunto de filtros 7. Cesto para cubiertos

**PT** 1. Cesto superior 2. Cesto inferior 3. Dispensador de detergente 4. Compartimento do abrilhantador  
5. Compartimento para sal 6. Conjunto do filtro 7. Cesto para talheres



## EN

### Before you start

These instructions are for your safety. Please read the following instructions carefully before proceeding with the installation and use of this appliance.



**WARNING: ALL INSTALLATION WORK MUST BE CARRIED OUT BY A SUITABLY QUALIFIED PERSON, STRICTLY FOLLOWING LOCAL BUILDING REGULATIONS AND THESE INSTRUCTIONS.**

- To avoid the risks that are always present when you use an electrical appliance it is important that this dishwasher is installed correctly and that you read the safety instructions carefully to avoid misuse and hazards. After unpacking the dishwasher please check that it is not damaged. If in doubt, do not use the appliance but contact Customer Services on 0800 324 7818 (UK) and 1-800 932 230 (Eire).

- Check the packaging to ensure you have all of the parts listed and decide upon the appropriate location for your product.
- The specification plate shown on this appliance displays all the necessary identification information for ordering replacement parts.
- If you sell the appliance, give it away, or leave it behind when you move house, please ensure that you pass on this manual so that the new owner can become familiar with the appliance and its safety warnings.

### Safety

- This appliance must not be used with an external timer, time switch or a separate remote control system.
- Before using the appliance for the first time, remove all packaging and clean all parts. Please see the details given in the “Care and Maintenance” section.
- Installation must be performed in compliance with all current local regulations. If in doubt, contact a professional.
- Before installation, decide on the appropriate location for your product.



- Do not use this appliance outdoors, in bathrooms or humid environments or in places where it can get wet.
- Children under 8 years of age shall be kept away unless continuously supervised.
- Do not leave this appliance unattended while it is in use.
- Always use the appliance on a stable, flat, clean dry, and non-slip surface.
- This appliance is for domestic household use only.
- The maximum inlet water pressure is 1MPa.
- The minimum inlet water pressure is 0.04MPa.
- Only a qualified person must install this appliance.
- Do not install or use a damaged appliance.
- Follow the installation instruction supplied with the appliance.
- Always take care when moving the appliance as it is heavy. Always use safety gloves and enclosed footwear.
- Do not pull the appliance by the handle.
- This appliance is fitted with a mains plug suitable for your country, before connecting to the electrical supply ensure that the mains voltage corresponds to the voltage on the rating plate.
- Always use a correctly installed shockproof socket.
- Do not use multi-plug adapters and extension cables.
- Make sure not to cause damage to the mains plug and to the mains cable.
- Do not let mains cables touch or come near the appliance door, especially when the door is hot.
- Connect the mains plug to the mains socket only at the end of the installation. Make sure that there is access to the mains plug after the installation.
- If the mains socket is loose, do not connect the mains plug.
- Do not pull the mains cable to disconnect the appliance. Always pull the mains plug.



**WARNING:** THIS APPLIANCE IS FOR THE CLEANING OF CROCKERY AND CUTLERY ONLY. IT MUST NOT BE USED FOR ANY OTHER PURPOSE SUCH AS THE CLEANING OF CLOTHING OR SHOES, STEAMING OF FOOD OR OTHER SIMILAR TASKS.



**WARNING:** RISK OF FIRE AND ELECTRICAL SHOCK.

- Regularly check the power cord for damage. If the supply cord is damaged, it must be replaced by the manufacturer, its service agent or similarly qualified persons in order to avoid a hazard.
- This appliance complies with European Directives.
- This appliance can be used by children aged from 8 years and above and persons with reduced physical, sensory or mental capabilities or lack of experience and knowledge if they have been given supervision or instruction concerning use of the appliance in a safe way and understand the hazards involved. Cleaning and user maintenance shall not be made by children without supervision. Keep the appliance and its cord out of reach of children aged less than 8 years. Children shall not play with the appliance.
- Do not open the door of the appliance when it is running unless necessary. Be careful of the release of hot steam and water when you need to open the door.
- Keep all dishwasher chemicals and detergents out of the reach of children and pets. Do not allow them to contact skin and eyes. Do not swallow.
- The door is spring loaded and will automatically close when released; do not let the door slam against the front of the appliance.
- When you pull the upper and lower baskets out completely, the door of the product will bear all the weight of the baskets. Do not put other loads on the door; as the product may tilt.
- Do not change the specification of this appliance.
- Make sure that the ventilation openings are not blocked.
- Deactivate the appliance after each use.
- Do not operate the appliance with wet hands.
- Do not stand or apply pressure on the open door.
- Do not use the appliance as a work surface or as a storage surface.
- If the appliance is installed behind a furniture panel (e.g. a door) make sure the door is never closed when the appliance



**WARNING: RISK OF INJURY, BURNS AND ELECTRICAL SHOCK OR EXPLOSION.**



**WARNING: KNIVES AND OTHER UTENSILS WITH SHARP POINTS MUST BE LOADED IN THE BASKET WITH THEIR POINTS DOWN OR PLACED IN A HORIZONTAL POSITION.**

is in operation. Heat and moisture can build up behind a closed furniture panel and cause subsequent damage to the appliance, the housing unit or the floor. Do not close the furniture panel until the appliance has cooled down completely after use.

- Never leave the door of the product open apart from during loading and unloading procedures. The door should not be left in the open position since this could present a tripping hazard.
- No responsibility or warranty claim shall be assumed for damages arising from misuse or improper handling of the appliance.
- The new hose-sets supplied with the appliance are to be used and that old hose-sets should not be reused and disposed of at your local recycling centre.
- Never attempt to dismantle the appliance. No warranty claims are accepted for damage caused by improper handling.
- Before maintenance, deactivate the appliance and disconnect the mains plug from the mains socket.
- Allow disconnection of the appliance from the supply after installation.

- Clean the appliance regularly to prevent the deterioration of the surface material.
- Do not use a steam cleaner to clean the appliance.
- Refer to the Care and Maintenance section for cleaning and maintenance of the appliance.

## Direct Connection

All installation must be carried out by a competent person or qualified electrician. Before connecting the mains supply ensure that the mains voltage corresponds to the voltage on the rating plate.

- This appliance is supplied with a fitted plug suitable for use in your country.
- The cable must not be bent or compressed.
- Regularly check the power cord for damage.



**WARNING: THIS IS A CLASS I APPLIANCE AND MUST BE EARTHED.**

- This appliance is supplied with a 3 core mains cable coloured as follows:  
Brown = L or Live  
Blue = N or Neutral  
Green and Yellow = E or Earth
- **The replacement fuse must be rated at 13 Amps (UK only).**
- To avoid the risks that are always present when you use an electrical appliance it is important that this appliance is installed correctly and that you read the safety instructions carefully to avoid misuse and hazards. Please keep this instruction booklet for future reference and pass it on to any future owners. After unpacking the appliance please check that it is not damaged. If in doubt, do not use the appliance but contact Customer Services.
- The manufacturer declines all liability for damage caused to persons and objects due to incorrect or improper installation of the appliance. Any permanent electrical installation must comply with the latest wiring regulations applicable to your country and for your own safety a qualified electrician or contractor should undertake the electrical installation.

## Technical data

Height (H)	845mm
Width (W)	448mm
Depth (D1)	600mm (with the door closed)
Depth (D2)	1175mm (with the door opened 90°)

<b>Supplier's name or trade mark:</b> Kingfisher International Products Limited				
<b>Supplier's address ( <sup>b</sup> ): UK Manufacturer:</b> Kingfisher International Products Limited 3 Sheldon Square, London, W2 6PX, United Kingdom <b>EU Manufacturer:</b> Kingfisher International Products B.V. Rapunburgerstraat 175E, 1011 VM Amsterdam, The Netherlands				
<b>Model identifier:</b> FS45DISHUK / FS45DISHEU				
<b>General product parameters:</b>				
Parameter	Value	Parameter	Value	
Place settings	10	Dimensions in cm	Height	85
			Width	45
			Depth	60
Energy Efficiency Index (EEI)	55.9	Energy efficiency class ( <sup>1</sup> )	E ( <sup>3</sup> )	
Cleaning performance index ( <sup>1</sup> )	1.125	Drying performance index ( <sup>1</sup> )	1.065	
Energy consumption in kWh [per cycle], based on the eco program using cold water fill. Actual energy consumption will depend on how the appliance is used.	0.755	Water consumption in litres [per cycle], based on the eco program. Actual water consumption will depend on how the appliance is used and on the hardness of the water.	9.0	
Program duration ( <sup>1</sup> ) (h:min)	3:55	Type	Free standing	
Airborne acoustical noise emissions ( <sup>1</sup> ) (dB(A) re 1 pW)	49	Airborne acoustical noise emission class ( <sup>1</sup> )	C ( <sup>3</sup> )	
Off-mode (W)	0.49	Standby mode (W)	N/A	
Delay start (W) (if applicable)	1.00	Networked standby (W) (if applicable)	N/A	
<b>Minimum duration of the guarantee offered by the supplier ( <sup>2</sup> ): 2 years</b>				
<b>Additional information:</b>				
Weblink to the supplier's website, where the information in point 6 of Annex II to Commission Regulation (EU) 2019/2022 ( <sup>4</sup> ) ( <sup>2</sup> ) is found: <a href="http://www.kingfisher.com/products">www.kingfisher.com/products</a>				
( <sup>1</sup> ) for the eco program.				
( <sup>2</sup> ) changes to these items shall not be considered relevant for the purposes of paragraph 4 of Article 4 of Regulation (EU) 2017/1369.				
( <sup>3</sup> ) if the product database automatically generates the definitive content of this cell the supplier shall not enter these data.				
( <sup>4</sup> ) Commission Regulation (EU) 2019/2022 of 1 October 2019 laying down eco design requirements for household dishwashers pursuant to Directive 2009/125/EC of the European Parliament and of the Council amending Commission Regulation (EC) No 1275/2008 and repealing Commission Regulation (EU) No 1016/2010 (see page 267 of this Official Journal).				

## Guarantee

We take special care to select high quality materials and use manufacturing techniques that allow us to create products incorporating design and durability. This dishwasher has a manufacturer's guarantee of 2 years against manufacturing defects, from the date of purchase (if bought in store) or date of delivery (if bought online), at no additional cost for normal (non-professional or commercial) household use.

To make a claim under this guarantee, you must present your proof of purchase (such as a sales receipt, purchase invoice or other evidence admissible under applicable law), please keep your proof of purchase in a safe place. For this guarantee to apply, the product you purchased must be new, it will not apply to second hand or display products. Unless stated otherwise by applicable law, any replacement product issued under this guarantee will only be guaranteed until expiry of the original period guarantee period.

This guarantee covers product failures and malfunctions provided the product was used for the purpose for which it is intended and subject to installation, cleaning, care and maintenance in accordance with the information contained in these terms and conditions, in the user manual and standard practice, provided that standard practice does not conflict with the user manual.

This guarantee does not cover defects and damage caused by normal wear and tear or damage that could be the result of improper use, faulty installation or assembly, neglect, accident, misuse, or modification of the product. Unless stated otherwise by applicable law, this guarantee will not cover, in any case, ancillary costs (shipping, movement, costs of uninstalling and reinstalling, labour etc), or direct and indirect damage.

If the product is defective, we will, within a reasonable time, repair.

Rights under this guarantee are enforceable in the country in which you purchased this product. Guarantee related queries should be addressed to the store you purchased this product from.

The guarantee is in addition to and does not affect your statutory rights.

# IMPORTANT - RETAIN THIS INFORMATION FOR FUTURE REFERENCE: READ CAREFULLY

FR

## Avant de commencer

Ces consignes concernent votre sécurité. Lire attentivement les instructions suivantes avant de procéder à l'installation et à l'utilisation de cet appareil.



**AVERTISSEMENT :**  
TOUTES LES INSTALLATIONS DOIVENT ÊTRE EFFECTUÉES PAR UNE PERSONNE DÛMENT QUALIFIÉE, EN SUIVANT RIGOREUSEMENT LES RÉGLEMENTATIONS LOCALES EN MATIÈRE DE CONSTRUCTION ET LES PRÉSENTES INSTRUCTIONS.

- Afin d'éviter tout risque lors de l'utilisation d'un appareil électrique, il est important que le lave-vaisselle soit correctement installé et que les instructions de sécurité soient lues attentivement afin d'éviter une mauvaise utilisation et tout

danger. Après avoir déballé le lave-vaisselle, vérifier qu'il n'est pas endommagé. En cas de doute, ne pas utiliser l'appareil et contacter le service client au 0805 114 951.

- Contrôler l'emballage et s'assurer de disposer de toutes les pièces répertoriées, puis choisir l'emplacement approprié pour le produit.
- La plaque signalétique placée sur l'appareil affiche toutes les informations d'identification nécessaires pour commander des pièces de rechange.
- En cas de vente ou de don de l'appareil, ou encore s'il est laissé sur place lors d'un déménagement, s'assurer de remettre cette notice au nouveau propriétaire afin qu'il puisse se familiariser avec l'appareil et les avertissements de sécurité.

## Sécurité

- Cet appareil ne doit pas être utilisé avec une minuterie externe, un temporisateur ou un système de commande à distance séparé.
- Avant d'utiliser l'appareil pour la première fois, retirer tous les emballages et nettoyer toutes les pièces. Se reporter aux détails fournis dans la section « Entretien et maintenance ».
- L'installation doit être effectuée conformément à toutes les

réglementations locales en vigueur. En cas de doute, contacter un professionnel.

- Avant l'installation, choisir l'emplacement approprié pour le produit.
- Ne pas utiliser cet appareil à l'extérieur, en environnement humide, dans une salle de bains ou dans tout endroit où il risque d'être mouillé.
- Il convient d'éloigner les enfants de moins de 8 ans, à moins qu'ils ne soient surveillés en permanence.
- Ne pas laisser cet appareil sans surveillance lorsqu'il est en cours d'utilisation.
- Toujours utiliser l'appareil sur une surface stable, plane, propre, sèche et antidérapante.
- Cet appareil est destiné à un usage domestique uniquement.
- La pression d'entrée d'eau maximale est de 1MPa.
- La pression d'entrée d'eau minimale est de 0,04MPa.



### **AVERTISSEMENT :**

**CET APPAREIL EST UNIQUEMENT DESTINÉ AU NETTOYAGE DE LA VAISSELLE ET DES COUVERTS. IL NE DOIT PAS ÊTRE UTILISÉ À D'AUTRES FINS, TELLES QUE LE NETTOYAGE DE**

VÊTEMENTS OU DE  
CHAUSSURES, LA  
CUISSON D'ALIMENTS  
À LA VAPEUR OU  
AUTRES TÂCHES  
SIMILAIRES.



**AVERTISSEMENT :**  
**RISQUE**  
**D'INCENDIE ET**  
**D'ÉLECTROCUTION.**

- L'installation de cet appareil doit uniquement être effectuée par une personne qualifiée.
- Ne pas installer ou utiliser un appareil endommagé.
- Suivre les instructions d'installation fournies avec l'appareil.
- Faire toujours preuve de prudence lors du déplacement de l'appareil, en raison de son poids. Toujours porter des gants de protection et des chaussures fermées.
- Ne pas tirer l'appareil par la poignée.
- Cet appareil est équipé d'une fiche secteur adaptée à votre pays. Avant de la brancher sur l'alimentation électrique, s'assurer que la tension de secteur correspond à la tension indiquée sur la plaque signalétique.
- Toujours utiliser une prise antichoc correctement installée.
- Ne pas utiliser d'adaptateurs multifiches ni de rallonges.
- Veiller à ne pas endommager la fiche secteur et le câble secteur.
- Ne pas laisser les câbles secteur toucher ou s'approcher de la porte de l'appareil, en particulier lorsque la porte est chaude.
- brancher la fiche sur la prise secteur uniquement lorsque l'installation est terminée. S'assurer que la fiche secteur est accessible après l'installation.
- Si la prise secteur est desserrée, ne pas brancher la fiche secteur.
- Ne pas tirer sur le câble secteur pour débrancher l'appareil. Toujours tirer sur la fiche secteur.
- Vérifier régulièrement que le cordon d'alimentation n'est pas endommagé. Si le cordon d'alimentation est endommagé, il doit être remplacé par le fabricant, son prestataire de service ou une personne qualifiée afin d'éviter tout danger.
- Cet appareil est conforme aux directives européennes.
- Cet appareil peut être utilisé par des enfants âgés de 8 ans et plus et par des personnes ayant des capacités physiques, sensorielles ou mentales réduites, ou présentant un manque d'expérience et de connaissances, à condition qu'ils soient correctement surveillés ou qu'ils aient reçu des instructions concernant l'utilisation de



l'appareil en toute sécurité et qu'ils comprennent les risques encourus. Le nettoyage et l'entretien par l'utilisateur ne doivent pas être effectués par des enfants sans surveillance. Garder l'appareil et son câble hors de portée des enfants de moins de 8 ans. Les enfants ne doivent pas jouer avec l'appareil.



**AVERTISSEMENT :**  
RISQUE DE BLESSURE,  
DE BRÛLURE, DE  
CHOC ÉLECTRIQUE OU  
D'EXPLOSION.



**AVERTISSEMENT :**  
LES COUTEAUX ET  
AUTRES USTENSILES  
POINTUS DOIVENT  
ÊTRE PLACÉS DANS  
LE PANIER POINTE  
VERS LE BAS OU À  
L'HORIZONTALE.

- Ne pas ouvrir la porte de l'appareil lorsqu'il est en marche, sauf si cela est nécessaire. Faire attention à la vapeur et à l'eau chaude susceptibles de s'échapper à l'ouverture de la porte.
- Garder tous les produits pour le lave-vaisselle et les détergents hors de portée des enfants et des animaux domestiques. Ne pas les laisser entrer en contact avec la peau et les yeux. Ne pas avaler.
- La porte est dotée d'un ressort et se ferme donc automatiquement lorsque vous la lâchez. Ne pas laisser la porte claquer contre l'avant de l'appareil.
- Lorsque vous sortez complètement les paniers supérieur et inférieur, la porte de l'appareil supportera le poids de ces deux paniers. Ne pas placer d'autres charges sur la porte, car le produit pourrait basculer.
- Ne pas modifier les spécifications de cet appareil.
- S'assurer que les ouvertures de ventilation ne sont pas obstruées.
- Éteindre l'appareil après chaque utilisation.
- Ne pas utiliser l'appareil avec les mains mouillées.
- Ne pas s'appuyer et ne pas appliquer de pression sur la porte ouverte.
- Ne pas utiliser l'appareil comme surface de travail ou de stockage.
- Si l'appareil est installé derrière un panneau de meuble (par exemple une porte), s'assurer que la porte n'est jamais fermée lorsque l'appareil est en fonctionnement. La chaleur et l'humidité peuvent s'accumuler derrière un panneau de meuble fermé et endommager l'appareil, le meuble dans lequel il est encastré ou le sol. Ne fermer le



panneau de meuble qu'une fois que l'appareil a complètement refroidi après utilisation.

- Ne jamais laisser la porte de l'appareil ouverte, hormis pendant que vous le remplissez et le videz. La porte ne doit pas être laissée en position ouverte, car cela pourrait présenter un risque de trébuchement.
- Aucune réclamation de responsabilité ou de garantie ne sera acceptée pour les dommages découlant d'une mauvaise utilisation ou d'une manipulation inappropriée de l'appareil.
- Les jeux de flexibles neufs fournis avec l'appareil doivent être utilisés ; les anciens ne doivent pas être réutilisés et doivent être mis au rebut dans votre centre de recyclage local.
- Ne jamais essayer de démonter l'appareil. Aucune réclamation au titre de la garantie ne sera acceptée pour les dommages causés par une manipulation incorrecte.
- Avant de procéder à l'entretien, éteindre l'appareil et débrancher la fiche secteur de la prise secteur.
- Laisser l'appareil débranché de l'alimentation après l'installation.
- Nettoyer l'appareil régulièrement pour éviter la détérioration du matériau de surface.
- Ne pas utiliser de nettoyeur vapeur pour nettoyer l'appareil.

- Se reporter à la section relative à l'entretien et à la maintenance pour procéder au nettoyage et à l'entretien de l'appareil.

## Raccordement direct

Toute installation doit être effectuée par une personne compétente ou un électricien qualifié. Avant de brancher le câble d'alimentation, s'assurer que la tension du secteur correspond à la tension indiquée sur la plaque signalétique.

- L'appareil est équipé d'une prise adaptée à une utilisation dans votre pays.
- Le câble ne doit pas être plié ou comprimé.
- Vérifier régulièrement que le cordon d'alimentation n'est pas endommagé.



**AVERTISSEMENT : IL S'AGIT D'UN APPAREIL DE CLASSE I. IL DOIT ÊTRE RACCORDÉ À LA TERRE.**

- Cet appareil est livré avec un câble d'alimentation à 3 conducteurs présentant le code couleur suivant :  
Marron = L ou Phase  
Bleu = N ou Neutre  
Vert et jaune = E ou Terre
- **Le fusible de remplacement doit être de 13A (Royaume-Uni uniquement).**
- Afin d'éviter tout risque lors de l'utilisation d'un appareil électrique, il est important que celui-ci soit correctement installé et que les instructions de sécurité soient lues attentivement afin d'éviter une mauvaise utilisation et tout danger. Veiller à conserver cette notice pour toute référence ultérieure et à la transmettre aux prochains propriétaires. Après avoir déballé l'appareil, vérifier qu'il n'est pas endommagé. En cas de doute, ne pas utiliser l'appareil et contacter le service client.
- Le fabricant décline toute responsabilité en cas de dommages corporels ou matériels causés par une mauvaise utilisation ou installation incorrecte de l'appareil. Toute installation électrique permanente doit être conforme aux dernières réglementations en matière d'installations électriques applicables dans votre pays et, pour votre propre sécurité, il convient qu'un électricien qualifié ou un entrepreneur effectue cette installation.

## Données techniques

Hauteur (H)	845mm
Largeur (l)	448mm
Profondeur (D1)	600mm (porte fermée)
Profondeur (D2)	1175mm (avec la porte ouverte à 90°)

<b>Nom ou marque du fournisseur :</b> Kingfisher International Products Limited				
<b>Adresse du fournisseur</b> <sup>(°)</sup> : Fabricant Royaume-Uni : Kingfisher International Products Limited 3 Sheldon Square, London, W2 6PX, United Kingdom Fabricant UE : Kingfisher International Products B.V. Rapenburgerstraat 175E, 1011 VM Amsterdam, The Netherlands				
<b>Numéro d'identification du modèle :</b> FS45DISHUK / FS45DISHEU				
<b>Paramètres généraux du produit :</b>				
Paramètre	Valeur	Paramètre	Valeur	
Couverts	10	Dimensions en cm	Hauteur	85
			Largeur	45
			Profondeur	60
Indice d'efficacité énergétique (IEE)	55,9	Classe d'efficacité énergétique <sup>(1)</sup>	E <sup>(3)</sup>	
Indice de performance de nettoyage <sup>(1)</sup>	1,125	Indice de performance de séchage <sup>(1)</sup>	1,065	
Consommation d'énergie en kWh [par cycle], basée sur le programme Eco utilisant le remplissage à l'eau froide. La consommation d'énergie réelle dépend de l'utilisation de l'appareil.	0.755	Consommation d'eau en litres [par cycle], basée sur le programme Eco. La consommation d'eau réelle dépend de l'utilisation de l'appareil et de la dureté de l'eau.	9,0	
Durée du programme <sup>(1)</sup> (h:min)	3:55	Type	À poser	
Émissions sonores dans l'air <sup>(1)</sup> (dB(A) re 1pW)	49	Classe des émissions sonores dans l'air <sup>(1)</sup>	C <sup>(3)</sup>	
Mode Arrêt (W)	0,49	Mode Veille (W)	N/A	
Démarrage différé (W) (le cas échéant)	1,00	Veille en réseau (W) (le cas échéant)	N/A	
<b>Durée minimale de la garantie offerte par le fabricant</b> <sup>(2)</sup> : 2 ans				
<b>Informations supplémentaires :</b>				
Lien vers le site Web du fournisseur, où se trouvent les informations figurant au point 6 de l'Annexe II du Règlement (UE) 2019/2022 de la Commission <sup>(4)</sup> <sup>(2)</sup> : <a href="http://www.kingfisher.com/products">www.kingfisher.com/products</a>				
<sup>(1)</sup> Pour le programme Eco.				
<sup>(2)</sup> Les modifications apportées à ces éléments ne sont pas considérées comme pertinentes aux fins du point 4 de l'Article 4 du Règlement (UE) 2017/1369.				
<sup>(3)</sup> Si la base de données produit génère automatiquement le contenu définitif de cette cellule, le fournisseur ne doit pas saisir ces données.				
<sup>(4)</sup> Règlement de la Commission (UE) 2019/2022 du 1er octobre 2019 définissant les exigences d'écoconception pour les lave-vaisselle ménagers conformément à la Directive 2009/125/CE du Parlement européen et du Conseil, modifiant le Règlement de la Commission (CE) n° 1275/2008 et abrogeant le Règlement de la Commission (UE) n° 1016/2010 (voir page 267 du Journal Officiel).				

## Garantie

Nous veillons tout particulièrement à sélectionner des matériaux de haute qualité et à utiliser des techniques de fabrication qui nous permettent de créer des produits à la fois design et durables. Ce produit bénéficie d'une garantie fabricant de 2 ans couvrant les défauts de fabrication à compter de la date d'achat (en cas d'achat en magasin) ou de la date de livraison (en cas d'achat sur Internet), sans coût supplémentaire pour une utilisation domestique normale (non commerciale ni professionnelle).

Pour déposer une réclamation au titre de cette garantie, vous devez présenter votre preuve d'achat (ticket de caisse, facture d'achat ou toute autre preuve recevable en vertu de la loi en vigueur). Conservez votre preuve d'achat dans un endroit sûr. Pour que cette garantie soit applicable, le produit que vous avez acheté doit être neuf. La garantie ne s'applique pas aux produits d'occasion ou aux modèles d'exposition. Sauf indication contraire prévue par la loi en vigueur, tout produit de remplacement fourni au titre de la présente garantie ne sera garanti que jusqu'à expiration de la période de garantie initiale.

Cette garantie couvre les défaillances et dysfonctionnements du produit, sous réserve que le produit ait été utilisé conformément à l'usage pour lequel il a été conçu, qu'il ait été installé, nettoyé et entretenu conformément aux informations contenues dans les présentes conditions générales ainsi que dans le manuel d'utilisation, et conformément à la pratique, sous réserve que celles-ci n'aillent pas à l'encontre du manuel d'utilisation.

Cette garantie ne couvre pas les défauts et dommages causés par l'usure normale ni les dommages pouvant résulter d'une utilisation non conforme, d'une installation ou d'un assemblage défectueux, ou d'une négligence, d'un accident, d'une mauvaise utilisation ou d'une modification du produit. Sauf indication contraire prévue par la loi en vigueur, cette garantie ne couvre en aucun cas les coûts accessoires (expédition, transport, frais de désinstallation et réinstallation, main d'œuvre, etc.), ni les dommages directs et indirects.

Si le produit est défectueux, nous nous engageons, dans un délai raisonnable, à réparer.

Cette garantie est valable dans le pays où vous avez acheté ce produit. Toute demande au titre de la garantie doit être adressée au magasin où vous avez acheté ce produit.

Cette garantie s'ajoute à vos droits au titre de la loi, sans les affecter.

Si vous avez acheté ce produit en France, en plus de cette garantie commerciale, le vendeur reste tenu de respecter la garantie légale de conformité prévue par les articles L217-4 à L217-14 du Code de la consommation et aux articles qui concernent les vices cachés de la chose vendue dans les conditions prévues aux articles 1641 à 1648 et 2232 du Code civil. Le distributeur auprès duquel vous avez acheté ce produit répond de tout défaut de conformité ou vice caché du produit, conformément aux présentes dispositions.

En vertu de l'article L217-16 du Code de la consommation, lorsque l'acheteur demande au vendeur, pendant la durée de la garantie commerciale qui lui a été consentie lors de l'acquisition ou de la réparation d'un bien meuble, une remise en état couverte par la garantie, toute période d'immobilisation d'au moins sept jours vient s'ajouter à la durée de la garantie qui reste à courir. Cette période court à compter de la demande d'intervention de l'acheteur ou de la mise à disposition pour réparation du bien en cause, si cette mise à disposition est postérieure à la demande d'intervention. Garantie légale de conformité (extrait du Code de la consommation) : Article L217-4 du Code de la consommation - Le vendeur doit livrer un bien conforme au contrat et répond des défauts de conformité existant lors de la livraison. Il répond également des défauts de conformité résultant de l'emballage, des instructions de montage ou de l'installation lorsque celle-ci a été mise à sa charge par le contrat ou a été réalisée sous sa responsabilité. Article L217-5 du Code de la consommation - Le bien est conforme au contrat : 1. S'il est adapté à l'objectif généralement prévu pour des biens similaires et, le cas échéant : s'il correspond à la description donnée par le vendeur et possède les qualités présentées par le vendeur à l'acheteur sous forme d'échantillon ou de modèle ; s'il présente des qualités que l'acheteur peut légitimement attendre au regard des déclarations publiques faites par le vendeur, par le fabricant ou par son représentant, notamment dans la publicité ou l'étiquetage ; 2. Ou s'il présente les caractéristiques définies d'un commun accord par les parties ou est propre à tout usage spécial recherché par l'acheteur, porté à la connaissance du vendeur et que ce dernier a accepté. Article L217-12 du Code de la consommation - Toute réclamation suite à un défaut de conformité est limitée à deux ans à compter de la livraison du bien. Garantie légale sur les vices cachés (extrait

du Code de la consommation) : Article 1641 du Code civil - Le vendeur est tenu de la garantie en cas de défauts cachés de la chose vendue qui la rendent impropre à l'usage auquel on la destine, ou qui diminuent tellement cet usage que l'acheteur ne l'aurait pas acquise, ou n'en aurait donné qu'un moindre prix, s'il les avait connus. Article 1648 du Code civil (alinéa 1) - Toute réclamation résultant de vices cachés doit être faite par l'acheteur dans un délai de deux ans à compter de la découverte du vice.

## **IMPORTANT – A CONSERVER POUR DE FUTURS BESOINS DE REFERENCE : A LIRE SOIGNEUSEMENT.**

**PL**

### **Przed rozpoczęciem użytkowania**

Niniejsza instrukcja została opracowana w celu zapewnienia bezpieczeństwa użytkownikowi. Należy dokładnie przeczytać następujące instrukcje przed rozpoczęciem montażu i użytkowania urządzenia.



**OSTRZEŻENIE:**  
**MONTAŻ MUSI ZOSTAĆ  
WYKONANY PRZEZ  
OSOBĘ POSIADAJĄCĄ  
ODPOWIEDNIE  
KWALIFIKACJE, Z  
ZACHOWANIEM  
PEŁNEJ ZGODNOŚCI  
Z LOKALNYMI  
PRZEPISAMI**

## **BUDOWLANYMI I INFORMACJAMI ZAWARTYMI W NINIEJSZEJ INSTRUKCJI OBSŁUGI.**

- Aby ograniczyć do minimum ryzyko związane z użytkowaniem urządzenia elektrycznego, niezwykle ważne jest prawidłowe zamontowanie zmywarki, a także dokładne zapoznanie się z instrukcjami dotyczącymi bezpieczeństwa oraz unikanie nieprawidłowej obsługi i związanych z tym zagrożeń. Po rozpakowaniu zmywarki należy upewnić się, że nie jest ona uszkodzona. W razie wątpliwości nie korzystać z urządzenia i skontaktować się z działem obsługi klienta pod numerem 800 121 2222.
- Sprawdzić zawartość opakowania, aby upewnić się, że zawiera wszystkie części wymienione w specyfikacji oraz wybrać docelowe miejsce urządzenia.
- Tabliczka znamionowa znajdująca się na urządzeniu zawiera wszystkie informacje identyfikacyjne potrzebne do zamówienia części zamiennych.
- W przypadku sprzedaży urządzenia, przekazania go innym osobom lub pozostawienia w domu po wyprowadzce należy przekazać niniejszą instrukcję obsługi

nowemu właścicielowi, aby umożliwić mu zaznajomienie się z urządzeniem i ostrzeżeniami dotyczącymi bezpieczeństwa.

## Bezpieczeństwo

- Nie wolno łączyć urządzenia z programatorem zewnętrznym, wyłącznikiem czasowym ani oddzielnym układem zdalnego sterowania.
- Przed pierwszym użyciem urządzenia należy zdjąć wszystkie elementy opakowania i oczyścić wszystkie części. Należy zapoznać się ze szczegółowymi informacjami podanymi w rozdziale poświęconym czyszczeniu i konserwacji urządzenia.
- Montaż należy przeprowadzić zgodnie ze wszystkimi obowiązującymi lokalnymi przepisami. W razie wątpliwości należy skontaktować się z fachowcem.
- Przed przystąpieniem do montażu należy wybrać odpowiednie miejsce do ustawienia urządzenia.
- Urządzenia nie wolno użytkować na zewnątrz, w łazienkach lub w warunkach dużej wilgotności bądź też w miejscach, w których może dojść do jego zalania.
- Dzieci poniżej 8. roku życia nie powinny zbliżać się do urządzenia, chyba że pod nadzorem osoby dorosłej.

- Nie pozostawiać urządzenia bez nadzoru podczas pracy.
- Urządzenie należy zawsze użytkować na stabilnej, płaskiej, czystej, suchej powierzchni, bez ryzyka poślizgu.
- Urządzenie jest przeznaczone wyłącznie do użytku w gospodarstwach domowych.
- Maksymalne ciśnienie dopływającej wody nie może być wyższe niż 1 MPa.
- Minimalne ciśnienie dopływającej wody nie może być niższe niż 0,04 MPa.



### **OSTRZEŻENIE:**

**URZĄDZENIE JEST PRZEZNACZONE WYŁĄCZNIE DO MYCIA NACZYŃ I SZTUĆCÓW. NIE WOLNO WYKORZYSTYWAĆ DO JAKICHKOLWIEK INNYCH CELÓW, TAKICH JAK CZYSZCZENIE ODZIEŻY LUB OBUWIA, GOTOWANIE NA PARZE BĄDŹ INNYCH PODOBNYCH CZYNNOŚCI.**



### **OSTRZEŻENIE:**

**RYZIKO POŻARU LUB PORĄŻENIA PRĄDEM.**

- Montażu urządzenia może dokonać wyłącznie osoba posiadająca odpowiednie kwalifikacje.

- Nie wolno montować ani użytkować uszkodzonego urządzenia.
- Należy przestrzegać instrukcji montażu dostarczonej wraz z urządzeniem.
- Należy zawsze zachować ostrożność podczas przenoszenia urządzenia z uwagi na jego ciężar. Należy zawsze stosować rękawice ochronne i obuwie z zakrytymi palcami.
- Nie wolno ciągnąć urządzenia za uchwyt.
- Urządzenie jest wyposażone we wtyczkę sieciową odpowiednią dla danego kraju. Przed podłączeniem do zasilania elektrycznego należy upewnić się, że napięcie sieciowe odpowiada napięciu na tabliczce znamionowej.
- Należy zawsze korzystać z prawidłowo zamontowanego gniazda przeciwporażeniowego.
- Nie wolno stosować rozdzielaczy i przedłużaczy.
- Nie wolno uszkodzić wtyczki przewodu zasilającego ani samego przewodu.
- Przewody zasilające nie mogą dotykać ani znajdować się w pobliżu drzwi urządzenia, zwłaszcza gdy drzwi są gorące.
- Wtyczkę przewodu zasilającego należy podłączyć do gniazda sieciowego dopiero po zakończeniu instalacji. Upewnić się, że wtyczka przewodu zasilającego będzie dostępna po zakończeniu instalacji.
- Nie wolno podłączać wtyczki przewodu zasilającego do poluzowanego gniazda sieciowego.
- Nie wolno pociągać za przewód zasilający, aby wyłączyć urządzenie. Należy zawsze pociągać za wtyczkę.
- Należy regularnie sprawdzać przewód zasilania pod kątem uszkodzeń. Jeśli dojdzie do uszkodzenia przewodu zasilającego, z powodów bezpieczeństwa powinien on zostać wymieniony przez producenta, przedstawiciela serwisowego lub inną osobę o odpowiednich kwalifikacjach.
- Urządzenie jest zgodne z dyrektywami europejskimi.
- Urządzenie mogą obsługiwać dzieci w wieku co najmniej 8 lat i osoby o ograniczonej sprawności fizycznej, sensorycznej lub umysłowej, a także osoby nieposiadające wystarczającego doświadczenia bądź wystarczającej wiedzy, pod warunkiem, że będą nadzorowane lub zostały poinstruowane o zasadach użytkowania urządzenia w bezpieczny sposób oraz są świadome związanych z tym zagrożeń. Prace związane z czyszczeniem i konserwacją



nie powinny być wykonywane przez dzieci bez odpowiedniego nadzoru. Urządzenie i przewód zasilający należy przechowywać w miejscu niedostępnym dla dzieci w wieku poniżej 8 lat. Dzieci nie powinny bawić się urządzeniem.



**OSTRZEŻENIE:**  
RYZIKO ODNIESIENIA  
OBRAŻEŃ, PORAŻENIA  
PRĄDEM I POPARZEŃ  
LUB WYBUCHU.



**OSTRZEŻENIE:**  
SZTUĆCE O OSTRYCH  
KOŃCACH, W TYM  
NOŻE NALEŻY  
WKŁADAĆ DO  
KOSZYKA KOŃCAMI  
SKIEROWANYMI W DÓŁ  
LUB KŁAŚĆ POZIOMO.

- Nie wolno bez potrzeby otwierać drzwi pracującego urządzenia. W razie konieczności otwarcia drzwi należy zachować ostrożność z uwagi na uwolnienie gorącej pary i wody.
- Wszystkie środki chemiczne i detergenty do mycia naczyń należy utrzymywać poza zasięgiem dzieci i zwierząt domowych. Uważać, aby nie doszło do kontaktu ze skórą ani oczami. Nie połykać.
- Drzwi są wyposażone w mechanizm sprężynowy i zamkną się automatycznie

po jego zwolnieniu. Nie wolno dopuścić do uderzenia drzwi w przednią część urządzenia.

- Po całkowitym wyciągnięciu górnego i dolnego kosza drzwi urządzenia utrzymają łączną masę koszy. Nie wolno bardziej obciążać drzwi, ponieważ może to spowodować przechylenie urządzenia.
- Nie wolno zmieniać parametrów technicznych urządzenia.
- Zapewnić drożność otworów wentylacyjnych.
- Po każdym użyciu urządzenie należy wyłączyć.
- Nie wolno obsługiwać urządzenia mokrymi rękoma.
- Nie wolno stawać na drzwiach urządzenia ani wywierać na nie nacisku.
- Nie wolno używać urządzenia jako powierzchni roboczej lub do przechowywania.
- Jeśli urządzenie zamontowano za płytą meblową (np. za drzwiami), należy upewnić się, że drzwi pozostaną otwarte podczas pracy urządzenia. Za płytą meblową może dochodzić do nagromadzenia ciepła i wilgoci, co w konsekwencji może być przyczyną uszkodzenia urządzenia, zabudowy lub podłogi. Nie wolno zamykać drzwi do momentu całkowitego ostygnięcia urządzenia po użyciu.
- Drzwi zmywarki mogą być otwarte wyłącznie podczas

umieszczania naczyń w środku lub ich wyjmowania. Nie wolno pozostawiać otwartych drzwi zmywarki, ponieważ grozi to potknięciem.

- Uszkodzenia powstałe wskutek nieprawidłowego użytkowania lub obsługi urządzenia nie podlegają odpowiedzialności ani roszczeniu gwarancyjnemu.
- Należy użyć nowego zestawu węży dostarczonego wraz z urządzeniem. Stare węże należy oddać do lokalnego punktu zbiórki odpadów.
- Nie wolno podejmować prób rozmontowania urządzenia. Uszkodzenia spowodowane nieprawidłową obsługą będą podstawą do odrzucenia roszczeń gwarancyjnych.
- Przed przystąpieniem do konserwacji należy wyłączyć urządzenie i odłączyć wtyczkę przewodu zasilającego od gniazda sieciowego.
- Po zamontowaniu urządzenia należy zapewnić możliwość jego odłączenia od źródła zasilania.
- Urządzenie należy regularnie czyścić, aby zapobiec pogorszeniu stanu powierzchni zewnętrznej.
- Do czyszczenia urządzenia nie wolno używać myjki parowej.
- Informacje na temat czyszczenia i konserwacji urządzenia znajdują się w rozdziale „Czyszczenie i konserwacja”.

## Podłączenie bezpośrednie

Wszystkie podłączenia muszą zostać wykonane przez wykwalifikowanego elektryka lub inną kompetentną osobę. Przed podłączeniem do zasilania sieciowego należy upewnić się, czy napięcie sieciowe odpowiada napięciu na tabliczce znamionowej.

- Urządzenie jest wyposażone we wtyczkę odpowiednią do użytku w danym kraju.
- Przewód nie może być zagięty ani przygnieciony.
- Należy regularnie sprawdzać przewód zasilania pod kątem uszkodzeń.



**OSTRZEŻENIE: URZĄDZENIE POSIADA KLASĘ OCHRONNOŚCI I, CO OZNACZA, ŻE MUSI BYĆ UZIEMIIONE.**

- Urządzenie jest dostarczane z 3-żyłowym przewodem zasilania o następujących kolorach:  
Brązowy = L (pod napięciem)  
Niebieski = N (neutralny)  
Zielony i żółty = E (uziemienie)
- **Należy wymienić bezpiecznik na 13 A (tylko Wielka Brytania) .**
- Aby ograniczyć do minimum ryzyko związane z użytkowaniem urządzenia elektrycznego, niezwykle ważne jest, aby produkt został prawidłowo zamontowany oraz aby użytkownik dokładnie zapoznał się z instrukcjami dotyczącymi bezpieczeństwa i unikał nieprawidłowej obsługi oraz związanych z tym zagrożeń. Należy zachować instrukcję obsługi w celu wykorzystania w przyszłości i przekazania jej kolejnym właścicielom. Po rozpakowaniu urządzenia upewnić się, że nie jest ono uszkodzone. W razie wątpliwości nie należy używać urządzenia, lecz skontaktować się z działem obsługi klienta.
- Producent nie ponosi żadnej odpowiedzialności za obrażenia ciała lub uszkodzenia mienia powstałe na skutek nieprawidłowego lub nieodpowiedniego montażu urządzenia. Wszelkie stałe instalacje elektryczne muszą być zgodne z najnowszymi przepisami dotyczącymi okablowania, obowiązującymi w danym kraju. Dla własnego bezpieczeństwa należy zlecić montaż instalacji elektrycznej wykwalifikowanemu elektrykowi lub wykonawcy.



## Dane techniczne

Wysokość (H)	845 mm
Szerokość (W)	448 mm
Głębokość (D1)	600 mm (przy zamkniętych drzwiach)
Głębokość (D2)	1175 mm (przy drzwiach otwartych pod kątem 90°)

<b>Nazwa dostawcy lub znak towarowy:</b> Kingfisher International Products Limited				
<b>Adres dostawcy (°):</b> Producent w Wielkiej Brytanii: Kingfisher International Products Limited, 3 Sheldon Square, London, W2 6PX, Wielka Brytania Producent na terenie UE: Kingfisher International Products B.V. Rapenburgerstraat 175E, 1011 VM Amsterdam, Holandia				
<b>Identyfikator modelu:</b> FS45DISHUK / FS45DISHEU				
<b>Ogólne parametry produktu:</b>				
Parametr	Wartość	Parametr	Wartość	
Liczba kompletów naczyń	10	Wymiary w cm	Wysokość	85
			Szerokość	45
			Głębokość	60
Wskaźnik efektywności energetycznej (EEI)	55,9	Klasa efektywności energetycznej (¹)	E (³)	
Wskaźnik wydajności zmywania (¹)	1,125	Wskaźnik wydajności suszenia (¹)	1,065	
Zużycie energii w kWh (na cykl) w oparciu o program Eco przy napełnieniu zimną wodą. Rzeczywiste zużycie energii będzie uzależnione od sposobu eksploatacji urządzenia.	0,755	Zużycie wody w litrach [na cykl] w oparciu o program Eco. Rzeczywiste zużycie wody będzie uzależnione od sposobu eksploatacji urządzenia oraz twardości wody.	9,0	
Czas trwania programu (¹) (godz.:min)	3:55	Typ	Produkt wolnostojący	
Poziom emitowanego hałasu (¹) (dB(A) re 1 pW)	49	Klasa emisji hałasu (¹)	C (³)	
Tryb wyłączenia (W)	0,49	Tryb gotowości (W)	Nie dot.	
Tryb opóźnionego uruchomienia (W) (w stosownym przypadku)	1,00	Tryb gotowości przy podłączeniu do sieci (W) (w stosownym przypadku)	Nie dot.	
<b>Minimalny czas trwania gwarancji oferowanej przez dostawcę (²): 2 lata</b>				
<b>Informacje dodatkowe:</b>				
Łącze do strony internetowej dostawcy, na której znajdują się informacje wymienione w punkcie 6 załącznika II do rozporządzenia Komisji (UE) 2019/2022 (⁴) (²), znajduje się na stronie: <a href="http://www.kingfisher.com/products">www.kingfisher.com/products</a>				
(¹) w przypadku programu Eco.				
(²) zmiany tych pozycji nie są uważane za istotne dla celów punktu 4 art. 4 rozporządzenia (UE) 2017/1369.				
(³) jeśli baza danych urządzeń automatycznie generuje ostateczną zawartość tej komórki, dostawca nie wprowadza tych danych.				
(⁴) rozporządzenie Komisji (UE) 2019/2022 z dnia 1 października 2019 r. ustanawiające wymogi EcoDesign dla zmywarek do naczyń dla gospodarstw domowych na podstawie dyrektywy 2009/125/WE Parlamentu Europejskiego i Rady, zmieniające rozporządzenie Komisji (WE) nr 1275/2008 oraz uchylające rozporządzenie Komisji (UE) nr 1016/2010 (patrz strona 267 niniejszego Dziennika Urzędowego).				

## Gwarancja

Przykładamy szczególną wagę do tego, aby wybierać materiały wysokiej jakości i stosować techniki produkcyjne, które umożliwiają tworzenie wytrzymałych, a zarazem atrakcyjnych produktów. Ten produkt ma gwarancję producenta na 2 lat, która obejmuje wady produkcyjne, począwszy od daty zakupu (zakup w sklepie) lub dostawy (zakup przez Internet) bez dodatkowych kosztów w przypadku normalnego (nieprofesjonalnego lub niekomercyjnego) użytku domowego.

Aby dokonać zgłoszenia reklamacyjnego, należy przedstawić dowód zakupu (np. paragon, fakturę lub inny dowód na mocy obowiązujących przepisów prawa). Dowód zakupu należy przechowywać w bezpiecznym miejscu. Gwarancja obejmuje produkty nowe; nie obejmuje produktów używanych lub z ekspozycji. Produkt zamienny objęty niniejszą gwarancją będzie nią objęty aż do wygaśnięcia okresu obowiązywania gwarancji oryginalnego produktu, chyba że określono inaczej w obowiązujących przepisach prawa.

Niniejsza gwarancja obejmuje wady i uszkodzenia produktu, pod warunkiem że produkt był używany zgodnie z przeznaczeniem oraz zamontowany, czyszczony i konserwowany zgodnie z informacjami zawartymi powyżej oraz w instrukcji obsługi, a także ze standardowymi praktykami (jeśli te praktyki nie są sprzeczne z instrukcją użytkownika).

Niniejsza gwarancja nie obejmuje wad ani uszkodzeń wynikających z normalnego zużycia lub uszkodzeń będących skutkiem niewłaściwego używania, montażu lub złożenia, a także zaniedbania, wypadku i modyfikacji produktu. Gwarancja nie obejmuje w żadnym wypadku dodatkowych kosztów (transportu, przenoszenia, montażu i demontażu, robocizny itd.) ani strat bezpośrednich lub pośrednich, chyba że określono inaczej w obowiązujących przepisach prawa.

Jeśli produkt jest wadliwy, we właściwym czasie naprawimy.

Prawa wynikające z tej gwarancji obowiązują w kraju, w którym zakupiono produkt. Zapytania dotyczące gwarancji powinno się kierować do sklepu, w którym zakupiono produkt.

Niniejsza gwarancja jest dokumentem dodatkowym, który nie ma wpływu na ustawowe prawa konsumenta.

Jeśli produkt zakupiono w Polsce, niniejsza gwarancja nie wyklucza, nie ogranicza ani nie zawieszają uprawnień wynikających z przepisów prawa dotyczących gwarancji na wady zakupionego towaru.

## WAŻNE – NALEŻY DOKŁADNIE PRZECZYTAĆ NINIEJSZE INFORMACJE I ZACHOWAĆ.

### RO Înainte de a începe

Aceste instrucțiuni sunt pentru siguranța ta. Citește cu atenție următoarele instrucțiuni înainte de montarea și utilizarea aparatului.



**AVERTISMENT:**  
TOATE LUCRĂRILE DE  
MONTARE TREBUIE  
REALIZATE DE O  
PERSOANĂ CALIFICATĂ  
CORESPUNZĂTOR,  
RESPECTÂND  
CU STRICTEȚE  
REGLEMENTĂRILE  
LOCALE PRIVIND  
CONSTRUCȚIILE ȘI  
ACESTE INSTRUCȚIUNI.

- Pentru a evita pericolele și riscurile utilizării greșite a unui echipament electric, este important ca această mașină de spălat vase să fie montată corect și să citești cu atenție instrucțiunile de siguranță. După despachetarea mașinii de spălat vase, verifică să nu fie deteriorată. Dacă ai îndoieli, nu

folosi aparatul, ci contactează serviciul de asistență clienți la 0800 895 099.

- Verifică ambalajul pentru a te asigura că ai toate piesele specificate, apoi stabilește locul adecvat pentru amplasarea produsului.
- Pe plăcuța cu specificații de pe aparat sunt afișate toate informațiile de identificare necesare pentru comandarea pieselor de schimb.
- Dacă vinzi, donezi sau lași aparatul montat când te muți, predă și acest manual noului proprietar, pentru ca acesta să se familiarizeze cu aparatul și cu avertismentele de siguranță.

## Siguranță

- Aparatul nu trebuie utilizat folosind un temporizator extern, întrerupător temporizat sau printr-o metodă separată de comandă de la distanță.
- Înainte de a folosi aparatul pentru prima dată, îndepărtează toate ambalajele și curăță toate piesele. Citește detaliile din secțiunea „Îngrijire și întreținere”.
- Instalarea trebuie efectuată în conformitate cu toate reglementările locale curente. Dacă ai dubii, contactează un profesionist.
- Înainte de montare, decide amplasarea corespunzătoare pentru produs.

- Nu utiliza aparatul afară, în băi sau medii umede ori în locuri în care se poate uda.
- A se ține la distanță de copiii cu vârsta sub 8 ani, cu excepția cazului în care sunt supravegheați în permanență.
- Nu lăsa acest aparat nesupravegheat în timp ce este în funcțiune.
- Folosește întotdeauna aparatul pe o suprafață stabilă, plană, curată, uscată și nealunecoasă.
- Acest aparat este destinat numai uzului casnic.
- Presiunea maximă de admisie a apei este de 1 MPa.
- Presiunea minimă de admisie a apei este de 0,04 MPa.



### **AVERTISMENT:**

**ACEST APARAT ESTE DESTINAT NUMAI CURĂȚĂRII VASELOR ȘI TACÂMURILOR. NU TREBUIE FOLOSIT ÎN NICIUN ALT SCOP, PRECUM CURĂȚAREA ÎMBRĂCĂMINTEI SAU A ÎNCĂLȚĂMINTEI, GĂTIREA LA ABUR A ALIMENTELOR SAU ALTE SARCINI SIMILARE.**



**AVERTISMENT: RISC DE INCENDIU SAU ELECTROCUTARE.**

- Acest aparat trebuie instalat numai de o persoană calificată.
- Nu instala sau nu folosi un aparat deteriorat.
- Urmează instrucțiunile de instalare furnizate odată cu aparatul.
- Ai întotdeauna grijă când muți aparatul, deoarece este greu. Folosește întotdeauna mănuși de protecție și încălțăminte nedecupată.
- Nu trage aparatul de mâner.
- Acest aparat este prevăzut cu un ștecăr adecvat pentru țara ta; înainte de a-l conecta la sursa de alimentare electrică, asigură-te că tensiunea rețelei corespunde cu tensiunea de pe plăcuța de identificare.
- Folosește întotdeauna o priză antișoc instalată corect.
- Nu folosi adaptoare multipriză și cabluri prelungitoare.
- Asigură-te că nu deteriorezi ștecărul și cablul de alimentare.
- Nu lăsa cablurile de alimentare să atingă sau să fie în apropierea ușii aparatului, în special când ușa este fierbinte.
- Conectează ștecărul la priză numai după terminarea montării. Asigură-te că ai acces la ștecăr după montare.
- Dacă priza este desprinsă, nu conecta ștecărul.
- Nu trage de cablul de alimentare pentru a deconecta aparatul. Trage întotdeauna de ștecăr.
- Verifică periodic cablul de alimentare, pentru a depista deteriorările. Dacă se deteriorează, cablul de alimentare trebuie înlocuit de producător, de agentul de service sau de persoane cu un nivel de calificare similar, pentru a evita un pericol.
- Acest aparat respectă directivele europene.
- Acest aparat poate fi folosit de copii cu vârsta de peste 8 ani și de persoane cu capacități fizice, senzoriale sau mintale reduse ori fără experiență și cunoștințe numai sub supraveghere sau dacă au beneficiat de instruire cu privire la utilizarea aparatului în siguranță și dacă înțeleg pericolele aferente. Curățarea și întreținerea de către utilizator nu trebuie efectuate de copii nesupravegheați. Nu lăsa aparatul și cablul de alimentare la îndemâna copiilor mai mici de 8 ani. Nu le permite copiilor să se joace cu acest aparat.



**AVERTISMENT: RISC DE RĂNIRE, ARSURI, ELECTROCUTARE ȘI EXPLOZIE.**



**AVERTISMENT: CUȚITELE ȘI ALTE USTENSILE CU VÂRFURI ASCUȚITE TREBUIE ÎNCĂRCATE ÎN COȘ CU VÂRFURILE ÎN JOS SAU ÎN POZIȚIE ORIZONTALĂ.**

- Nu deschide ușa aparatului când este în funcțiune decât dacă este necesar. Ai grijă la eliberarea de abur și apă fierbinte când trebuie să deschizi ușa.
- Nu lăsa substanțele chimice și detergenții pentru mașina de spălat vase la îndemâna copiilor sau a animalelor de companie. A nu se lăsa să intre în contact cu pielea și ochii. A nu se înghiți.
- Ușa este tensionată cu arc și se va închide automat când este eliberată; nu lăsa ușa să se trântască de partea din față a aparatului.
- Când tragi complet în afară coșul superior și inferior, ușa produsului va suporta toată greutatea coșurilor. Nu pune alte greutăți pe ușa, deoarece produsul se poate înclina.
- Nu modifica specificațiile acestui aparat.
- Asigură-te că orificiile de ventilație nu sunt blocate.
- Dezactivează dispozitivul după fiecare utilizare.
- Nu folosi aparatul cu mâinile umede.
- Nu te așeza și nu aplica presiune pe ușa deschisă.
- Nu utiliza aparatul ca suprafață de lucru sau de depozitare.
- Dacă aparatul este instalat în spatele unui panou de mobilier (de ex., o ușa) asigură-te că ușa nu este închisă niciodată când aparatul este în funcțiune. În spatele unui panou de mobilier închis se pot acumula căldură și umezeală, ce pot provoca deteriorarea ulterioară a aparatului, carcasei sau pardoselii. Nu închide panoul de mobilier până când aparatul nu s-a răcit complet după utilizare.
- Nu lăsa niciodată ușa produsului deschisă, decât în timpul procedurilor de încărcare și descărcare. Ușa nu trebuie lăsată deschisă deoarece acest lucru poate reprezenta un pericol de împiedicare.
- Nu ne vom asuma nicio responsabilitate sau cerere de garanție pentru pagube care rezultă din utilizarea sau manevrarea necorespunzătoare a aparatului.
- Trebuie utilizate noile seturi de furtunuri furnizate împreună cu aparatul. Seturile de furtunuri vechi nu trebuie reutilizate, ci trebuie eliminate la centrul local de reciclare.
- Nu încerca niciodată să dezassemblezi aparatul. Nu sunt acceptate cereri de garanție pentru pagube provocate de manevrarea necorespunzătoare.
- Înainte de lucrările de întreținere, dezactivează aparatul și scoate ștecărul din priză.
- Permite deconectarea aparatului de la alimentare după instalare.
- Curăță aparatul regulat pentru a preveni deteriorarea materialului suprafeței.

- Nu folosi un aparat de curățare cu aburi pentru curățarea aparatului.
- Consultă secțiunea „Îngrijire și întreținere” pentru curățarea și întreținerea aparatului.

## Conexiune directă

Instalarea trebuie realizată în totalitate de o persoană competentă sau de un electrician calificat. Înainte de conectarea la rețeaua electrică, asigură-te că tensiunea de alimentare a rețelei corespunde cu cea de pe plăcuța de identificare.

- Acest aparat este prevăzut cu un ștecăr montat, adecvat pentru a fi utilizat în țara ta.
- Cablul nu trebuie îndoit sau presat.
- Verifică periodic cablul de alimentare, pentru a depista deteriorările.



**AVERTISMENT: AC1ESTA ESTE UN APARAT CLASA I ȘI TREBUIE ÎMPĂMÂNTAT.**

- Acest aparat este echipat cu un cablu de alimentare cu 3 fire, colorate după cum urmează:  
Maro = L sau Fază  
Albastru = N sau Nul  
Verde și galben = E sau Împământare
- **Siguranța de schimb trebuie să aibă 13 amperi (numai în Regatul Unit).**
- Pentru a evita pericolele și riscurile utilizării greșite a unui echipament electric, este important ca acest aparat să fie montat corect și să citești cu atenție instrucțiunile de siguranță. Păstrează acest manual de instrucțiuni pentru consultare ulterioară și predă-l proprietarilor viitori. După despachetarea aparatului, verifică să nu fie deteriorat. Dacă ai dubii, nu folosi aparatul, ci contactează serviciul de asistență clienți.
- Producătorul nu își asumă răspunderea pentru leziunile corporale sau daunele materiale rezultate din utilizarea sau montarea incorectă a acestui aparat. Toate instalațiile electrice permanente trebuie să fie conforme cu cele mai recente reglementări de cablare aplicabile la nivel național, iar pentru siguranța ta instalarea electrică trebuie realizată de un electrician sau contractant calificat.

## Date tehnice

Înălțime (H)	845 mm
Lățime (l)	448 mm
Adâncime (A1)	600 mm (cu ușa închisă)
Adâncime (D2)	1 175 mm (cu ușa deschisă la 90°)

<b>Denumirea sau marca comercială a furnizorului:</b> Kingfisher International Products Limited				
<b>Adresa furnizorului</b> <sup>(p)</sup> : Producător Regatul Unit: Kingfisher International Products Limited 3 Sheldon Square, Londra, W2 6PX, Regatul Unit Producător UE: Kingfisher International Products B.V. Rapenburgerstraat 175E, 1011 VM Amsterdam, Țările de Jos				
<b>Cod de identificare a modelului:</b> FS45DISHUK / FS45DISHEU				
<b>Parametri generali ai produsului:</b>				
Parametru	Valoare	Parametru	Valoare	
Seturi de vase	10	Dimensiuni în cm	Înălțime	85
			Lățime	45
			Adâncime	60
Indice de eficiență energetică (EEI)	55,9	Clasă de eficiență energetică <sup>(1)</sup>	E <sup>(3)</sup>	
Indice performanță de curățare <sup>(1)</sup>	1,125	Indice performanță de uscare <sup>(1)</sup>	1,065	
Consum de energie în kWh [per ciclu], pe baza programului eco, folosind apă rece. Consumul efectiv de energie va depinde de modul în care este folosit aparatul.	0,755	Consum de apă în litri [per ciclu], pe baza programului eco. Consumul efectiv de apă va depinde de modul în care este folosit aparatul și de duritatea apei.	9	
Durată program <sup>(1)</sup> (h:min)	3:55	Tip	Autonom	
Emisii de zgomot transmis prin aer <sup>(1)</sup> (dB(A) re 1 pW)	49	Clasă emisii de zgomot transmis prin aer <sup>(1)</sup>	C <sup>(3)</sup>	
Mod oprit (W)	0,49	Mod Standby (W)	Nu se aplică	
Pornire întârziată (W) (dacă se aplică)	1	Standby în rețea (W) (dacă se aplică)	Nu se aplică	
<b>Durata minimă a garanției oferite de furnizor</b> <sup>(2)</sup> : 2 ani				
<b>Informații suplimentare:</b>				
Linkul către site-ul furnizorului, unde se găsesc informațiile de la punctul 6 al Anexei II la Regulamentul Comisiei (UE) 2019/2022 <sup>(4)</sup> <sup>(2)</sup> este: <a href="http://www.kingfisher.com/products">www.kingfisher.com/products</a>				
<sup>(1)</sup> pentru programul eco.				
<sup>(2)</sup> modificările acestor elemente nu vor fi considerate relevante în sensul articolului 4, alineatul 4 din Regulamentul (UE) 2017/1369.				
<sup>(3)</sup> dacă baza de date a produselor generează automat conținutul definitiv al acestei celule, furnizorul nu trebuie să introducă aceste date.				
<sup>(4)</sup> Regulamentul Comisiei (UE) 2019/2022 din 1 octombrie 2019 care stipulează cerințele de proiectare ecologică pentru mașini de spălat vase pentru uz casnic, potrivit Directivei 2009/125/CE a Parlamentului European și a Consiliului care modifică Regulamentul Comisiei (CE) nr. 1275/2008 și anulează Regulamentul Comisiei (UE) nr. 1016/2010 (consultă pagina 267 din Jurnalul oficial).				

## Garanție

Avem o grijă deosebită să selectăm materiale de înaltă calitate și să utilizăm tehnici de fabricare care ne permit să creăm produse care încorporează designul și durabilitatea. Acest produs Mașină de spălat vase beneficiază de garanție din partea producătorului de 2 ani pentru defectele de fabricație, de la data achiziției (dacă este cumpărat din magazin) sau de la data livrării (dacă este cumpărat online), fără niciun cost suplimentar pentru uz casnic normal (nu profesional sau comercial).

Pentru a efectua o solicitare în temeiul acestei garanții, trebuie să prezentați dovada achiziției (cum ar fi, chitanța de vânzare/bonul fiscal, factura de achiziție sau alte dovezi admisibile conform legii aplicabile); vă rugăm să păstrați dovada achiziției într-un loc sigur. Pentru ca această garanție să se aplice, produsul achiziționat trebuie să fie nou, garanția neaplicându-se pentru produse la mâna a doua sau produse de prezentare. Cu excepția cazului în care legislația aplicabilă prevede altfel, orice produs înlocuitor livrat în baza prezentei garanții va beneficia de garanție doar până la expirarea perioadei inițiale de garanție.

Prezenta garanție acoperă defecțiunile produsului și erorile de funcționare, cu condiția ca produsul să fi fost utilizat în scopul prevăzut și să fi fost instalat, curățat, îngrijit și întreținut în conformitate cu informațiile conținute în termenii și condițiile prezente, manualul de utilizare și practicile standard, cu condiția ca practicile standard să nu fie în contradicție cu manualul de utilizare.

Această garanție nu acoperă defectele și deteriorările provocate de uzura normală sau daunele care pot fi rezultatul utilizării necorespunzătoare, instalării sau asamblării defectuoase, neglijenței, accidentelor, utilizării greșite sau modificărilor aduse produsului. Cu excepția cazului în care legislația aplicabilă prevede altfel, prezenta garanție nu va acoperi, în niciun caz, costurile suplimentare (de expediere, deplasare, dezinstalare și reinstalare, manoperă etc.) sau daunele directe și indirecte.

Excluderile nu trebuie să fie atât de semnificative încât să anuleze garanția, să facă prevederile acesteia irelevante sau înșelătoare. De ex., o garanție de 10 ani pentru un paravan de baie/duș care exclude sticla și limitează acoperirea doar la balamale/elemente de fixare. Aceste tipuri de garanții sunt interzise. Dacă aveți îndoieli, contactați OSC Legal.

Dacă produsul este defect, vom proceda, într-un timp rezonabil, la repararea.

Drepturile acoperite de această garanție sunt aplicabile în țara în care ați achiziționat produsul.

Întrebările legate de garanție trebuie adresate magazinului de la care ați achiziționat produsul.

Garanția este suplimentară drepturilor dvs. legale și nu le afectează.

Dacă achiziționați acest produs din Turcia sau România, veți primi o garanție.

## IMPORTANT – PĂSTRAȚI ACESTE INFORMAȚII PENTRU REFERINȚE VIITOARE: CITIȚI CU ATENȚIE.

### ES

#### Antes de empezar

Estas instrucciones son para su propia seguridad. Lea las instrucciones detenidamente antes de proceder con la instalación y el uso de este aparato.



#### ADVERTENCIA:

TODO EL TRABAJO DE INSTALACIÓN DEBE REALIZARLO UNA PERSONA DEBIDAMENTE CUALIFICADA QUE SIGA ESTRICTAMENTE LAS NORMATIVAS LOCALES DE CONSTRUCCIÓN Y ESTAS INSTRUCCIONES.



- Para evitar los riesgos siempre presentes al utilizar un aparato eléctrico, es importante instalar correctamente este lavavajillas y leer atentamente las instrucciones de seguridad para evitar un mal uso y situaciones peligrosas. Después de desembalar el lavavajillas, compruebe que no está dañado. En caso de duda, no utilice el aparato y póngase en contacto con el servicio de atención al cliente 800 098 794 (España).
- Compruebe el paquete, asegúrese de que tiene todas las piezas indicadas y decida el lugar apropiado para instalarlo.
- En la placa de especificaciones de este aparato se indica toda la información de identificación necesaria para realizar pedidos de piezas de recambio.
- Si vende, cede o deja instalado el aparato al mudarse de casa, asegúrese de entregar también este manual para que el nuevo propietario pueda familiarizarse con el aparato y las advertencias de seguridad.
- Antes de utilizar el aparato por primera vez, retire todo el embalaje y limpie todas las piezas. Consulte la información detallada que aparece en la sección “Cuidado y mantenimiento”.
- La instalación debe realizarse de conformidad con todas las normativas locales vigentes. En caso de duda, póngase en contacto con un profesional.
- Antes de la instalación, decida la ubicación adecuada para el producto.
- No utilice este aparato en exteriores, cuartos de baño, entornos húmedos ni lugares donde pueda mojarse.
- Los niños menores de 8 años deben mantenerse alejados o bajo estrecha supervisión.
- No deje el aparato sin vigilancia mientras esté en uso.
- Utilice siempre el aparato sobre una superficie estable, plana, limpia, seca y antideslizante.
- Este aparato es solo para uso doméstico.
- La presión máxima del agua de entrada es de 1 MPa.
- La presión mínima del agua de entrada es de 0,04 MPa.

## Seguridad

- Este aparato no debe utilizarse con un temporizador externo, un interruptor temporizador ni un sistema de control remoto independiente.



**ADVERTENCIA:**  
ESTE APARATO ES SOLAMENTE PARA LA LIMPIEZA DE LA VAJILLA Y DE LA CUBERTERÍA. NO SE DEBE UTILIZAR PARA NINGÚN OTRO FIN, COMO LA LIMPIEZA DE ZAPATOS, ROPA, PARA COCINAR ALIMENTOS AL VAPOR U OTRAS TAREAS SIMILARES.



**ADVERTENCIA:**  
RIESGO DE INCENDIO Y DESCARGA ELÉCTRICA.

- Solo una persona cualificada puede instalar el aparato.
- No instale ni utilice un aparato dañado.
- Siga las instrucciones de instalación proporcionadas con el aparato.
- Tenga siempre cuidado al mover el aparato, ya que es pesado. Utilice siempre guantes de seguridad y calzado cerrado.
- No tire nunca del aparato por el tirador.
- Este aparato está equipado con un enchufe adecuado para su país. Antes de conectar el suministro eléctrico, asegúrese de que la tensión de la red se corresponde con la indicada en la placa de especificaciones técnicas.
- Utilice siempre una toma con aislamiento.
- No utilice adaptadores de enchufes múltiples ni alargadores.
- Asegúrese de no provocar daños en el enchufe ni en el cable de alimentación.
- No permita que los cables toquen o queden cerca de la puerta para módulo del electrodoméstico, especialmente cuando la puerta esté caliente.
- Conecte el enchufe a la toma de corriente solo al final de la instalación. Asegúrese de que hay acceso al enchufe de la red eléctrica después de la instalación.
- Si la toma de corriente está floja, no conecte el enchufe.
- No tire del cable de corriente para desconectar el aparato. Tire siempre del enchufe.
- Compruebe regularmente el cable de alimentación en busca de daños. Si el cable de alimentación está dañado, debe ser sustituido por el fabricante, su distribuidor local o una persona de cualificación similar para evitar situaciones de peligro.
- Este aparato cumple las directivas europeas.
- Este aparato lo pueden usar niños a partir de 8 años y personas con capacidades físicas, sensoriales o mentales

reducidas, así como personas sin experiencia ni conocimientos, si se les ha supervisado o instruido acerca del uso del aparato de una forma segura y comprenden los riesgos que conlleva. Los niños no pueden realizar labores de limpieza ni de mantenimiento del aparato sin estar supervisados. Mantenga el aparato y el cable de alimentación fuera del alcance de los niños menores de 8 años. Los niños no deben jugar con el aparato.



**ADVERTENCIA:**  
RIESGO DE LESIONES,  
QUEMADURAS  
Y DESCARGAS  
ELÉCTRICAS O  
EXPLOSIÓN.



**ADVERTENCIA:**  
LOS CUCHILLOS Y  
OTROS UTENSILIOS  
CON BORDES  
AFILADOS DEBEN  
COLOCARSE EN EL  
CESTO CON LAS  
PUNTAS HACIA ABAJO  
O EN POSICIÓN  
HORIZONTAL.

- No abra la puerta del aparato cuando esté funcionando, a menos que sea necesario. Cuando necesite abrir la puerta, tenga cuidado con el vapor y el agua caliente que se desprenderán.
- Mantenga todos los productos químicos y detergentes para el lavavajillas fuera del alcance de niños y mascotas. No permita que entren en contacto con la piel ni los ojos. No ingerir.
- La puerta cuenta con muelles y se cierra automáticamente cuando se suelta; no deje que golpee contra la parte delantera del aparato.
- Cuando saque por completo los cestos superior e inferior, la puerta del producto tendrá que soportar todo peso de los cestos. No coloque otras cargas en la puerta, ya que el producto podría inclinarse.
- No modifique las especificaciones de este aparato.
- Asegúrese de que las aberturas de ventilación no están bloqueadas.
- Desactive el aparato después de cada uso.
- No maneje el aparato con las manos mojadas.
- No ejerza presión sobre la puerta abierta ni se suba en ella.
- No utilice el aparato como superficie de trabajo o almacenaje.
- Si el aparato está instalado detrás de un panel embellecedor (por ejemplo, una puerta), asegúrese de que la puerta nunca esté cerrada cuando el aparato esté en funcionamiento. El calor y la humedad se pueden acumular detrás del

panel cerrado y causar daños posteriores al aparato, a la unidad que lo aloja o al suelo. No cierre el panel embellecedor hasta que el aparato se haya enfriado completamente después de su uso.

- No deje la puerta del aparato abierta, excepto durante los procedimientos de carga y descarga. La puerta no debe dejarse abierta, ya que podría suponer un riesgo de tropiezo.
- No se admite ninguna responsabilidad ni reclamaciones de garantía por los daños derivados de un uso incorrecto o la manipulación incorrecta del aparato.
- Deben utilizarse los kits de mangueras nuevos que se suministran con el aparato; los kits de mangueras viejos no deben reutilizarse y deben desecharse en el centro de reciclaje local.
- No intente nunca desmontar el aparato. No se aceptan reclamaciones de garantía por daños ocasionados por una manipulación incorrecta.
- Antes de realizar el mantenimiento, apague el aparato y desconecte el enchufe de la toma de corriente.
- Permita que el aparato se pueda desconectar de la red eléctrica después de la instalación.
- Limpie el aparato con regularidad para evitar el deterioro del material de la superficie.

- No utilice un limpiador a vapor en este aparato.
- Consulte la sección “Cuidado y mantenimiento” para obtener información sobre la limpieza y el mantenimiento del aparato.

## Conexión directa

Toda la instalación debe realizarla una persona con los debidos conocimientos o un electricista formado. Antes de conectar la corriente eléctrica, asegúrese de que la tensión de la red se corresponde con la indicada en la placa de especificaciones técnicas.

- Este aparato se suministra con un enchufe adecuado para el uso en su país.
- El cable no debe doblarse ni comprimirse.
- Compruebe regularmente el cable de alimentación en busca de daños.



**ADVERTENCIA: ESTE ES UN APARATO DE CLASE I Y DEBE CONECTARSE A TIERRA.**

- Este aparato se suministra con un cable de alimentación de 3 hilos con los siguientes colores:  
Marrón = L o fase  
Azul = N o neutro  
Verde y amarillo = E o tierra
- **El fusible de repuesto debe ser de 13 amperios (solo en Reino Unido).**
- Para evitar los riesgos que existen cuando se utiliza un aparato eléctrico, es importante instalar correctamente el dispositivo y leer atentamente las instrucciones de seguridad para evitar un uso incorrecto y cualquier peligro. Conserve este manual de instrucciones para consultarlo en el futuro y entréguelo a cualquier propietario posterior. Después de desembalar el aparato, compruebe que no esté dañado. En caso de duda, no utilice el aparato y póngase en contacto con el servicio de atención al cliente.
- El fabricante rechaza toda responsabilidad por las lesiones personales o daños materiales que resulten de la instalación inadecuada o incorrecta del aparato. Las instalaciones eléctricas permanentes deben cumplir con las últimas normas de instalación de su país y, para su propia seguridad, deberían realizarlas electricistas o contratistas cualificados.

## Datos técnicos

Altura (Al)	845 mm
Anchura (An)	448 mm
Profundidad (P1)	600 mm (con la puerta cerrada)
Profundidad (P2)	1175 mm (con la puerta abierta 90°)

<b>Nombre o marca comercial del proveedor:</b> Kingfisher International Products Limited				
<b>Dirección del proveedor ( <sup>b</sup> ):</b> Fabricante en el Reino Unido: Kingfisher International Products Limited, 3 Sheldon Square, London, W2 6PX, Reino Unido Fabricante en la UE: Kingfisher International Products B.V. Rapenburgerstraat 175E, 1011 VM Amsterdam, Países Bajos				
<b>Identificador de modelo:</b> FS45DISHUK/FS45DISHEU				
<b>Parámetros generales del producto:</b>				
Parámetro	Valor	Parámetro	Valor	
Número de cubiertos	10	Dimensiones en cm	Altura	85
			Anchura	45
			Profundidad	60
Índice de eficiencia energética (EEI)	55,9	Clase de eficiencia energética ( <sup>1</sup> )	E ( <sup>3</sup> )	
Índice de rendimiento de limpieza ( <sup>1</sup> )	1,125	Índice de rendimiento de secado ( <sup>1</sup> )	1,065	
Consumo de energía en kWh [por ciclo], si se utiliza el programa ECO con llenado de agua fría. El consumo de energía real dependerá de cómo se utilice el aparato.	0,755	Consumo de agua en litros [por ciclo], si se utiliza el programa ECO. El consumo real de agua dependerá de cómo se utilice el aparato y de la dureza del agua.	9,0	
Duración del programa ( <sup>1</sup> ) (h:min)	3:55	Tipo	De libre instalación	
Ruido aéreo emitido ( <sup>1</sup> ) (dB(A) re 1 pW)	49	Clase de ruido aéreo emitido ( <sup>1</sup> )	C ( <sup>3</sup> )	
Modo apagado (W)	0,49	Modo de espera (W)	N/D	
Inicio diferido (W) (si procede)	1,00	Modo de espera en red (W) (si procede)	N/D	
<b>Duración mínima de la garantía ofrecida por el fabricante ( <sup>2</sup> ): 2 años</b>				
<b>Información adicional:</b>				
Enlace al sitio web del proveedor, donde se encuentra la información contenida en el punto 6 del Anexo II del Reglamento (UE) 2019/2022 de la Comisión ( <sup>4</sup> ) ( <sup>2</sup> ): <a href="http://www.kingfisher.com/products">www.kingfisher.com/products</a>				
( <sup>1</sup> ) Para el programa ECO.				
( <sup>2</sup> ) Las modificaciones de estos elementos no se considerarán pertinentes a efectos del punto 4 del Artículo 4 del Reglamento (UE) 2017/1369.				
( <sup>3</sup> ) Si la base de datos de productos genera automáticamente el contenido definitivo de esta celda, el proveedor no introducirá estos datos.				
( <sup>4</sup> ) Reglamento (UE) 2019/2022 de la Comisión del 1 de octubre de 2019, por el que se establecen los requisitos de diseño ecológico aplicables a los lavavajillas domésticos de conformidad con la Directiva 2009/125/CE del Parlamento Europeo y del Consejo por la que se modifica el Reglamento (CE) n.º 1275/2008 de la Comisión y se deroga el Reglamento (UE) n.º 1016/2010 de la Comisión (véase la página 267 del presente Diario Oficial).				

## Garantía

Nos ocupamos especialmente en seleccionar materiales de alta calidad y usar técnicas de fabricación que nos permitan crear productos que aporten diseño y durabilidad. Este producto tiene una garantía del fabricante de 2 años frente a defectos de fabricación, a partir de la fecha de adquisición (si se adquiere en una tienda) o de entrega (si se adquiere por Internet), sin coste adicional para uso normal doméstico (ni profesional ni comercial).

Para presentar una reclamación en el marco de esta garantía, deberá presentar el comprobante de compra (como un recibo, factura de compra u otras pruebas admisibles en virtud de la ley aplicable); conserve su comprobante de compra en un lugar seguro. Para poder acogerse a esta garantía, el producto adquirido deberá ser nuevo; la garantía no se aplicará a productos de segunda mano o productos de exposición. A menos que la legislación vigente indique lo contrario, todo producto de sustitución entregado conforme a esta garantía estará cubierto solo hasta la fecha de vencimiento de la garantía original.

La presente garantía cubre los fallos y anomalías del producto siempre y cuando este se haya utilizado para los fines para los que está destinado y que su instalación, limpieza, cuidado y mantenimiento se hayan efectuado de conformidad tanto con la información descrita en estos términos y condiciones y en el manual del usuario, como con la práctica habitual, siempre y cuando esta no entre en conflicto con el contenido del manual de usuario.

Esta garantía no cubre defectos ni daños causados por el desgaste normal, ni daños que pudiesen ser resultado de usos indebidos, instalaciones o montajes deficientes, negligencia, accidente, uso indebido o modificación del producto. A menos que se indique lo contrario en la ley aplicable, esta garantía no cubre, bajo ningún concepto, los gastos accesorios (transporte, movimiento, costes de desinstalación y reinstalación, mano de obra, etc.) ni los daños directos o indirectos.

Si el producto es defectuoso, procederemos, en un plazo razonable, a su reparación.

Los derechos en virtud de esta garantía tendrán vigencia en el país donde haya adquirido el producto. Las consultas relacionadas con la garantía deberán dirigirse a la tienda en la que adquirió el producto. La garantía es complementaria y no afecta a sus derechos legales.

Si adquirió este producto en España, el distribuidor será responsable de las faltas de conformidad del producto según las disposiciones establecidas en los artículos 114 a 124 del Real Decreto Legislativo 1/2007, con fecha del 16 de noviembre, por el que se aprueba el texto refundido de la Ley General para la Defensa de los Consumidores y Usuarios y otras leyes complementarias.

## IMPORTANTE – GUARDE ESTA INFORMACIÓN PARA FUTURAS CONSULTAS: LEA ATENTAMENTE.

PT

### Antes de começar

Estas instruções são para sua segurança. Leia as seguintes instruções cuidadosamente antes de avançar com a instalação e a utilização deste aparelho.



**AVISO: QUALQUER  
TRABALHO DE  
INSTALAÇÃO TEM  
DE SER EFETUADO  
POR UMA PESSOA  
DEVIDAMENTE  
QUALIFICADA,  
SEGUINDO  
RIGOROSAMENTE  
OS REGULAMENTOS  
LOCAIS DE  
CONSTRUÇÃO E ESTAS  
INSTRUÇÕES.**

- Para evitar os riscos que estão sempre presentes quando utiliza um aparelho elétrico, é importante que esta máquina de lavar louça esteja instalada corretamente e que leia as instruções de segurança cuidadosamente para evitar utilizações indevidas e perigos. Depois de desembalar a máquina de lavar louça, verifique se não está danificada. Em caso de dúvida, não utilize o aparelho. Entre em contacto com o serviço de atendimento ao cliente através do 800 814 566.
- Verifique a embalagem para confirmar se tem todas as peças listadas e decida qual a localização adequada para o seu produto.
- Esta placa de especificações, exibida neste aparelho, apresenta todas as informações de identificação necessárias para encomendar peças de substituição.
- Se vender o aparelho, o oferecer ou o deixar ao próximo morador quando mudar de casa, certifique-se de que entrega este manual, para que o novo proprietário se possa familiarizar com o aparelho e os respetivos avisos de segurança.

## Segurança

- Este aparelho não pode ser utilizado com um temporizador externo, um comutador horário ou um sistema de comando à distância em separado.
- Antes de utilizar o aparelho pela primeira vez, remova todos os materiais de embalagem e limpe todas as peças. Consulte os detalhes fornecidos na secção “Cuidados e manutenção”.
- A instalação tem de ser realizada em conformidade com todos os regulamentos locais atuais. Em caso de dúvida, entre em contacto com um profissional.
- Antes da instalação, escolha o local adequado para o produto.
- Não utilize este aparelho no exterior, em casas de banho ou ambientes húmidos ou em locais onde possa ficar molhado.
- Mantenha fora do alcance de crianças menores de 8 anos, a não ser que estas sejam continuamente vigiadas.
- Não deixe o aparelho sem vigilância enquanto está a ser utilizado.
- Utilize o aparelho sempre sobre uma superfície estável, plana, seca e antiderrapante.
- O aparelho é exclusivo para uso doméstico.
- A pressão máxima da água de entrada é de 1 MPa.
- A pressão mínima da água de entrada é de 0,04 MPa.





**AVISO:** ESTE APARELHO DESTINA-SE APENAS À LIMPEZA DE LOUÇAS E TALHERES. NÃO PODE SER UTILIZADO PARA OUTROS FINS, COMO A LAVAGEM DE ROUPAS OU SAPATOS, A COZEDURA DE ALIMENTOS A VAPOR OU OUTRAS TAREFAS SEMELHANTES.



**AVISO:** RISCO DE INCÊNDIO E DE CHOQUE ELÉTRICO.

- Apenas uma pessoa qualificada pode instalar este aparelho.
- Não instale ou utilize um aparelho danificado.
- Siga as instruções de instalação fornecidas com o aparelho.
- Tenha sempre cuidado ao mover o aparelho, pois é pesado. Utilize sempre luvas de segurança e calçado fechado.
- Não puxe o aparelho pelo puxador.
- Este aparelho está equipado com uma ficha de alimentação adequada ao seu país. Antes de ligar à alimentação elétrica, certifique-se de que a tensão da rede elétrica corresponde à tensão indicada na placa de classificação.
- Utilize sempre uma tomada à prova de choques instalada corretamente.
- Não utilize adaptadores de várias fichas e cabos de extensão.
- Certifique-se de que não danifica a ficha e o cabo de alimentação.
- Não deixe que os cabos de alimentação toquem ou se aproximem da porta do aparelho, especialmente quando a porta estiver quente.
- Ligue a ficha de alimentação à tomada de alimentação apenas no final da instalação. Certifique-se de que é possível aceder à ficha de alimentação após a instalação.
- Se a tomada da rede elétrica estiver solta, não ligue a ficha de alimentação.
- Não puxe pelo cabo de alimentação para desligar o aparelho. Puxe sempre pela ficha de alimentação.
- Verifique regularmente se existem danos no cabo elétrico. Se o cabo de alimentação estiver danificado, deve ser substituído pelo fabricante, pelo respetivo técnico de assistência ou por pessoal devidamente qualificado a fim de evitar situações de perigo.
- Este aparelho está em conformidade com as diretivas europeias.



- Este aparelho pode ser utilizado por crianças com idade igual ou superior a 8 anos e por pessoas com capacidades físicas, sensoriais ou mentais reduzidas, ou com falta de experiência e conhecimento, caso lhes seja disponibilizada supervisão ou instruções relativas à utilização segura do aparelho e se tiverem sido alertadas para os perigos envolvidos. A limpeza e a manutenção por parte do utilizador não podem ser efetuadas por crianças sem supervisão. Mantenha o aparelho e o respetivo cabo fora do alcance de crianças com idade inferior a 8 anos. As crianças não devem brincar com o aparelho.
- Não abra a porta do aparelho durante o funcionamento, exceto se for necessário. Tenha cuidado com a libertação de vapor e água quente quando precisar de abrir a porta.
- Mantenha todos os produtos químicos e detergentes da máquina de lavar louça fora do alcance de crianças e animais de estimação. Não permita que estes entrem em contacto com a pele e os olhos. Não ingerir.
- A porta dispõe de uma mola e fecha automaticamente quando libertada. Não deixe a porta bater contra a parte frontal do aparelho.
- Quando puxa os cestos superior e inferior completamente para fora, a porta do produto suporta todo o peso dos cestos. Não coloque outras cargas sobre a porta, pois o produto poderá inclinar-se.
- Não altere as especificações deste aparelho.
- Certifique-se de que as aberturas de ventilação não estão bloqueadas.
- Desative o aparelho depois de cada utilização.
- Não utilize o aparelho com as mãos molhadas.
- Não suporte o seu peso nem aplique pressão na porta aberta.
- Não utilize o aparelho como superfície de trabalho ou como superfície de armazenamento.



**AVISO: RISCO DE FERIMENTOS, QUEIMADURAS E CHOQUES ELÉTRICOS OU EXPLOÇÃO.**



**AVISO: AS FACAS E OUTROS UTENSÍLIOS PONTIAGUDOS TÊM DE SER CARREGADOS NO CESTO COM AS PONTAS VOLTADAS PARA BAIXO OU COLOCADOS NUMA POSIÇÃO HORIZONTAL.**

- Se o aparelho for instalado atrás de um painel para móveis (por exemplo, uma porta) certifique-se de que a porta nunca está fechada enquanto o aparelho está em funcionamento. O calor e a humidade podem acumular-se atrás de um painel para móveis fechado e causar danos subsequentes ao aparelho, ao módulo de encastrar ou ao pavimento. Não feche o painel para móveis antes de o aparelho arrefecer completamente após a utilização.
- Nunca deixe a porta do produto aberta, exceto durante a colocação e remoção de itens no seu interior. Não deve manter a porta na posição aberta, pois pode representar um perigo de tropeçamento.
- Não será aceite qualquer responsabilidade ou reclamação ao abrigo da garantia em caso de danos decorrentes de uma má utilização ou de um manuseamento incorreto do aparelho.
- Os novos conjuntos de mangueiras fornecidos com o aparelho devem ser utilizados em vez dos conjuntos de mangueiras antigos, que devem ser eliminados através do centro de reciclagem local.
- Nunca tente desmontar o aparelho. Não são aceites reclamações ao abrigo da garantia por danos causados devido a um manuseamento inadequado.
- Antes de efetuar a manutenção, desative o aparelho e desligue a ficha da tomada elétrica.
- Após a instalação, desligue o aparelho da alimentação.
- Limpe o aparelho regularmente para evitar a deterioração do material da superfície.
- Não utilize um dispositivo de limpeza a vapor para limpar este aparelho.
- Consulte a secção Cuidados e manutenção para obter informações sobre a limpeza e a manutenção do aparelho.

## Ligação direta

A instalação tem de ser efetuada por uma pessoa competente ou por um electricista qualificado. Antes de ligar à rede elétrica, certifique-se de que a tensão da rede corresponde à tensão na placa de classificação.

- Este aparelho é fornecido com uma ficha adequada ao seu país.
- O cabo não pode ser dobrado nem comprimido.
- Verifique regularmente se existem danos no cabo elétrico.



**AVISO: ESTE É UM APARELHO DE CLASSE I E TEM DE ESTAR LIGADO À TERRA.**

- Este aparelho é fornecido com um cabo de alimentação de 3 núcleos, colorido da seguinte forma:  
Castanho = L ou fase  
Azul = N ou neutro  
Verde e amarelo = E ou terra
- **O fusível sobresselente tem de estar classificado como 13 A (apenas para o Reino Unido).**
- Para evitar os riscos que estão sempre presentes quando utiliza um aparelho elétrico, é importante que este aparelho esteja instalado corretamente e que leia as instruções de segurança cuidadosamente para evitar utilizações indevidas e perigos. Guarde este manual de instruções para consulta futura e entregue-o a futuros proprietários. Depois de desembalar o aparelho, verifique se não está danificado. Em caso de dúvida, não utilize o aparelho e entre em contacto com o serviço de atendimento ao cliente.
- O fabricante está isento de qualquer responsabilidade por danos pessoais ou materiais resultantes de uma instalação incorreta ou inadequada do aparelho. Qualquer instalação elétrica permanente tem de estar em conformidade com a mais recente regulamentação aplicável a cablagem para o seu país e, para a sua própria segurança, a instalação elétrica deve ser efetuada por um electricista qualificado ou um empreiteiro.

## Dados técnicos

Altura (A)	845 mm
Largura (L)	448 mm
Profundidade (P1)	600 mm (com a porta fechada)
Profundidade (P2)	1175 mm (com a porta aberta em 90°)

<b>Nome ou marca comercial do fornecedor:</b> Kingfisher International Products Limited				
<b>Endereço do fornecedor</b> <sup>(b)</sup> : Fabricante no Reino Unido: Kingfisher International Products Limited 3 Sheldon Square, London, W2 6PX, Reino Unido Fabricante na UE: Kingfisher International Products B.V. Rapenburgerstraat 175E, 1011 VM Amsterdam, Países Baixos				
<b>Identificador do modelo:</b> FS45DISHUK/FS45DISHEU				
<b>Parâmetros gerais do produto:</b>				
Parâmetro	Valor	Parâmetro	Valor	
Capacidade em n.º de conjuntos	10	Dimensões em cm	Altura	85
			Largura	45
			Profundidade	60
Índice de eficiência energética (EEI)	55,9	Classe de eficiência energética <sup>(1)</sup>	E <sup>(3)</sup>	
Índice de desempenho de limpeza <sup>(1)</sup>	1,125	Índice de desempenho de secagem <sup>(1)</sup>	1,065	
Consumo de energia em kWh [por ciclo], com base no programa ECO que efetua a lavagem com enchimento de água fria. O consumo energético efetivo depende do modo como o aparelho é utilizado.	0,755	Consumo de água em litros [por ciclo], com base no programa ECO. O consumo de água efetivo depende do modo de utilização do aparelho e da dureza da água.	9,0	
Duração do programa <sup>(1)</sup> (h:min)	03:55	Tipo	De posicionamento livre	
Emissões de ruído aéreo <sup>(1)</sup> (dB(A) re 1 pW)	49	Classe de emissão de ruído aéreo <sup>(1)</sup>	C <sup>(3)</sup>	
Modo desligado (W)	0,49	Modo de espera (W)	N/A	
Início com atraso (W) (se aplicável)	1,00	Modo de espera em rede (W) (se aplicável)	N/A	
<b>Duração mínima da garantia disponibilizada pelo fornecedor</b> <sup>(2)</sup> : 2 anos				
<b>Informações adicionais:</b>				
Ligação para o website do fornecedor, onde se encontram as informações do ponto 6 do Anexo II do Regulamento (UE) 2019/2022 da Comissão <sup>(4)</sup> <sup>(2)</sup> : <a href="http://www.kingfisher.com/products">www.kingfisher.com/products</a>				
<sup>(1)</sup> para o programa ECO.				
<sup>(2)</sup> as alterações a estes pontos não serão consideradas relevantes para efeitos do parágrafo 4 do artigo 4.º do Regulamento (UE) 2017/1369.				
<sup>(3)</sup> se a base de dados dos produtos gerar automaticamente o conteúdo definitivo desta célula, o fornecedor não deve introduzir estes dados.				
<sup>(4)</sup> Regulamento (UE) 2019/2022 da Comissão de 1 de outubro de 2019 que estabelece os requisitos de conceção do programa ECO das máquinas de lavar louça domésticas nos termos da diretiva 2009/125/CE do Parlamento Europeu e do Conselho que altera o Regulamento (CE) n.º 1275/2008 da Comissão e revoga o Regulamento (UE) n.º 1016/2010 da Comissão (consultar página 267 do presente Jornal Oficial).				

## Garantia

Empenhamo-nos especialmente na seleção cuidada de materiais de elevada qualidade e utilizamos técnicas de fabrico que nos permitem criar produtos que incorporam design e durabilidade. Este produto tem uma garantia do fabricante de 2 anos contra defeitos de fabrico, a partir da data de compra (se comprado na loja) ou data de entrega (se comprado online), sem custo adicional para uso doméstico normal (não profissional ou comercial).

Para apresentar uma reclamação ao abrigo desta garantia, é necessário apresentar a prova de compra (tal como um recibo, uma fatura de compra ou outra prova admissível em conformidade com a lei em vigor). Mantenha o comprovativo de compra num lugar seguro. Para esta garantia se aplicar, o produto comprado tem de ser novo; não se aplica a produtos em segunda mão ou a produtos de exibição. Salvo disposição em contrário na lei em vigor, a garantia de qualquer produto de substituição expira no final do período da garantia do produto original.

Esta garantia cobre defeitos e falhas de produto, desde que o produto tenha sido utilizado para o fim a que se destina e tenha sido sujeito à instalação, limpeza, manutenção e a cuidados de acordo com as informações contidas nestes termos e condições, no manual do utilizador e na prática padrão, desde que a mesma não contrarie o manual de utilizador.

Esta garantia não cobre defeitos e danos causados pelo desgaste normal, nem danos que possam resultar de utilização indevida, instalação ou montagem incorreta, negligência, acidentes, utilizações indevidas ou modificações do produto. Salvo disposição em contrário na lei em vigor, esta garantia não abrange, em caso algum, custos auxiliares (expedição, deslocação, custos de desinstalação e reinstalação, mão-de-obra, etc), ou danos diretos e indiretos.

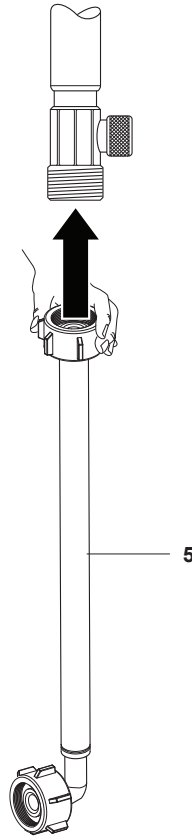
Se o produto apresentar algum defeito, iremos, dentro de um prazo razoável, reparar.

Os direitos no âmbito desta garantia têm força executiva no país onde adquiriu este produto. As questões relativas à garantia devem ser esclarecidas na loja onde adquiriu o produto. A garantia complementa e não afeta os seus direitos legais.

Se adquiriu este produto em Portugal - o distribuidor é responsável por quaisquer defeitos de conformidade do produto de acordo com os termos

da lei relativa a garantias (Decreto-Lei N.º 67/2003), aditada pelo Decreto-Lei N.º 84/2008.

**IMPORTANTE –  
CONSERVE  
ESTE MANUAL  
PARA FUTURAS  
CONSULTAS: LEIA  
ATENTAMENTE.**



**EN** Connect one end of the inlet supply hose to a threaded 3/4" BSP isolating tap connector and ensure that it is fully tightened. Connect the other end to the inlet connector at the base of the back of the appliance.

**IMPORTANT:** This appliance requires adequate backflow protection to ensure waste water from the appliance cannot enter the potable water supply of your property. During installation, you must ensure that there is adequate backflow protection to ensure local water regulations are met in the country where the appliance is used. This includes the use of additional components such as double-check valves and hose sets that must comply with EN 1717 or EN 61770.

**FR** Raccorder une extrémité du tuyau d'arrivée d'eau à un nez de robinet isolant fileté de 3/4» BSP et s'assurer qu'il est bien serré. Raccorder l'autre extrémité au raccord d'arrivée d'eau situé en bas à l'arrière de l'appareil.

**IMPORTANT** : Cet appareil nécessite une protection antiretour adéquate pour empêcher les eaux usées de l'appareil de pénétrer dans l'alimentation en eau potable de votre propriété. Lors de l'installation, vous devez vérifier la présence d'une protection antiretour adéquate pour assurer la conformité aux réglementations locales relatives à l'eau du pays d'utilisation de l'appareil. Cela inclut l'utilisation de composants supplémentaires tels que des clapets antiretour doubles et des jeux de flexibles qui doivent être conformes à la norme EN 1717 ou EN 61770.

**PL** Podłączyć jeden koniec węża dopływowego do gwintowanego, izolowanego złącza kranu BSP 3/4" i upewnić się, że jest całkowicie dokręcony. Podłączyć drugi koniec do złącza dopływowego w podstawie z tyłu urządzenia.

**WAŻNE**: Urządzenie wymaga odpowiedniego zabezpieczenia przed przepływem zwrotnym, które zapobiega przedostaniu się ścieków z urządzenia do wody pitnej w domu. Podczas montażu urządzenia należy uwzględnić odpowiednie zabezpieczenie przed przepływem zwrotnym zgodne z obowiązującymi lokalnymi przepisami dotyczącymi wody. Obowiązek zgodności z przepisami dotyczy również użycia dodatkowych części, takich jak zawory zwrotne bliźniacze i zestawy węży — muszą one być zgodne z normą EN 1717 lub EN 61770.

**RO** Conectează un capăt al furtunului de alimentare la un conector pentru robinet izolator tip BSP de 3/4" cu filet și asigură-te că este strâns complet. Conectează celălalt capăt la conectorul de admisie de la baza părții posterioare a aparatului.

**IMPORTANT**: Acest aparat necesită protecție antiretur adecvată pentru a te asigura că apa menajeră din aparat nu intră în sursa de apă potabilă a locuinței. În timpul montării, asigură-te că există o protecție antiretur adecvată care îndeplinește reglementările locale din domeniul instalațiilor în țara unde aparatul este folosit. Acest lucru include utilizarea componentelor suplimentare, cum ar fi robinetele de verificare și seturile de furtunuri, care trebuie să respecte EN 1717 sau EN 61770.

**ES** Conecte un extremo de la manguera de suministro de entrada a un conector de grifo aislante de 3/4" BSP roscado y asegúrese de que está totalmente apretado. Conecte el otro extremo al conector de entrada situado en la base de la parte posterior del aparato.

**IMPORTANTE**: Este aparato requiere una protección contra el reflujo adecuada para garantizar que las aguas residuales del aparato no se introduzcan en el suministro de agua potable de su vivienda. Durante la instalación, debe asegurarse de la adecuada protección contra el reflujo, de modo que cumpla las normativas locales relativas al agua del país en que se usa el aparato. Esto incluye el uso de otros componentes, como válvulas de retención dobles y kits de manguera, que deben cumplir las normas EN 1717 y EN 61770.

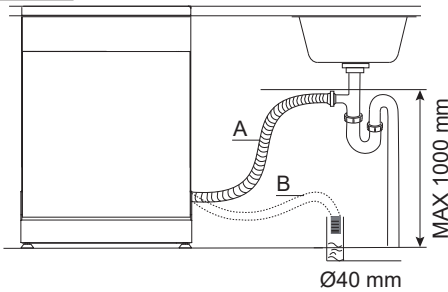
**PT** Ligue uma extremidade da mangueira de entrada de água a um conetor para torneira BSP de 3/4" e certifique-se de que está bem apertado. Ligue a outra extremidade ao conetor de entrada na base da parte posterior do aparelho.

**IMPORTANTE**: este aparelho requer uma proteção antirrefluxo adequada para garantir que as águas residuais do aparelho não entram no fornecimento de água potável da sua propriedade. Durante a instalação, deve certificar-se de que existe uma proteção antirrefluxo adequada para garantir que os regulamentos locais relativos à água são cumpridos no país onde o aparelho é utilizado. Isto inclui a utilização de componentes adicionais, tais como válvulas de verificação dupla e conjuntos de mangueiras em conformidade com as normas EN 1717 ou EN 61770.

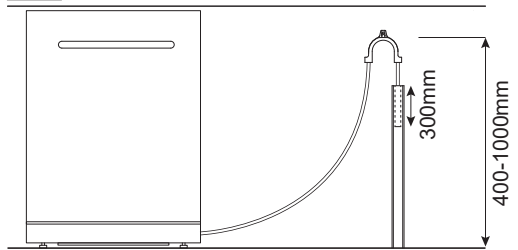


# 02

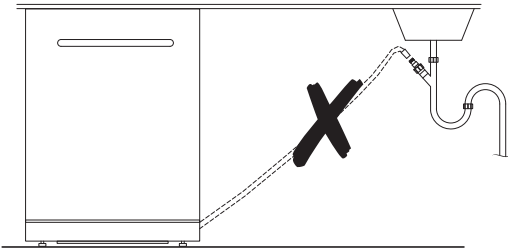
A / B



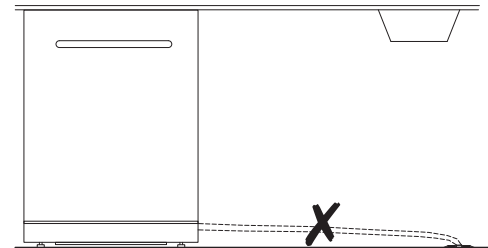
C



D



E



## EN CAUTION

1. Do not connect the drain pipe higher than 1m from the floor.
2. Ensure that the inlet hose and drain pipe are correctly fitted to avoid leaks. Do not kink or squash the hoses.

## FR ATTENTION

1. Ne pas raccorder le tuyau d'évacuation à plus de 1m du sol.
2. S'assurer que le tuyau d'arrivée d'eau et le tuyau d'évacuation sont correctement montés pour éviter les fuites. Ne pas plier ou écraser les flexibles.

## PL UWAGA

1. Nie podłączać węzła odpływowego na wysokości powyżej 1 m od podłogi.
2. Upewnić się, że wąż dopływowy i wąż odpływowy są prawidłowo podłączone, aby uniknąć nieszczelności. Nie zaginać ani nie przygniatać węży.

## RO ATENȚIE

1. Nu conecta țeava de evacuare mai sus de 1 m față de pardoseală.
2. Asigură-te că furtunul de admisie și țeava de evacuare sunt montate corect pentru a evita scurgerile. Nu îndoi sau strivi furtunurile.

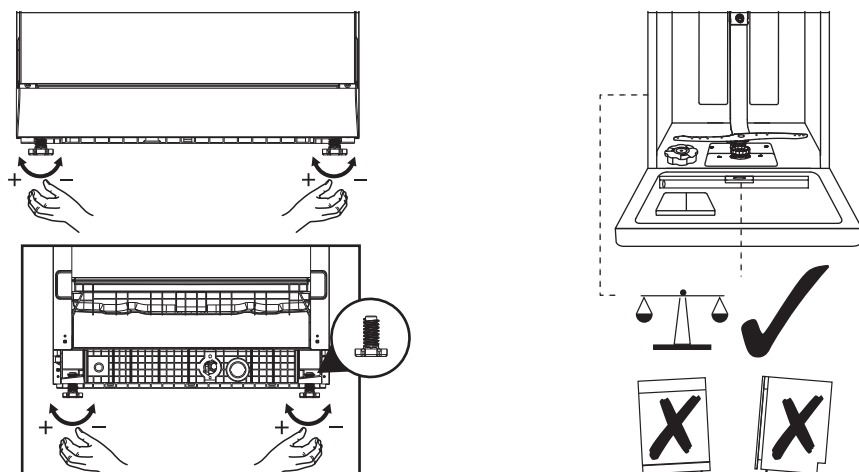
## ES PRECAUCIÓN

1. No conecte el tubo de desagüe a más de 1 m del suelo.
2. Asegúrese de que la manguera de entrada y el tubo de desagüe estén correctamente colocados para evitar fugas. No retuerza ni aplaste las mangueras.

## PT ATENÇÃO!

1. Não ligue o tubo de escoamento a mais de 1 m do chão.
2. Certifique-se de que a mangueira de entrada e o tubo de escoamento estão corretamente instalados para evitar fugas. Não torça nem esmague as mangueiras.

# 03



**EN** Using a spirit level check that the dishwasher is firm and level and does not rock. The overall height of the dishwasher can be adjusted between 845-895mm to fit flush under the kitchen work surface. To avoid damage to the legs, raise all four legs consecutively, and no more than 20mm at a time, to ensure the appliance does not tilt excessively.

**FR** À l'aide d'un niveau à bulle, vérifier que le lave-vaisselle est stable et de niveau et qu'il ne tangué pas. La hauteur totale du lave-vaisselle peut être ajustée entre 845 et 895mm afin que l'appareil puisse passer sous la surface de travail de votre cuisine. Pour ne pas endommager les pieds, relever les quatre pieds consécutivement, et de pas plus de 20mm à la fois, afin de ne pas incliner excessivement l'appareil.

**PL** Korzystając z poziomicy, sprawdzić, czy zmywarka jest stabilna i wypoziomowana oraz czy się nie kołysze. Całkowitą wysokość zmywarki można ustawić w zakresie 845–895 mm w celu dokładnego wpasowania pod blat kuchenny. Należy kolejno podnieść wszystkie cztery nóżki, jednorazowo maksymalnie o 20 mm, aby uniknąć nadmierne przechylenia urządzenia i uszkodzenia nóżek.

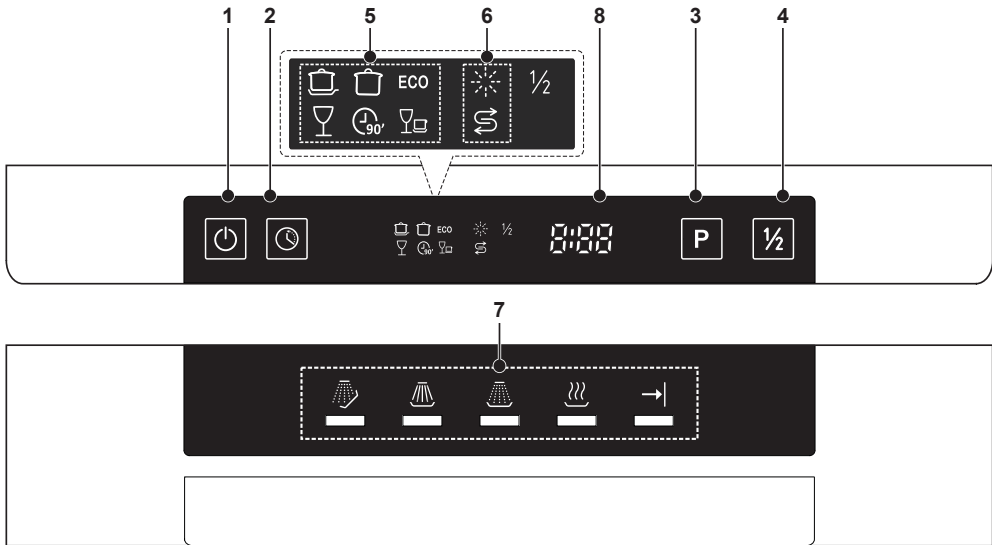
**RO** Folosind o nivelă cu bulă, asigură-te că mașina de spălat vase este fixă, dreaptă și nu se clatină. Înălțimea totală a mașinii de spălat vase poate fi reglată între 845 și 895 mm pentru a se potrivi sub suprafața de lucru din bucătărie. Pentru a evita deteriorarea picioarelor, înalță cele patru picioare pe rând și nu mai mult de 20 mm o dată, având grijă ca aparatul să nu se incline excesiv.

**ES** Use un nivel de burbuja para comprobar que el lavavajillas está nivelado y firme, y no se balancea. La altura total del lavavajillas se puede ajustar entre 845-895 mm para que quede a ras debajo de la superficie de trabajo de la cocina. Para evitar daños en las patas, eleve las cuatro patas de forma consecutiva, no más de 20 mm cada vez, para asegurar que el aparato no se inclina en exceso.

**PT** Utilizando um nível de bolha de ar, verifique se a máquina de lavar louça está firme e nivelada e se não oscila. A altura total da máquina de lavar louça pode ser ajustada entre 845 e 895 mm para caber por baixo da bancada da cozinha. Para evitar danos nos pés, levante as quatro pernas consecutivamente sem ultrapassar 20 mm de cada vez, para garantir que o aparelho não é excessivamente inclinado.

# EN Function and Setting

## Control Panel



### Operation

<b>1 Power</b>	Press the Power button  to turn the dishwasher on.
<b>2 Delay</b>	Press the button to set the delay time in one hour increments to a maximum of 24 hours.
<b>3 Program</b>	Press this button to cycle through the six wash programs.
<b>4 Half Load</b>	Use for six place settings or less. Note the Rapid option is not available.

### Display

<b>5 Program indicator</b>	<b>Intensive</b> Heavily soiled items including pots and pans with dried on food. <b>Universal</b> For normally soiled pots, pans and glasses. <b>ECO</b> <b>ECO</b> Similar to Universal but uses less water and energy. <b>Glass</b> For lightly soiled cups and glasses with a drying cycle. <b>90 Min</b> Similar to Universal but with a shorter cycle. <b>Rapid</b> For lightly soiled cups and glasses that do not need a drying cycle.
<b>6 Warning indicator</b>	<b>Rinse Aid</b> If the “” indicator is lit, top up the rinse aid reservoir before the next cycle. <b>Salt</b> If the “” indicator is lit, top up the salt reservoir before the next cycle.
<b>7 Progress indicator</b>	<b>Pre-wash</b> <b>Main wash</b> <b>Rinse</b> <b>Drying</b> Each icon will be lit in turn to indicate the progress of the selected program. <b>Program end</b> This light will indicate that the selected program has completed.
<b>8 Display</b>	Shows the remaining program time, water hardness and any error codes.

## Before you start

---

**Remove all packaging materials from the dishwasher.**

**Connect the plug to the power supply and switch on; the dishwasher will beep once and you are ready to set up for first use.**

**Follow these steps to set up your dishwasher for first use.**

**Before using your dishwasher for the first time you must:**

1. Set the water hardness to suit your local water supply.
2. Fill the salt container with dishwasher compatible salt.
3. Fill the rinse aid container with dishwasher compatible rinse aid.
4. Add dishwasher powder or a capsule suitable for the first wash.

## 01 Water Hardness


---

The water softener is designed to remove minerals such as calcium carbonate from the water supply, which would have a detrimental effect on the operation of the appliance. The higher the content of these minerals, the harder the water is. The softener should be adjusted according to the hardness of the water in your area. Please contact your local water utility company for the hardness of the water in your area.

### Setting the water hardness

The appliance water hardness can be set from H1 (very soft) to H6 (very hard).

Dishwasher salt is not required for very soft water at H1.

1. Determine the water hardness from your local water utility company. This information is often found on their website by searching with your post code.
2. There are many different methods for reporting water hardness dependent on your local country. The most common versions are found in the Water Hardness table below.
3. Determine the correct appliance setting (H1 - H6) from the Water Hardness Table using the information from your local water utility company. If your water hardness scale is not captured in the table, conversion charts are available on the internet.
4. Open the door.
5. Press the Power button  to turn on the appliance.
6. Within one minute of turning on the power, press the Program button [P] for more than five seconds to enter the Water Hardness mode. H3 is the factory default setting.
7. Press the Program button [P] to cycle through the settings H1 - H6 until this matches your local water supply and press [P] again to store the setting.

### Water Hardness Table

Appliance Setting	Water Hardness		
	Clarke Degrees (°e)	French Degrees (°fH)	Millimoles (mmol/L)
H1	0 - 6	0 - 9	0 - 0.94
H2	7 - 14	10 - 20	1.0 - 2.0
H3	15 - 21	21 - 30	2.1 - 3.0
H4	22 - 28	31 - 40	3.1 - 4.0
H5	29 - 42	41 - 60	4.1 - 6.0
H6	43 - 69	61 - 98	6.1 - 9.8



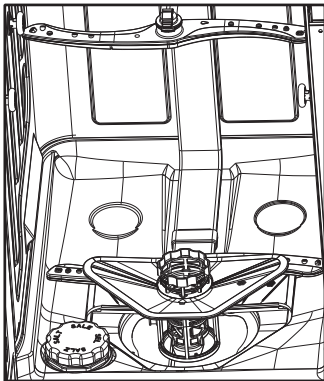
### **IMPORTANT: ALWAYS USE DISHWASHER COMPATIBLE SALT.**

All other types of salt not specifically designed for use in a dishwasher, especially table salt, will damage the water softener. The use of salt not designed for use in a dishwasher will invalidate your guarantee.

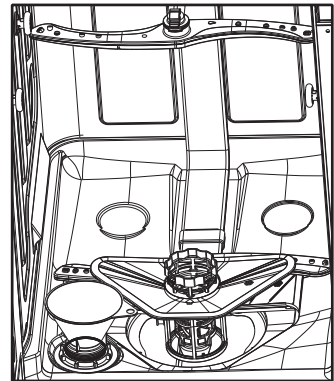
Only fill with salt just before starting one of the complete washing programs to ensure any spilt salt does not lie on the base of the appliance for an extended time as this can cause corrosion. The use of dishwasher salt in the water softener eliminates the calcium deposits (limescale) that will form when used in hard water areas.

### **Filling the Salt Container**

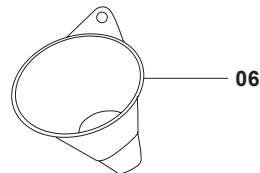
1



2



- Remove the lower basket and then unscrew and remove the cap from the salt container (see picture 1).
- To ensure correct functioning of the water softener, the container must be filled with 500ml of water before the salt is added.
- Insert the salt funnel [06] into the container (see picture 2) and add sufficient dishwasher salt until it reaches the rim of the container. Ensure that the container is not overfilled to avoid spillage of salt onto the base of the appliance. It is normal for some of the water to be displaced from the container during filling.
- Remove the funnel and replace the cap.
- The salt indicator light on the display panel will usually go out after the first complete wash cycle has primed the water softener system.



## 03 Rinse Aid

Rinse Aid is added during the last rinse cycle and lowers the surface tension of water before the drying cycle commences.

This ensures that water droplets are not formed on your dishes and ensures spot and streak free drying.



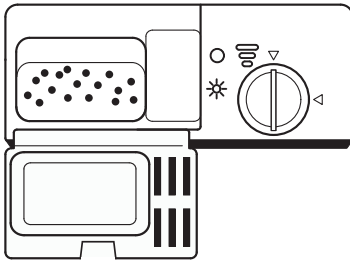
**IMPORTANT: ALWAYS USE DISHWASHER COMPATIBLE RINSE AID.**

Only use rinse aid designed for dishwasher use. Never fill the rinse aid dispenser with any other substances, for example, vinegar, dishwasher cleaning agent etc. as this will cause damage to the appliance and will invalidate your guarantee.

### Optical Rinse Aid Indicator

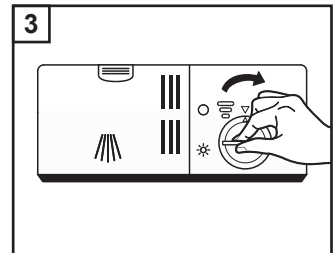
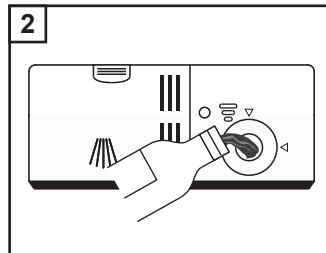
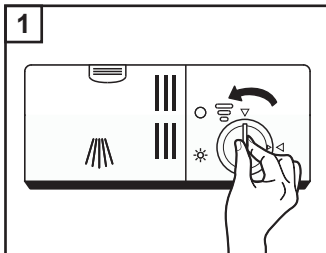
In addition to the Rinse Aid indicator on the control panel, you can also judge the level of rinse aid in the container using the optical indicator on the detergent panel inside the door.

When the Rinse Aid container is full, the optical indicator will show as a complete dark dot. As the rinse aid diminishes, the size of the dark dot will decrease. It is recommended that you refill with rinse aid when the container is no lower than 1/4 full.



Optical Indicator Settings	
●	Full
◐	3/4 full
◑	1/2 full
◒	1/4 full - refill the rinse aid container
○	Empty

### Filling the Rinse Aid Dispenser



The rinse aid dispenser is located inside the door on the detergent panel.

To open the dispenser, turn the cap anti-clockwise 90° and remove it (see picture 1).

Carefully pour the rinse aid into the container using the Optical Rinse Aid indicator to guide you (see picture 2).

When the indicator is completely dark, the container is full; do not overfill.

Replace the cap ensuring the arrows are aligned and turn it clockwise 90° to lock into place (see picture 3).



**IMPORTANT:** SOAK UP ANY SPILT RINSE AID WITH A DAMP ABSORBENT CLOTH TO AVOID EXCESS FOAMING DURING THE NEXT WASH CYCLE.

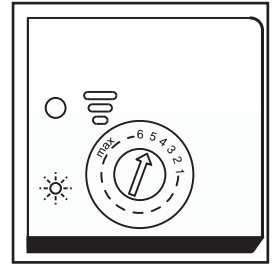
## Adjusting the Rinse Aid Setting

The rinse aid dispenser has six settings, and is factory set at 5. This will be the correct setting in most cases.

However, if there are drops of water remaining on the dishes after washing, the rinse aid use can be increased by turning the arrow head anti-clockwise.

If there are white streaks on the dishes after washing, the rinse aid use can be reduced by turning the arrow head clockwise.

To adjust the setting, first turn the rinse aid container cap anti-clockwise 90° and remove it. Adjust the arrow head with a small flat head screwdriver and replace the cap by turning it clockwise 90° to lock.

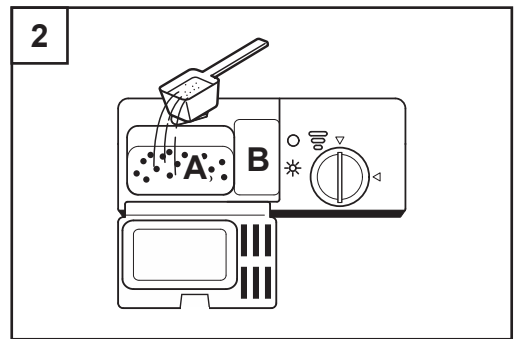
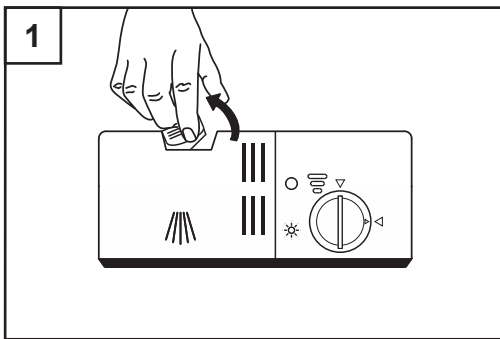


## 04 Dishwasher Detergent

### Choice of Detergent

Ensure you only use detergent in powder or tablet form suitable for dishwashers and always follow the manufacturer's guidelines on the amount to use. Occasionally, tablets may not fully dissolve and be completely used on the shortest rapid wash cycle, so it is recommended that powder is used for this program.

### Filling the Detergent Dispenser



To open the detergent lid, move the lever upwards to the right and the lid will spring open. Once the correct detergent has been placed in the container close the lid by pressing the lid onto the case until it clicks shut. Always add the detergent just before starting each wash cycle.

If the dishes are heavily soiled and you are using powder detergent, place the powder in both compartments. The main wash compartment is marked 1 and the pre-wash compartment is marked 2 (see diagram). Place tablets in the main wash compartment only.



### Loading and Unloading of the Dishwasher Baskets

For best performance of the dishwasher, follow these loading guidelines. Features and appearance of baskets and cutlery trays may vary from your model.

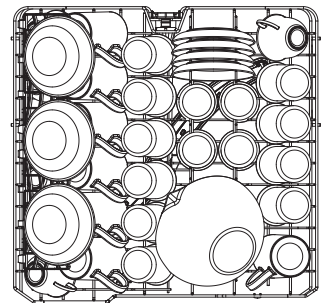


**IMPORTANT: INFORMATION FOR CORRECT LOADING OF THE DISHWASHER TO ENSURE CORRECT WASHING PERFORMANCE:**

- Only wash items that are dishwasher safe.
- Do not wash items made of wood, aluminium, copper or bone china.
- Do not wash lead crystal glasses.
- Remove residual food from crockery and cutlery.
- Remove residual food from tableware by soaking in water first to soften baked on food.
- Do not wash small light items as they may be dislodged from the baskets.
- Ensure that glasses and fragile items do not touch anything else in the baskets.
- Ensure all containers (glasses, cups, pans) are upside down and stable to avoid turning over, accumulating water and not washing correctly.
- Ensure that any large carving knives are laid flat in the upper basket, do not stand upright.
- Do not place any item through the baskets to avoid blocking the rotation of the spray arms.
- Ensure that the spray arms freely rotate before starting the wash program.
- To achieve the best washing results with a small number of items, ensure they are spread out across all the baskets.

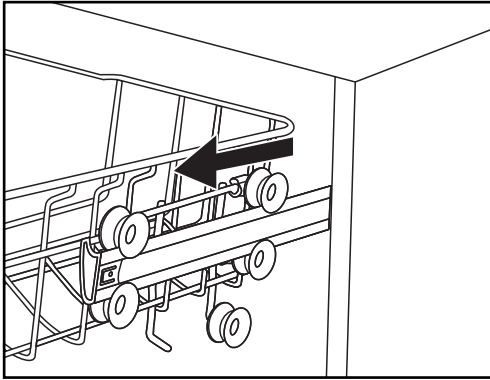
### Loading the Upper Basket

The upper basket is designed to hold more delicate and lighter items such as glasses, cups and saucers, small bowls, and small pans. Ensure that the items will not topple over during the wash cycle.

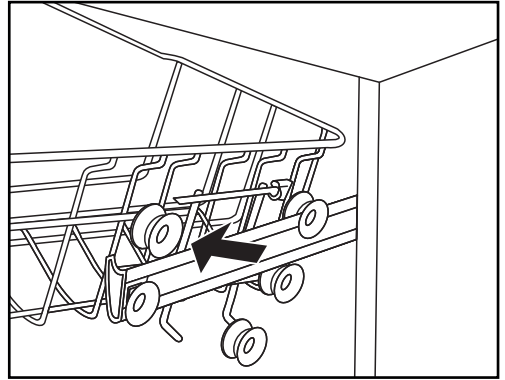


## Adjusting the Upper Basket

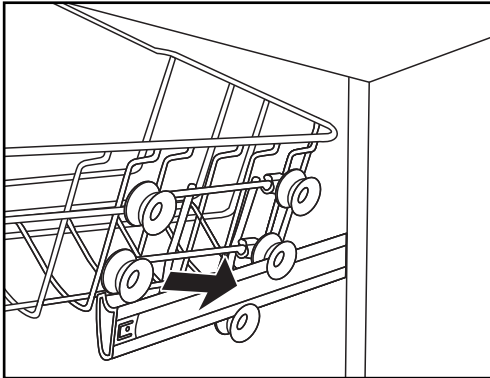
If required, the height of the upper basket can be adjusted in order to create more space for large utensils either in the upper basket or lower basket. The upper basket can be adjusted for height by holding the handles on both sides of the basket and raising or lowering until it clicks into place. Long items, serving cutlery, salad servers or knives should be laid flat so that they do not obstruct the rotation of the spray arms. The glass supports can be used to support fragile stems of wine glasses or folded vertically as necessary.



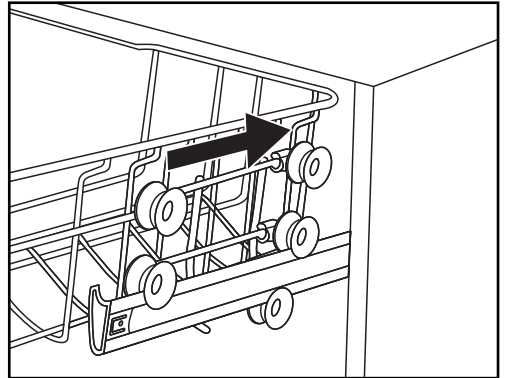
1. Pull out the upper basket.



2. Remove the upper basket.



3. Re-attach the upper basket to upper or lower rollers.

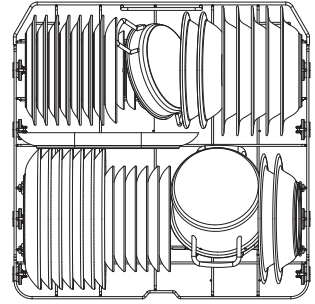


4. Return the upper basket.

## Loading the Lower Basket

Place large items which are more heavily soiled in the bottom basket, such as pots, pans, lids, serving dishes and bowls, as shown in the diagram below.

Ensure that the tallest items are placed to the sides to avoid blocking the rotation of the spray arm.

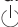


## Starting a Wash Program

Once you have completed all the steps above regarding installation and set-up, you are ready to start your first wash program.





**IMPORTANT:** THIS APPLIANCE DOES NOT HAVE A START BUTTON AND SO THE WASH PROGRAM WILL ONLY START AUTOMATICALLY WHEN THE PROGRAM HAS BEEN SELECTED AND THE DOOR IS FULLY CLOSED.




1. Open the door, load the dishwasher, and add dishwasher detergent or a 3-in-1 tablet to the dispenser.
2. Press the Power button  to turn the appliance on. The default program ECO will be selected, and the ECO icon will flash Eco.
3. If you wish to choose a different wash program, press the Program button until the correct option is selected. The options will cycle in the order of the Program Wash Table below and then return to ECO. The selected Program icon will flash in each case.
4. Push the door closed until you hear a click. The chosen icon will stop flashing and the wash cycle will start.

## Program Wash Table

Indicates the typical wash times with energy and water consumption and recommended detergent use.

(●) indicates that the program uses rinse aid in the last rinse.


Program	Description of Cycle	Detergent Pre/Main Wash	Running Time (min)	Energy (kWh)	Water (L)	Rinse Aid
 Intensive	Pre-wash (50°C) Wash (65°C) Rinse Rinse Rinse (65°C) Drying	4/14 g  (1 or 2 tablets)	3:25	1.378	15.3	●
 Universal	Pre-wash (45°C) Wash (55°C) Rinse Rinse (65°C) Drying	4/14 g  (1 tablet)	2:55	1.012	13.1	●
<b>ECO</b> (*EN60436)	Pre-wash Wash (45°C) Rinse (60°C) Drying	18 g  (1 tablet)	3:55	0.755	9.0	●

Program	Description of Cycle	Detergent Pre/Main Wash	Running Time (min)	Energy (kWh)	Water (L)	Rinse Aid
 <b>Glass</b>	Pre-wash	4/14 g	2:00	0.783	13.1	●
	Wash (50°C) Rinse Rinse (65°C) Drying	(1 tablet)				
 <b>90 min</b>	Wash (60°C) Rinse	18 g	1:30	1.093	10.2	●
	Rinse (65°C) Drying	(1 tablet)				
 <b>Rapid</b>	Wash (50°C) Rinse	12 g	0:30	0.539	10.0	○
	Rinse (45°C)	(1 tablet)				

#### NOTES:

1. The ECO program (\*EN60436) is suitable to clean normally soiled tableware, it is the most efficient program in terms of its combined energy and water consumption and complies with the EU Ecodesign Legislation.
2. Manual pre-rinsing of tableware items leads to increased water and energy consumption and is not recommended.
3. Washing tableware in a household dishwasher usually consumes less energy and water than hand dishwashing when the household dishwasher is used according to this instruction manual.

## Changing or Cancelling a Wash Program

If you wish to change the current wash program, press the Power button  to cancel the cycle. Press Power again to reset back to ECO and choose the new program following the above steps.

**NOTE:** If the program has been running for a while, the detergent may have been dispensed and used in the main wash. It is recommended to open the door and check the dispenser before starting a new program.

## Adding Extra Items During a Wash Program


If you wish to add an item to a running wash program, open the door carefully to disengage the lock.

DO NOT FULLY OPEN the door until you can hear the spray arms have stopped rotating to avoid risk of scalding from hot water.



**IMPORTANT:** A WARNING BEEP WILL SOUND EVERY SIXTY SECONDS IF THE DOOR HAS BEEN OPENED DURING A WASH PROGRAM. PLEASE CLOSE THE DOOR PROMPTLY TO RESUME THE PROGRAM OR PRESS THE POWER BUTTON [ICON] TO CANCEL COMPLETELY.

## Unloading the baskets

1. When the wash program has finished, there will be an audible beep eight times and the display will show “-.-”.
2. Press the Power button  to turn off the appliance, open the door and allow the items to cool down before handling – note that the items will be hot!
3. When cool, empty the lower basket first, then the top basket.

## Troubleshooting

Problem	Possible Causes	Solution
Dishwasher does not start	Fuse blown or circuit breaker on consumer unit has tripped	Replace or fuse or reset consumer unit. If this issue continues there may be an electrical fault, contact Customer Services for advice
	Power supply is not turned on	Check plug is correctly installed and power is turned on
	Water pressure is low	Check water is connected and turned on
Drainage pump doesn't stop working	Possible overflow	Contact Customer Services
Noise	Wash sounds are normal, though items may move during the cycle	Ensure the dishwasher is loaded correctly before starting the program
Dishes and cutlery not completely clean	Incorrect loading or wrong wash cycle selected	Ensure dishwasher is loaded correctly, the spray arms are not dirty or blocked and select the correct cycle based on the soiling
Filters greasy and blocked	Filter cleaning and maintenance overdue	Remove and clean all filters regularly and use a proprietary dishwasher cleaning solution. Always follow the manufacturer's instructions regarding use.
Cloudiness forms on glassware or ceramics	Not all glassware and ceramics are dishwasher safe	Ensure delicate or non-dishwasher safe items are washed by hand only
Rust spots form on cutlery	Not all cutlery is dishwasher safe or will dry thoroughly	Ensure delicate or non-dishwasher safe items are washed by hand only or dried by hand promptly after the wash cycle has finished
Soap suds remain after use	Incorrect detergent or spilt rinse aid	Use correct detergent and mop up spilt rinse aid before use
Detergent not completely used or left in tray	Some 3-in-1 tablets do not fully dissolve during short washes or tray is blocked by crockery	Use powder rather than 3-in-1 tablets for short washes and reload top basket before use



**WARNING:** THIS DISHWASHER CANNOT BE SERVICED BY THE CUSTOMER. PLEASE CONTACT THE CUSTOMER SERVICE HELPLINE FOR YOUR COUNTRY SHOWN AT THE END OF THIS MANUAL.

## Error codes

If there is a malfunction the dishwasher will display an error with the program lights as shown in the following table.

Message	Issue	Cause
The Rapid program light flickers.	Insufficient water.	Check water pressure and supply tap.
The Rapid and 90 Minute program lights flicker.	Water not hot enough.	Heating element issue - contact Customer Services.
The ECO program light flickers.	Water overflow.	Possible leakage - contact Customer Services.
The Universal, Rapid and ECO program lights flicker.	Display issue.	Contact Customer Services.



**WARNING: DO NOT ATTEMPT REPAIR YOURSELF, CONTACT CUSTOMER SERVICES AT THE END OF THIS MANUAL.**

## Availability of spare parts

Dependent upon the spare part, these are available for a minimum period of seven years for professional repairers or a minimum of ten years for professional repairers and end-users. Contact the Customer Service helpline for assistance or visit: [www.kingfisherspares.com](http://www.kingfisherspares.com)

According to EU regulation 2019/2017. Information can also be found at the website: [www.kingfisher.com/products](http://www.kingfisher.com/products)

## Recycling & disposal



Waste electrical products (WEEE) should not be disposed of with household waste.

Please recycle where facilities exist. Check with your local governmental authority, domestic waste disposal services or the retailer where the product was bought for recycling advice. The wheellie bin symbol on the product or its packaging indicates that this product cannot be treated as normal household waste. This product must be handed over to an electric and electronic equipment collection point for recycling.

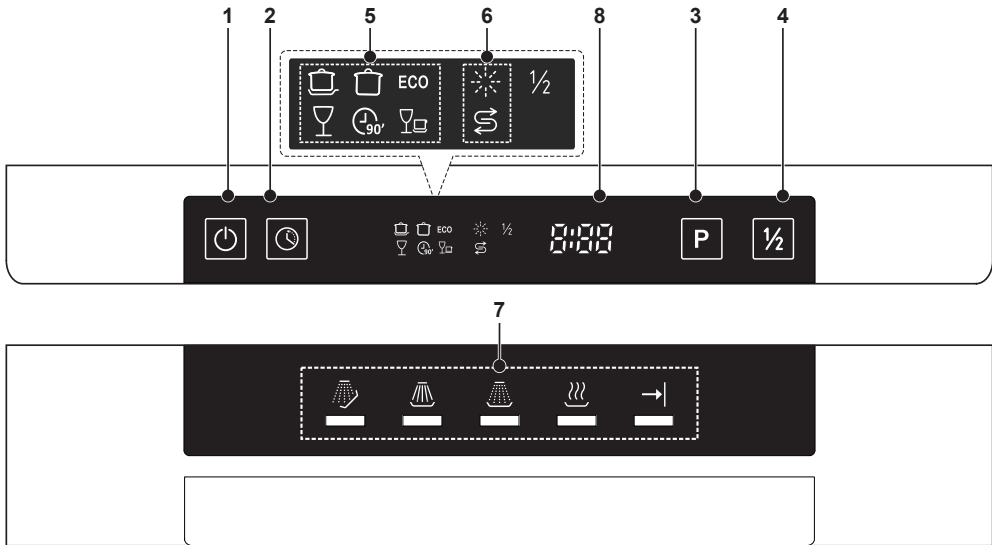
On ensuring that this product is disposed of correctly, you will help to avoid possible negative consequences for the environment and public health, which could occur if this product is not handled correctly.

To arrange a service call, please contact our customer services on one of the following Toll Free numbers, you must contact the number in the country in which you purchased the Dishwasher.

UK 0800 324 7818 [uk@kingfisherservice.com](mailto:uk@kingfisherservice.com)

Eire 1-800 932 230 [eire@kingfisherservice.com](mailto:eire@kingfisherservice.com)

## Panneau de commande












### Fonctionnement

1	<b>Marche</b>	Appuyer sur le bouton Marche  pour allumer le lave-vaisselle.
2	<b>Différé</b>	Appuyer sur le bouton pour régler le délai par incréments d'une heure jusqu'à un maximum de 24 heures.
3	<b>Programme</b>	Appuyer sur ce bouton pour faire défiler les six programmes de lavage.
4	<b>Demi-charge</b>	Utiliser cette option pour un maximum de six couverts. Remarque : l'option Rapide n'est pas disponible.

### Affichage

5	<b>Indicateur de programme</b>	<b>Intensif</b> Pour la vaisselle très sale, y compris les casseroles et les poêles avec de la nourriture incrustée.
		<b>Universel</b> Pour les casseroles, les poêles et les verres normalement sales.
		<b>ECO</b> <b>ECO</b> Similaire au programme Universel, mais utilise moins d'eau et d'énergie.
		<b>Verre</b> Pour les tasses et les verres légèrement sales qui ont besoin d'un cycle de séchage.
		<b>90 min</b> Similaire au programme Universel, mais avec un cycle plus court.
		<b>Rapide</b> Pour les tasses et les verres légèrement sales qui n'ont pas besoin d'un cycle de séchage.



<b>6</b> <b>Indicateur d'avertissement</b>	 <b>Liquide de rinçage</b> Si l'indicateur «  » est allumé, faire l'appoint du réservoir de liquide de rinçage avant le cycle suivant.  <b>Sel</b> Si l'indicateur «  » est allumé, faire l'appoint du réservoir de sel avant le cycle suivant.
<b>7</b> <b>Indicateur de progression</b>	 <b>Prélavage</b>  <b>Lavage principal</b>  <b>Rinçage</b>  <b>Séchage</b> Chaque icône s'allume tour à tour pour indiquer la progression du programme sélectionné.
<b>8</b> <b>Affichage</b>	 <b>Fin du programme</b> Ce voyant indique que le programme sélectionné est terminé.
<b>8</b> <b>Affichage</b>	Affiche le temps de programme restant, la dureté de l'eau et les codes d'erreur éventuels.

## Avant de commencer

**Retirer tous les matériaux d'emballage du lave-vaisselle.**

**Brancher la fiche à l'alimentation et mettre l'appareil sous tension. Le lave-vaisselle émet un signal sonore unique pour indiquer que vous pouvez le configurer en vue de sa première utilisation.**

**Suivre les étapes ci-après pour configurer votre lave-vaisselle en vue de sa première utilisation.**

**Avant d'utiliser le lave-vaisselle pour la première fois, il faut :**

1. Régler la dureté de l'eau en fonction de l'eau de votre lieu de résidence.
2. Remplir le réservoir de sel avec du sel pour lave-vaisselle.
3. Remplir le réservoir de liquide de rinçage avec du liquide de rinçage pour lave-vaisselle.
4. Ajouter de la poudre ou une tablette pour lave-vaisselle adaptée pour le premier lavage.

## 01 Dureté de l'eau


L'adoucisseur d'eau a pour but d'éliminer les minéraux tels que le carbonate de calcium présent dans l'eau, lesquels auraient un effet néfaste sur le bon fonctionnement de l'appareil. Plus la teneur en minéraux de ce genre est élevée, plus l'eau est dure. L'adoucisseur doit être réglé en fonction de la dureté de l'eau dans votre région. Merci de contacter votre société locale de service de distribution des eaux pour connaître la dureté de l'eau dans votre région.

### Réglage de la dureté de l'eau

La dureté de l'eau de l'appareil peut être réglée entre H1 (très douce) et H6 (très dure).

Il n'y a pas besoin d'utiliser de sel pour lave-vaisselle si l'eau est très douce (H1).

1. Déterminer la dureté de l'eau auprès de votre société locale de service de distribution des eaux. Ces informations figurent souvent sur le site Web de la société en effectuant une recherche avec votre code postal.
2. Il existe de nombreuses méthodes différentes pour indiquer la dureté de l'eau en fonction de votre pays. Les méthodes les plus courantes se trouvent dans le Tableau dureté de l'eau ci-dessous.
3. Déterminer le réglage approprié pour l'appareil (H1 à H6) à partir du Tableau de dureté de l'eau à l'aide des informations fournies par votre société locale de service de distribution des eaux. Si l'échelle de dureté de l'eau utilisée dans votre région ne figure pas dans le tableau, des tableaux de conversion sont disponibles sur Internet.
4. Ouvrir la porte.

5. Appuyer sur le bouton Marche  pour allumer l'appareil.
6. Dans la minute qui suit la mise sous tension, appuyer sur le bouton Programme [P] pendant plus de cinq secondes pour activer le mode Dureté de l'eau. Le paramètre d'usine par défaut est H3.
7. Appuyer sur le bouton Programme [P] pour faire défiler les réglages H1 à H6 jusqu'au réglage correspondant à la dureté de l'eau de votre lieu de résidence. Appuyer une nouvelle fois sur [P] pour enregistrer le réglage.

## Tableau de dureté de l'eau

Réglage de l'appareil	Dureté de l'eau		
	Degrés Clarke (°e)	Degrés français (°fH)	Millimoles (mmol/L)
H1	0 - 6	0 - 9	0 - 0,94
H2	7 - 14	10 - 20	1,0 - 2,0
H3	15 - 21	21 - 30	2,1 - 3,0
H4	22 - 28	31 - 40	3,1 - 4,0
H5	29 - 42	41 - 60	4,1 - 6,0
H6	43 - 69	61 - 98	6,1 - 9,8

## 02 Sel



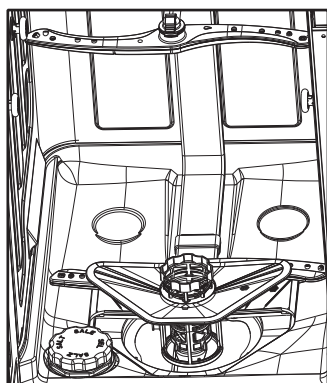
**IMPORTANT : TOUJOURS UTILISER DU SEL POUR LAVE-VAISSELLE.**

Tous les autres types de sel n'étant pas spécifiquement conçus pour une utilisation dans un lave-vaisselle, en particulier le sel de table, endommageront l'adoucisseur d'eau. L'utilisation d'un sel inadapté pour une utilisation dans un lave-vaisselle entraîne une annulation de la garantie.

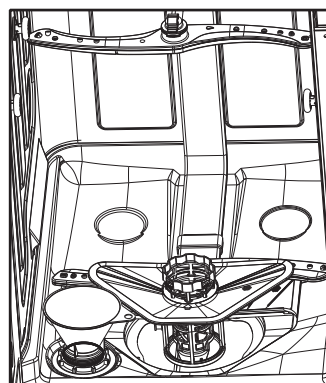
Faire l'appoint de sel uniquement avant de lancer l'un des programmes de lavage complets afin de veiller à ce que le sel renversé ne reste pas en contact prolongé avec le fond de l'appareil. Cela risquerait de provoquer de la corrosion. L'utilisation de sel pour lave-vaisselle dans l'adoucisseur d'eau permet d'éliminer les dépôts de calcium (calcaire) qui se forment lorsque l'appareil est utilisé dans des régions où l'eau est dure.

## Remplissage du réservoir de sel

1

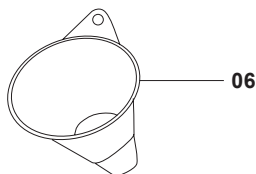


2



- Retirer le panier inférieur, puis dévisser et enlever le bouchon du réservoir de sel (voir image 1).
- Pour garantir le bon fonctionnement de l'adoucisseur d'eau, le réservoir doit être rempli avec 500ml d'eau avant d'ajouter le sel.
- Insérer l'entonnoir à sel [06] dans le réservoir (voir image 2) et ajouter suffisamment de sel pour lave-vaisselle jusqu'à atteindre le bord du réservoir. S'assurer que le réservoir n'est pas trop rempli pour éviter tout déversement de sel dans le fond de l'appareil. Il est normal qu'un peu d'eau sorte du réservoir pendant le remplissage.

- Retirer l'entonnoir et remettre le bouchon en place.
- L'indicateur de sel sur le panneau d'affichage devrait s'éteindre dès que le premier cycle de lavage complet aura amorcé le système d'adoucisseur d'eau.



## 03 Liquide de rinçage

Le liquide de rinçage est ajouté pendant le dernier cycle de rinçage et permet d'abaisser la tension superficielle de l'eau avant le démarrage du cycle de séchage.

Ainsi, il ne se formera pas de gouttelettes d'eau sur la vaisselle et le séchage se fera sans traces ni traînées.



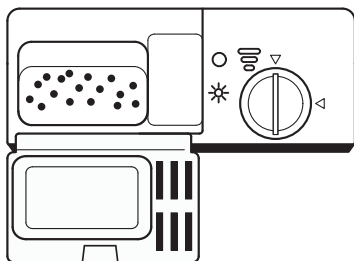
**IMPORTANT : TOUJOURS UTILISER UN LIQUIDE DE RINÇAGE COMPATIBLE LAVE-VAISSELLE.**

Utiliser uniquement du liquide de rinçage spécial lave-vaisselle. Ne jamais remplir le distributeur de liquide de rinçage avec d'autres substances, par exemple du vinaigre, du nettoyeur pour lave-vaisselle, etc. Cela endommagera l'appareil et annulera la garantie.

## Indicateur visuel de liquide de rinçage

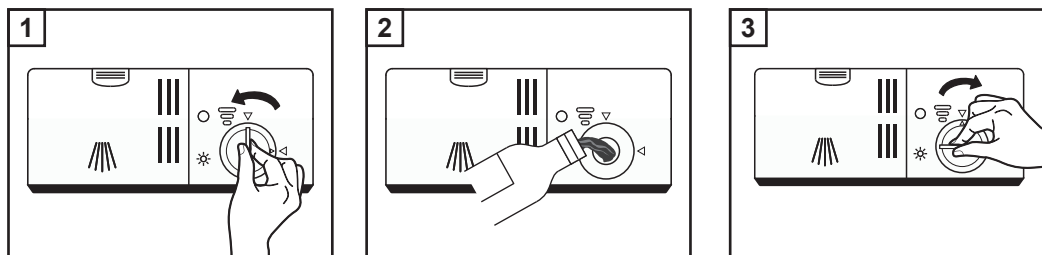
En plus de l'indicateur de liquide de rinçage présent sur le panneau de commande, vous pouvez également évaluer le niveau de liquide de rinçage dans le réservoir à l'aide de l'indicateur visuel sur le panneau de détergent à l'intérieur de la porte.

Lorsque le réservoir de liquide de rinçage est plein, l'indicateur visuel apparaît sous la forme d'un point noir entier. À mesure que le niveau de liquide de rinçage baisse, la taille du point noir diminue. Il est recommandé de faire l'appoint de liquide de rinçage au plus tard lorsque le réservoir atteint le dernier quart.



Réglage de l'indicateur visuel	
●	Plein
◐	3/4 plein
◑	1/2 plein
◒	1/4 plein - remplir le résevoir de liquide de rinçage
○	Vide

## Remplissage du distributeur de liquide de rinçage



Le distributeur de liquide de rinçage est situé à l'intérieur de la porte, sur le panneau de détergent.

Pour ouvrir le distributeur, tourner le bouchon de 90° dans le sens antihoraire et le retirer (voir image 1).

Verser soigneusement le liquide de rinçage dans le réservoir en vous aidant de l'indicateur visuel de liquide de rinçage (voir image 2).

Quand l'indicateur est devenu complètement noir, cela signifie que le réservoir est plein ; ne pas trop le remplir.

Remettre le bouchon en veillant à ce que les flèches soient alignées et le tourner de 90° vers la droite pour le verrouiller (voir image 3).



**IMPORTANT : ÉPONGER TOUT DÉVERSEMENT DE LIQUIDE DE RINÇAGE AVEC UN CHIFFON ABSORBANT ET DOUX POUR ÉVITER UNE QUANTITÉ DE MOUSSE EXCESSIVE PENDANT LE PROCHAIN CYCLE DE LAVAGE.**

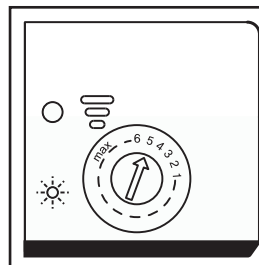
## Réglage du paramètre de liquide de rinçage

Le distributeur de liquide de rinçage a six paramètres ; il est réglé en usine sur 5. Ce sera le paramètre approprié dans la plupart des cas.

Cependant, s'il reste des gouttes d'eau sur la vaisselle après le lavage, vous pouvez augmenter le débit de liquide de rinçage en tournant la tête de la flèche dans le sens antihoraire.

Si vous observez des traînées blanches sur la vaisselle après le lavage, vous pouvez réduire le débit de liquide de rinçage en tournant la tête de la flèche dans le sens horaire.

Pour régler le paramètre, tourner d'abord le bouchon du réservoir de liquide de rinçage de 90° dans le sens antihoraire et le retirer. Ajuster la tête de la flèche à l'aide d'un petit tournevis plat et remettre le bouchon en le tournant de 90° dans le sens horaire pour le verrouiller.

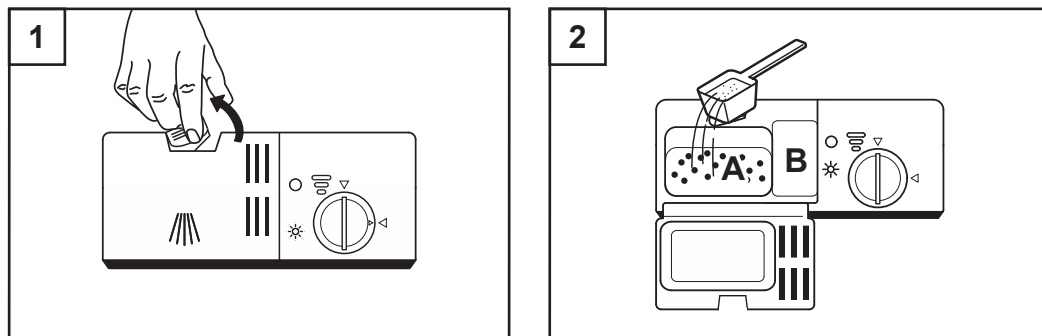


## 04 Détergent pour lave-vaisselle

### Choix du détergent

Veiller à utiliser uniquement du détergent en poudre ou en tablette adapté aux lave-vaisselle. Toujours suivre les consignes du fabricant concernant la quantité à utiliser. Parfois, il se peut que les tablettes ne se dissolvent pas complètement et ne soient pas entièrement utilisées pendant le cycle de lavage rapide le plus court. Il est donc recommandé d'utiliser du détergent en poudre pour ce programme.

## Remplissage du distributeur de détergent



Pour ouvrir le couvercle du distributeur de détergent, relever le levier vers la droite ; le couvercle s'ouvre sous l'effet du ressort. Après avoir ajouté du détergent approprié dans le distributeur, fermer le couvercle en appuyant dessus jusqu'à entendre un « clic » indiquant qu'il est bien fermé. Toujours ajouter le détergent juste avant de lancer chaque cycle de lavage.

Si la vaisselle est très sale et que vous utilisez du détergent en poudre, placer la poudre dans les deux compartiments. Le compartiment de lavage principal est marqué du chiffre 1 et le réservoir de pré-lavage est marqué du chiffre 2 (voir schéma). Placer les tablettes uniquement dans le compartiment principal de lavage.

## 05 Utilisation du lave-vaisselle

### Chargement et déchargement des paniers du lave-vaisselle

Pour garantir des performances optimales de l'appareil, suivre les consignes ci-après pour remplir le lave-vaisselle. Les fonctions et l'apparence des paniers et des paniers à couverts peuvent varier d'un modèle à l'autre.



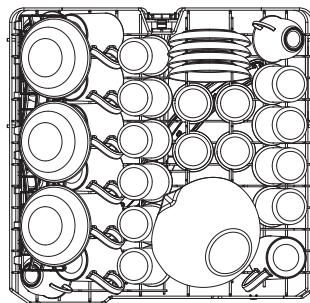
**IMPORTANT : INFORMATIONS RELATIVES AU CHARGEMENT CORRECT DU LAVE-VAISSELLE POUR GARANTIR DES PERFORMANCES DE LAVAGE ADÉQUATES :**

- laver uniquement des éléments lavables au lave-vaisselle.
- Ne pas laver d'éléments en bois, en aluminium, en cuivre ou en porcelaine fine.
- Ne pas laver des verres en cristal de plomb.
- Retirer les résidus d'aliments présents sur la vaisselle et les couverts.
- Retirer les résidus d'aliments de la vaisselle en trempant cette dernière dans l'eau pour les ramollir.
- Ne pas laver les petits objets légers car ils peuvent sortir des paniers.
- S'assurer que les verres et les éléments fragiles ne touchent rien d'autre dans les paniers.

- Vérifier que tous les récipients (verres, tasses et casseroles) sont à l'envers et en position stable pour éviter tout retournement et risque de lavage incorrect ou accumulation d'eau.
- Veiller à ce que tous les gros couteaux à découper soient posés à plat dans le panier supérieur et ne soient pas à la verticale.
- Ne placer aucun objet dans les paniers pour éviter de bloquer la rotation des bras de lavage.
- Contrôler que les bras de lavage tournent librement avant de lancer le programme de lavage.
- Pour obtenir les meilleurs résultats de lavage avec un petit nombre d'éléments, vérifier que ces derniers sont répartis dans tous les paniers.

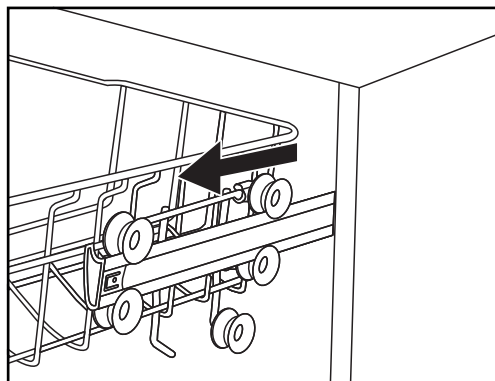
## Chargement du panier supérieur

Le panier supérieur est destiné aux éléments plus légers et plus délicats, comme les verres, les tasses et soucoupes, les petits bols et les petites casseroles. Vérifier que la vaisselle ne risque pas de basculer pendant le cycle de lavage.

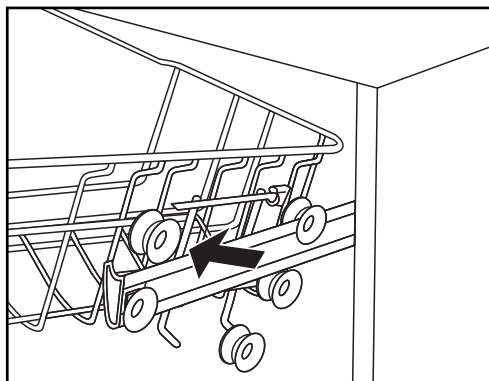


## Réglage du panier supérieur

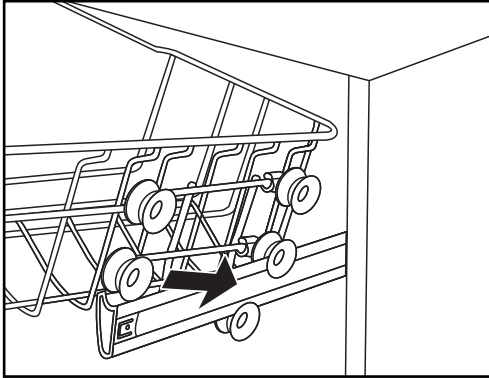
Si nécessaire, il est possible de régler la hauteur du panier supérieur afin d'obtenir plus de place pour les grands ustensiles placés soit dans le panier supérieur, soit dans le panier inférieur. La hauteur du panier supérieur peut être réglée en tenant les poignées des deux côtés du panier et en le relevant ou en l'abaissant jusqu'à ce qu'il se clipse à la position désirée. Les éléments longs, les ustensiles de service, les couverts à salade ou les couteaux doivent être posés à plat pour ne pas gêner la rotation des bras de lavage. Les supports à verres peuvent être utilisés pour tenir les pieds fragiles des verres à vin ou être repliés à la verticale si nécessaire.



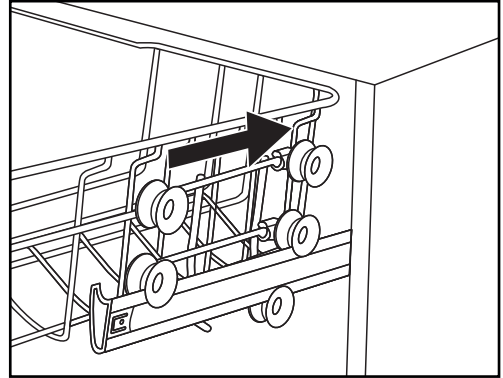
1. Tirer le panier supérieur vers l'extérieur.



2. Retirer le panier supérieur.



3. Fixer à nouveau le panier supérieur aux roulettes supérieures ou inférieures.

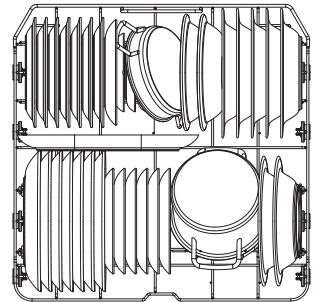


4. Replacer le panier supérieur.

## Chargement du panier inférieur

Placer les éléments de grande taille les plus sales dans le panier inférieur, notamment les marmites, casseroles, couvercles, assiettes et bols, comme illustré dans l'image ci-dessous.

S'assurer que les éléments les plus hauts sont placés sur les côtés pour éviter de bloquer la rotation du bras de lavage.




## Lancement d'un programme de lavage

Une fois toutes les étapes relatives à l'installation et la disposition de la vaisselle ci-dessus réalisées, tout est prêt pour pouvoir lancer un programme de lavage pour la première fois.



**IMPORTANT : CET APPAREIL NE DISPOSE PAS DE BOUTON DE DÉMARRAGE ; LE PROGRAMME DE LAVAGE NE SE LANCE DONC AUTOMATIQUÉMENT QUE LORSQUE LE PROGRAMME A ÉTÉ SÉLECTIONNÉ ET QUE LA PORTE EST COMPLÈTEMENT FERMÉE.**






1. Ouvrir la porte, remplir le lave-vaisselle et ajouter du détergent pour lave-vaisselle ou une tablette 3 en 1 dans le distributeur.
2. Appuyer sur le bouton Marche  pour allumer l'appareil. Le programme ECO par défaut est sélectionné et l'icône ECO clignote Eco.
3. Pour choisir un autre programme de lavage, appuyer sur le bouton Programme jusqu'à ce que l'option désirée soit sélectionnée. Les options défilent dans l'ordre du Tableau des programmes de lavage ci-dessous, puis reviennent sur ECO une fois que vous êtes arrivé à la fin. L'icône du programme sélectionné clignote dans chaque cas.
4. Pousser la porte pour la fermer jusqu'à ce que vous entendiez un clic. L'icône choisie cesse de clignoter et le cycle de lavage démarre.



## Tableau des programmes de lavage

Indique les temps de lavage typiques avec la consommation d'énergie et d'eau et l'utilisation de détergent recommandée.

(●) indique que le programme utilise du liquide de rinçage lors du dernier rinçage.


Programme	Description du cycle	Détergent pour pré-/ lavage principal	Temps de fonctionnement (min)	Énergie (kWh)	Eau (L)	Li- quide de rin- çage
 <b>Intensif</b>	Prélavage (50°C) Lavage (65°C) Rinçage	4/14g	3:25	1.378	15.3	●
	Rinçage Rinçage (65°C) Séchage	(1 ou 2 tablettes)				
 <b>Universel</b>	Prélavage (45°C) Lavage (55°C) Rinçage	4/14g	2:55	1.012	13.1	●
	Rinçage (65°C) Séchage	(1 tablette)				
<b>ECO</b> (*EN60436)	Prélavage Lavage (45°C) Rinçage (60°C) Séchage	18 g	3:55	0.755	9,0	●
		(1 tablette)				
 <b>Verre</b>	Prélavage Lavage (50°C) Rinçage	4/14g	2:00	0,783	13.1	●
	Rinçage (65°C) Séchage	(1 tablette)				
 <b>90 min</b>	Lavage (60°C) Rinçage	18 g	1:30	1.093	10.2	●
	Rinçage (65°C) Séchage	(1 tablette)				
 <b>Rapide</b>	Lavage (50°C) Rinçage	12 g	0:30	0.539	10,0	○
	Rinçage (45°C)	(1 tablette)				

### REMARQUES :

1. Le programme ECO (\*EN60436) convient pour nettoyer de la vaisselle normalement sale. Il s'agit du programme le plus efficace en termes de consommation d'énergie et d'eau pour ce type de vaisselle et est conforme à la directive européenne Écodesign.
2. Le pré-rinçage manuel de la vaisselle entraîne une augmentation de la consommation d'eau et d'énergie. Il n'est donc pas recommandé.

- Le lavage de la vaisselle dans un lave-vaisselle domestique consomme généralement moins d'énergie et d'eau que le lavage à la main lorsque le lave-vaisselle domestique est utilisé conformément à cette notice.

## Modification ou annulation d'un programme de lavage

Si vous souhaitez modifier le programme de lavage actuellement sélectionné, appuyer sur le bouton Marche  pour annuler le cycle. Appuyer à nouveau sur le bouton Marche pour revenir au programme ECO et choisir le nouveau programme en suivant les étapes ci-dessus.

**REMARQUE** : si le programme a été lancé depuis un certain temps, il se peut que le détergent ait été distribué et utilisé pendant le cycle de lavage principal. Il est recommandé d'ouvrir la porte et de vérifier le distributeur avant de lancer un nouveau programme.

## Ajout de vaisselle en cours de programme de lavage


Si vous souhaitez ajouter un élément pendant un programme de lavage, ouvrir la porte avec précaution pour désactiver le verrouillage.

NE PAS OUVRIR COMPLÈTEMENT la porte si vous entendez que les bras de lavage continuent de tourner, pour éviter tout risque de brûlures dues à l'eau chaude.



**IMPORTANT** : UN BIP D'AVERTISSEMENT RETENTIT TOUTES LES SOIXANTE SECONDES SI LA PORTE A ÉTÉ OUVERTE PENDANT UN PROGRAMME DE LAVAGE. FERMER LA PORTE RAPIDEMENT POUR REPRENDRE LE PROGRAMME OU APPUYER SUR LE BOUTON MARCHE [ICÔNE] POUR ANNULER COMPLÈTEMENT.

## Déchargement des paniers

- Lorsque le programme de lavage est terminé, un signal sonore retentit 8 fois et l'affichage indique « -:- ».
- Appuyer sur le bouton Marche  pour éteindre l'appareil, ouvrir la porte et laisser les éléments refroidir avant de les toucher : la vaisselle est chaude !
- Une fois la vaisselle refroidie, vider d'abord le panier inférieur, puis le panier supérieur.

## Dépannage

Problème	Causes possibles	Solutions
Le lave-vaisselle ne démarre pas	Fusible grillé ou disjoncteur du tableau électrique déclenché	Remplacer le fusible ou réinitialiser le tableau électrique. Si ce problème persiste, il se peut qu'il y ait un défaut électrique. Contacter le service client pour obtenir des conseils
	Il n'y a pas de courant électrique	Vérifier que la fiche est correctement installée et que l'appareil est sous tension
	La pression de l'eau est basse	Vérifier que l'arrivée d'eau est raccordée et ouverte
La pompe d'évacuation ne cesse de fonctionner	Débordement possible	Contactez le service client

Problème	Causes possibles	Solutions
Bruit	Il est normal d'entendre le bruit de l'eau. Toutefois, il est possible que la vaisselle bouge pendant le cycle de lavage	S'assurer que le lave-vaisselle est correctement chargé avant de lancer le programme
La vaisselle et les couverts ne sont pas complètement propres	Chargement incorrect ou sélection d'un cycle de lavage inapproprié	S'assurer que le lave-vaisselle est correctement chargé, que les bras de lavage ne sont pas sales ou obstrués et sélectionner le cycle approprié en fonction du niveau de saleté
Filtres gras et obstrués	Intervalle de nettoyage et d'entretien du filtre dépassé	Retirer et nettoyer tous les filtres régulièrement et utiliser une solution de lavage dédiée aux lave-vaisselle. Toujours suivre les instructions du fabricant concernant l'utilisation.
Un voile se dépose sur la vaisselle en verre ou en céramique	Le verre et la céramique ne sont pas toujours adaptés au lave-vaisselle	Veiller à ce que les articles fragiles ou non lavables au lave-vaisselle soient lavés à la main uniquement
Des taches de rouille se forment sur les couverts	Tous les couverts ne passent pas au lave-vaisselle ou ne séchent pas complètement	Veiller à laver uniquement à la main la vaisselle fragile ou non lavable au lave-vaisselle ou à la sécher vous-même rapidement une fois le cycle de lavage terminé
Il reste des traces de détergent après le lavage	Détergent incorrect ou liquide de rinçage renversé	Utiliser un détergent approprié et essuyer le liquide de rinçage renversé avant de lancer un programme de lavage
Détergent partiellement utilisé ou toujours dans le bac	Certaines tablettes 3 en 1 ne se dissolvent pas complètement pendant les cycles de lavage courts ou lorsque de la vaisselle bloque le bac	Utiliser du détergent en poudre plutôt que des tablettes 3 en 1 pour les cycles de lavage courts et réorganiser le panier supérieur avant utilisation



**AVERTISSEMENT : CE LAVE-VAISSELLE NE PEUT PAS ÊTRE ENTRETENU PAR LE CLIENT. CONTACTER LE SERVICE CLIENT DE VOTRE PAYS INDIQUÉ À LA FIN DE CE MANUEL.**

## Codes d'erreur

En cas de dysfonctionnement, le lave-vaisselle affiche une erreur à l'aide des voyants de programme, comme indiqué dans le tableau suivant.

Message	Problème	Cause
Le voyant du programme Rapide clignote.	Quantité d'eau insuffisante.	Vérifier la pression d'eau et le robinet d'alimentation.
Les voyants des programmes Rapide et 90 min clignotent.	Eau pas assez chaude.	Problème d'élément chauffant - contacter le service client.
Le voyant du programme ECO clignote.	Trop-plein d'eau.	Fuite possible - contacter le service client.
Les voyants des programmes Universel, Rapide et ECO clignotent.	Problème d'affichage.	Contactez le service client.



**AVERTISSEMENT : NE PAS TENTER DE PROCÉDER VOUS-MÊME AUX RÉPARATIONS ; CONTACTER LE SERVICE CLIENT INDIQUÉ À LA FIN DE CE MANUEL.**

## Disponibilité des pièces de rechange

Selon leur type, les pièces de rechange peuvent être disponibles pendant une période minimale de sept ans pour les réparateurs professionnels, ou pendant un minimum de dix ans pour les réparateurs professionnels et les utilisateurs finaux. Pour obtenir de l'aide, contacter le service clientèle ou visiter le site suivant : [www.kingfisherspares.com](http://www.kingfisherspares.com).

Conformément à la Directive UE 2019/2017. Des informations sont également disponibles sur le site Web : [www.kingfisher.com/products](http://www.kingfisher.com/products)

## Recyclage et mise au rebut



Les produits électriques usagés (DEEE) ne doivent pas être jetés avec les ordures ménagères.

Pour le recyclage, l'appareil doit être déposé dans un centre de collecte prévu à cet effet. Pour obtenir des conseils sur le recyclage, consulter les autorités locales, les services d'enlèvement des ordures ménagères ou le distributeur chez qui le produit a été acheté. Le symbole de la poubelle

barrée sur le produit ou son emballage indique que ce produit ne peut pas être traité comme un déchet ménager normal. Ce produit doit être remis à un point de collecte d'équipements électriques et électroniques pour être recyclé.

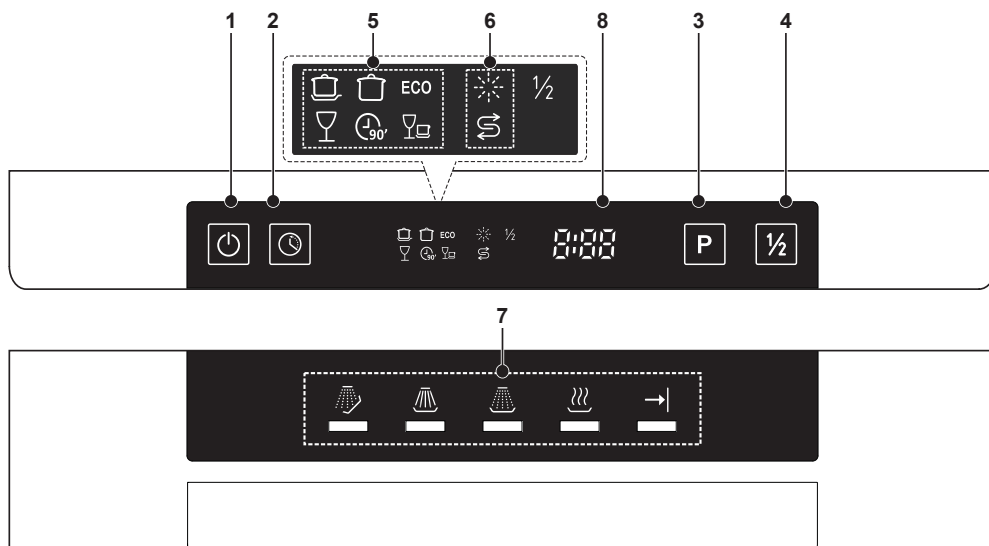
En vous assurant que ce produit est éliminé correctement, vous contribuerez à éviter des conséquences potentiellement néfastes sur l'environnement et la santé publique suite à une mauvaise manipulation du produit.

Pour organiser une intervention, contacter le service client à l'un des numéros verts suivants. Composer le numéro qui correspond au pays dans lequel le lave-vaisselle a été acheté :

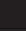
### Assistance téléphonique (sans frais) :

0805 114 951 [france@kingfisherservice.com](mailto:france@kingfisherservice.com)










## Panel sterowania







### Działanie

<b>1 Zasilanie</b>	Nacisnąć przycisk zasilania  , aby włączyć zmywarkę.
<b>2 Opóźnienie</b>	Naciskać przycisk, aby ustawić czas opóźnienia na maksymalnie 24 godziny (wartość zmienia się skokowo co godzinę).
<b>3 Program</b>	Naciskać ten przycisk, aby wybrać jeden z sześciu programów zmywania.
<b>4 Połowa załadunku</b>	Używać na maksymalnie sześć kompletów naczyń. Należy pamiętać, że opcja Szybki jest niedostępna.

### Wyświetlacz

<b>5 Wskaźnik programu</b>		<b>Intensywny</b> Mocno zabrudzone naczynia, w tym garnki i patelnie z zaschniętymi resztkami żywności.
		<b>Uniwersalny</b> Do normalnie zabrudzonych garnków, patelni i szklanek.
	ECO	<b>ECO</b> Podobny do Uniwersalnego, ale wykorzystuje mniejszą ilość wody i energii.
		<b>Szkoło</b> Do lekko zabrudzonych filiżanek i szklanek, z cyklem suszenia.
		<b>90 Min</b> Podobny do Uniwersalnego, ale o krótszym cyklu pracy.
		<b>Szybki</b> Do lekko zabrudzonych filiżanek i szklanek, które nie wymagają cyklu suszenia.
<b>6 Wskaźnik ostrzeżeń</b>		<b>Nabłyszczacz</b> Jeśli świeci wskaźnik „  ”, przed kolejnym cyklem należy napełnić zbiornik na nabłyszczacz.
		<b>Sól</b> Jeśli świeci wskaźnik „  ”, przed kolejnym cyklem należy napełnić zbiornik na sól.

7	 <b>Mycie wstępne</b> Kolejno zapalające się symbole sygnalizują postęp wybranego programu.	 <b>Mycie zasadnicze</b>	 <b>Płukanie</b>	 <b>Suszenie</b>
8	<b>Wyświetlacz</b> Pokazuje pozostały czas trwania programu, twardość wody oraz kody błędów.			

## Przed rozpoczęciem użytkowania

Usunąć wszystkie elementy opakowania ze zmywarki.

Podłączyć wtyczkę do źródła zasilania i włączyć urządzenie; zmywarka wyemituje pojedynczy sygnał dźwiękowy oznaczający gotowość do konfiguracji przed pierwszym użyciem.

W celu skonfigurowania zmywarki przed pierwszym użyciem należy wykonać poniższe czynności.

Przed pierwszym użyciem zmywarki należy:

1. Ustawić twardość wody zgodnie z twardością używanej wody.
2. Napełnić zbiornik na sól solą przeznaczoną do zmywarek.
3. Napełnić zbiornik na nabłyszczacz środkiem nabłyszczającym przeznaczonym do zmywarek.
4. Dodać do zmywarki proszek lub tabletkę przeznaczone do przeprowadzenia pierwszego mycia.


## 01 Twardość wody

Zmiękcacz wody jest przeznaczony do usuwania z wody minerałów, takich jak węglan wapnia, które mogłyby mieć szkodliwy wpływ na działanie urządzenia. Im wyższa zawartość tych minerałów, tym twardsza jest woda. Ustawienia zmiękczacza należy dostosować do twardości wody na danym obszarze. W celu uzyskania informacji na temat twardości wody na danym obszarze należy skontaktować się z lokalnym zakładem wodociągowym.

### Ustawianie twardości wody

Twardość wody w urządzeniu można ustawić w zakresie od H1 (bardzo miękka) do H6 (bardzo twarda).

W przypadku bardzo miękkiej wody przy ustawieniu H1 sól do zmywarki nie jest wymagana.

1. Określić twardość wody doprowadzanej z lokalnego zakładu wodociągowego. Informacje te można często znaleźć na stronie internetowej takiego zakładu, wyszukując po kodzie pocztowym.
2. Istnieje wiele różnych metod informowania o twardości wody, w zależności od kraju. Najczęściej spotykane wartości znajdują się w poniższej tabeli twardości wody.
3. Określić prawidłowe ustawienie urządzenia (H1–H6) na podstawie tabeli twardości wody i informacji z lokalnego zakładu wodociągowego. Jeśli skala twardości wody nie jest ujęta w tabeli, w Internecie dostępne są schematy konwersji danych.
4. Otworzyć drzwi.
5. Nacisnąć przycisk zasilania , aby włączyć urządzenie.
6. W ciągu minuty od włączenia zasilania nacisnąć i przytrzymać przycisk programów [P] przez ponad pięć sekund, aby wejść w tryb twardości wody. Domyślnym ustawieniem fabrycznym jest ustawienie H3.
7. Nacisnąć przycisk programów [P], aby przełączać między ustawieniami H1–H6, aż będzie ono zgodne z lokalnym źródłem wody i nacisnąć ponownie przycisk [P] w celu zachowania tego ustawienia.

## Tabela twardości wody

Ustawienie urządzenia	Twardość wody		
	Stopnie Clarke'a (°e)	Stopnie francuskie (°fH)	Milimole (mmol/l)
H1	0–6	0–9	0–0,94
H2	7–14	10–20	1,0–2,0
H3	15–21	21–30	2,1–3,0
H4	22–28	31–40	3,1–4,0
H5	29–42	41–60	4,1–6,0
H6	43–69	61–98	6,1–9,8

## 02 Sól



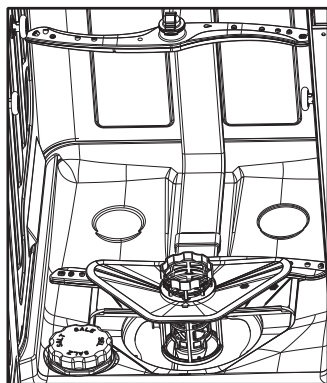
**WAŻNE: NALEŻY ZAWSZE UŻYWAĆ SOLI PRZEZNACZONEJ DO ZMYWAREK.**

Wszystkie inne rodzaje soli, które nie zostały stworzone z myślą o użytkowaniu w zmywarce, zwłaszcza sól kuchenna, spowodują uszkodzenie zmiękczacza wody. Użycie soli nieprzeznaczonej do stosowania w zmywarce spowoduje unieważnienie gwarancji.

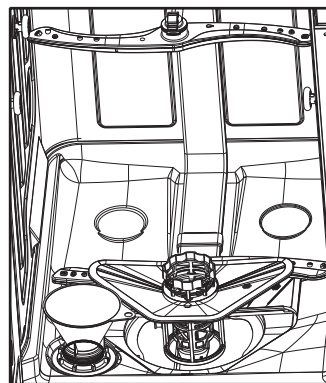
Sól należy uzupełniać wyłącznie tuż przed uruchomieniem jednego z pełnych programów mycia, aby nie osadzała się na dnie urządzenia przez dłuższy czas, ponieważ może to powodować korozję. Stosowanie soli do zmywarki w zmiękczaczu wody usuwa osady wapnia (kamień), które będą gromadzić się w przypadku eksploatacji urządzenia na obszarach z twardą wodą.

## Napełnianie zbiornika na sól

1

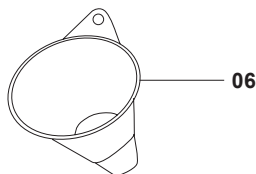


2



- Wyjąć dolny kosz, a następnie odkręcić i wyjąć korek zbiornika na sól (patrz rysunek 1).
- Aby zapewnić prawidłowe działanie zmiękczacza wody, należy przed dodaniem soli napełnić zbiornik 500 ml wody.
- Włożyć lejek [06] do zbiornika (patrz rysunek 2) i dodać odpowiednią ilość soli, aż jej poziom sięgnie krawędzi zbiornika. Nie przepelniać zbiornika, aby uniknąć wydostawania się soli na dno urządzenia. Podczas napełniania może dojść do wylania się wody ze zbiornika, co jest normalnym zjawiskiem.

- Wyjąć lejek i założyć ponownie korek.
- Wskaźnik soli na panelu wyświetlacza gaśnie zwykle po pierwszym pełnym cyklu mycia, który spowoduje zalanie wodą układu zmiękczacza.



## 03 Nabłyszczacz

Nabłyszczacz jest dodawany podczas ostatniego cyklu płukania i obniża napięcie powierzchniowe wody przed rozpoczęciem cyklu suszenia.

Dzięki temu na naczyniach nie tworzą się krople wody, co gwarantuje brak smug po wysuszeniu.



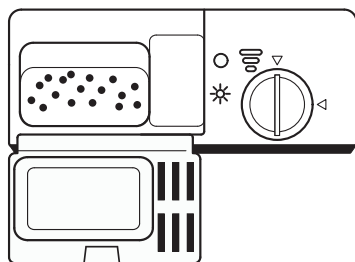
**WAŻNE: ZAWSZE UŻYWAĆ NABŁYSZCZACZA PRZEZNACZONEGO DO ZMYWAREK.**

Należy używać wyłącznie nabłyszczacza przeznaczonego do stosowania w zmywarce. Nigdy nie należy napełniać dozownika nabłyszczacza innymi substancjami, np. octem, środkiem czyszczącym do zmywarki itp., ponieważ może to spowodować uszkodzenie urządzenia i unieważnienie gwarancji.

### Wskaźnik optyczny nabłyszczacza

Oprócz wskaźnika nabłyszczacza na panelu sterowania poziom nabłyszczacza w zbiorniku można określić również za pomocą kontrolki na panelu detergentów po wewnętrznej stronie drzwi zmywarki.

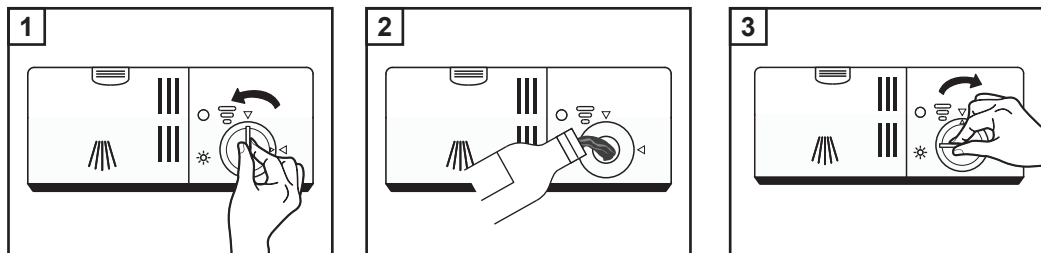
Gdy zbiornik nabłyszczacza jest pełny, wskaźnik optyczny będzie wyświetlał pełną, ciemną kropkę. W miarę zużywania nabłyszczacza rozmiar ciemnej kropki będzie się zmniejszał. Zaleca się uzupełnienie nabłyszczacza, zanim jego ilość spadnie poniżej 1/4 pojemności zbiornika.



Ustawienia wskaźnika optycznego	
●	Pełny
◐	3/4 pojemności
◑	1/2 pojemności
◒	1/4 pojemności — napełnić zbiornik nabłyszczacza
○	Pusty



## Napełnianie dozownika nabłyszczacza



Dozownik nabłyszczacza znajduje się wewnątrz drzwi na panelu detergentów.

W celu otwarcia dozownika należy obrócić korek o 90° w lewo i go zdjąć (patrz rysunek 1).

Ostrożnie wlać nabłyszczacz do zbiornika, posilkując się wskazaniem kontrolki nabłyszczacza (patrz rysunek 2).

Całkowicie ciemny wskaźnik oznacza, że zbiornik jest pełny; nie przepelniać go.

Założyć ponownie korek, zwracając uwagę na wyrównanie strzałek, po czym obrócić o 90° w prawo w celu zablokowania (patrz rysunek 3).



**WAŻNE:** WYTRZEĆ ROZLANY NABŁYSZCZACZ WILGOTNĄ ŚCIERECZKĄ, ABY UNIKNĄĆ NADMIARU PIANY PODCZAS KOLEJNEGO CYKLU MYCIA.

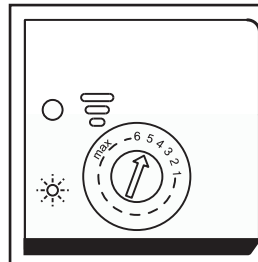
## Regulacja ustawienia nabłyszczacza

Dozownik nabłyszczacza ma sześć ustawień, a ustawienie fabryczne to 5. W większości przypadków jest to ustawienie prawidłowe.

Niemniej jednak jeśli po myciu na naczyniach pozostają krople wody, zużycie nabłyszczacza można zwiększyć, obracając grot strzałki w lewo.

Jeśli po myciu na naczyniach pozostają białe smugi, zużycie nabłyszczacza można zmniejszyć, obracając grot strzałki w prawo.

W celu wyregulowania ustawienia należy najpierw obrócić korek zbiornika nabłyszczacza o 90° w lewo i go zdjąć. Ustawić grot strzałki za pomocą małego, płaskiego wkrętaka, a następnie założyć ponownie korek, obracając go o 90° w prawo w celu zablokowania.

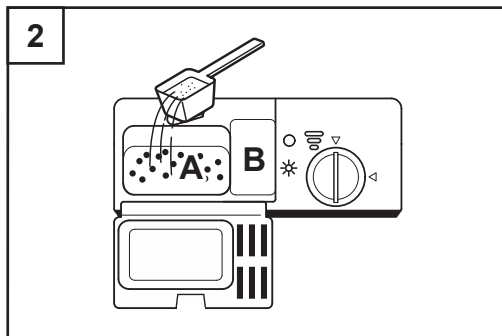
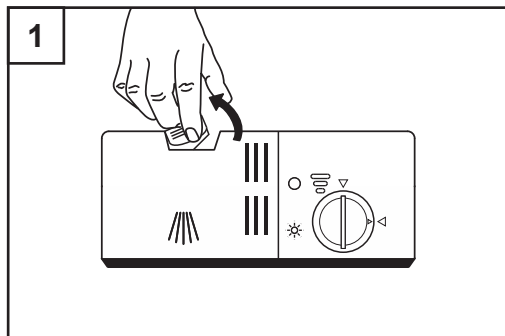


## 04 Detergent do zmywarki

### Wybór detergentu

Należy używać wyłącznie detergentu w proszku lub w postaci tabletek przeznaczonych do zmywarek i zawsze przestrzegać wytycznych producenta w zakresie stosowanych ilości. Czasami tabletki nie rozpuszczają się lub nie zużywają się całkowicie w przypadku najkrótszego, szybkiego cyklu mycia, stąd podczas korzystania z takiego programu zaleca się stosowanie proszku.

## Napełnianie dozownika detergentu



Aby otworzyć pokrywę pojemnika detergentu, należy przesunąć dźwignię w górę w prawą stronę, co spowoduje gwałtowne otwarcie pokrywy. Po umieszczeniu właściwego detergentu w zbiorniku należy zamknąć pokrywę, dociskając ją do obudowy, aż zablokuje się we właściwym położeniu. Detergent należy zawsze dodawać tuż przed rozpoczęciem każdego cyklu mycia.

Jeśli naczynia są mocno zabrudzone i stosowany jest detergent w proszku, należy wsypać go do obu przegród. Przegroda mycia głównego jest oznaczona cyfrą 1, natomiast przegroda mycia wstępnego — cyfrą 2 (patrz schemat). Tabletki należy umieszczać wyłącznie w przegrodzie mycia głównego.

## 05 Korzystanie ze zmywarki

### Załadunek i rozładunek koszy zmywarki

Aby uzyskać najlepszą wydajność zmywarki, należy postępować zgodnie z poniższymi wskazówkami dotyczącymi załadunku. Funkcje i wygląd koszy oraz organizerów na sztućce mogą różnić się w zależności od modelu.



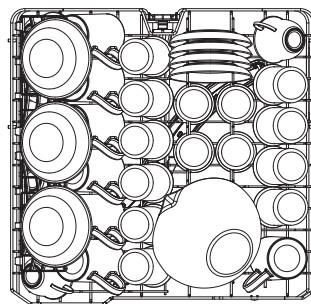
**WAŻNE: INFORMACJE DOTYCZĄCE PRAWIDŁOWEGO UMIESZCZANIA NACZYŃ W ZMYWARCE W CELU ZAPEWNIENIA ODPOWIEDNIEJ EFEKTYWNOŚCI ZMYWANIA.**

- W zmywarce należy myć tylko te naczynia, które są do tego dostosowane.
- Nie wolno myć przedmiotów wykonanych z drewna, aluminium, miedzi lub porcelany kostnej.
- Nie wolno myć naczyń wykonanych ze szkła ołowiowego.
- Z naczyń i sztućców należy usunąć resztki jedzenia.
- Z zastawy stołowej należy usunąć resztki jedzenia, zanurzając ją w wodzie, aby zmiękczyć uporczywe zabrudzenia.
- W zmywarce nie należy myć małych i lekkich przedmiotów, ponieważ mogą one wypaść z koszy.
- Należy się upewnić, że szklanki i inne delikatne naczynia nie dotykają żadnych innych naczyń w koszach.

- Należy się upewnić, że wszystkie naczynia (szklanki, kubki, garnki itp.) są odwrócone i stabilnie osadzone w koszach, aby nie doszło do ich przewrócenia, nie nagromadziła się w nich woda oraz dla najlepszych efektów mycia.
- Należy upewnić się, że duże noże są ułożone płasko w górnym koszu. Nie wolno ich stawiać w pozycji pionowej.
- Nie należy przekładać żadnych przedmiotów przez otwory w koszach, aby nie doszło do zablokowania ramion natryskowych.
- Przed włączeniem zmywarki należy się upewnić, że ramiona natryskowe mogą się swobodnie obracać.
- Aby uzyskać najlepsze efekty mycia niewielkiej liczby naczyń, należy je rozłożyć we wszystkich koszach.

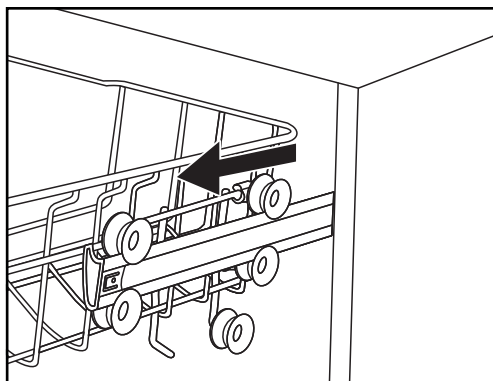
## Załadunek górnego kosza

Górny kosz jest przeznaczony do delikatniejszych i lżejszych naczyń, takich jak szklanki, kubki, spodki do filiżanek, miseczki i małe patelnie. Należy upewnić się, że naczynia nie przewrócą się w trakcie cyklu mycia.

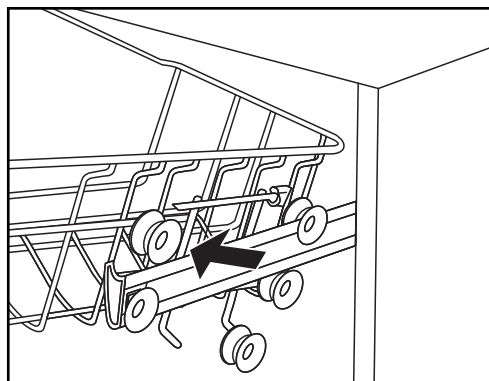


## Regulacja górnego kosza

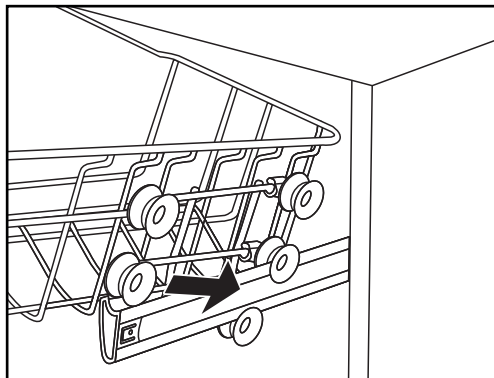
W zależności od potrzeb wysokość górnego kosza można dostosować, aby zapewnić więcej miejsca na duże naczynia kuchenne w górnym lub dolnym koszu. Wysokość górnego kosza można wyregulować poprzez przytrzymanie uchwytów po obu stronach kosza i podniesienie lub opuszczenie, aż zablokuje się we właściwym położeniu. Podłużne akcesoria, sztuczki do serwowania potraw, łyżki do sałatek lub noże należy układać na płasko, aby nie ograniczały obracania ramion natryskowych. Podpórki do szklanek można wykorzystać do zabezpieczenia delikatnych nóżek kieliszków do wina lub złożyć pionowo.



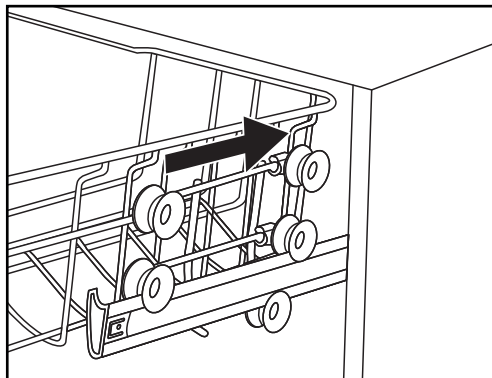
1. Wysunąć górny kosz.



2. Wyjąć górny kosz.



3. Zamocować ponownie górny kosz na górnych lub dolnych rolkach.

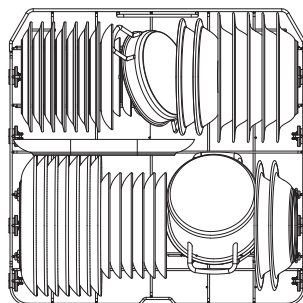


4. Wsunąć z powrotem górny kosz.

## Załadunek dolnego kosza

W dolnym koszu należy umieszczać duże naczynia, które są bardziej zabrudzone, np. garnki, patelnie, pokrywy, talerze i miski, zgodnie z poniższym schematem.

Najwyższe naczynia należy umieszczać po bokach, aby uniknąć zablokowania obracania ramienia natryskowego.




## Uruchamianie programu mycia

Po wykonaniu wszystkich powyższych kroków dotyczących montażu i konfiguracji urządzenie jest gotowe do uruchomienia pierwszego programu mycia.








**WAŻNE: TO URZĄDZENIE NIE JEST WYPOSAŻONE W PRZYCIŚK URUCHAMIANIA I W ZWIĄZKU Z TYM PROGRAM MYCIA URUCHOMI SIĘ AUTOMATYCZNIE PO WYBRANIU PROGRAMU I ZAMKNIĘCIU DRZWI.**

1. Otworzyć drzwi, załadować zmywarkę i dodać detergent lub tabletkę 3 w 1 do dozownika.
2. Nacisnąć przycisk zasilania , aby włączyć urządzenie. Zostanie wybrany domyślny program ECO, a na wyświetlaczu będzie migać ikona Eco.
3. W celu wybrania innego programu mycia należy nacisnąć i przytrzymać przycisk programów, aż zostanie wybrana właściwa opcja. Opcje będą przełączać się w kolejności podanej w poniższej tabeli programów mycia, a następnie ustawienie powróci do programu ECO. W każdym przypadku zaczniesz migać ikona wybranego programu.
4. Zamknąć drzwi; powinien być słyszalny odgłos kliknięcia. Wybrana ikona przestanie migać i rozpocznie się cykl mycia.

## Tabela programów mycia

Przedstawia standardowe czasy trwania programów z uwzględnieniem zużycia energii i wody oraz zastosowania zalecanego detergentu.

(●) wskazuje, że podczas ostatniego płukania program wykorzystuje nablyszczacz.

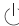
Program	Opis cyklu	Detergent do mycia wstępnego/zasadniczego	Czas trwania (min)	Energia (kWh)	Woda (l)	Nablyszczacz
 <b>Intensywny</b>	Mycie wstępne (50°C)	4/14 g	3:25	1,378	15,3	●
	Mycie (65°C) Płukanie Płukanie Płukanie (65°C) Suszenie	(1 lub 2 tabletki)				
 <b>Uniwersalny</b>	Mycie wstępne (45°C)	4/14 g	2:55	1,012	13,1	●
	Mycie (55°C) Płukanie Płukanie (65°C) Suszenie	(1 tabletki)				
<b>ECO</b> (*EN60436)	Mycie wstępne Mycie (45°C)	18 g	3:55	0,755	9,0	●
	Płukanie (60°C) Suszenie	(1 tabletki)				
 <b>Szkło</b>	Mycie wstępne Mycie (50°C) Płukanie	4/14 g	2:00	0,783	13,1	●
	Płukanie (65°C) Suszenie	(1 tabletki)				
 <b>90 min</b>	Mycie (60°C) Płukanie	18 g	1:30	1,093	10,2	●
	Płukanie (65°C) Suszenie	(1 tabletki)				
 <b>Szybki</b>	Mycie (50°C) Płukanie	12 g	0:30	0,539	10,0	○
	Płukanie (45°C)	(1 tabletki)				

### UWAGI:

1. Program ECO (\*EN60436) jest przeznaczony do mycia normalnie zabrudzonej zastawy stołowej. To najbardziej efektywny program pod względem łącznego zużycia energii i wody, zgodny z wymogami EcoDesign UE.

2. Nie zaleca się wstępnego płukania ręcznego naczyń i sztućców, ponieważ prowadzi to do zwiększenia zużycia wody i energii.
3. W przypadku korzystania ze zmywarki zużycie energii i wody jest zazwyczaj mniejsze niż przy myciu ręcznym, pod warunkiem że zmywarka jest używana zgodnie z niniejszą instrukcją obsługi.

## Zmiana lub anulowanie programu mycia

Aby zmienić bieżący program mycia, należy nacisnąć przycisk zasilania  w celu anulowania cyklu. Nacisnąc ponownie przycisk zasilania, aby powrócić do programu ECO i wybrać nowy program po wykonaniu powyższych kroków.

**WSKAZÓWKA:** Jeśli program jest uruchomiony przez pewien czas, detergent mógł zostać zużyty w trakcie mycia głównego. Przed uruchomieniem nowego programu zaleca się otwarcie drzwi i sprawdzenie dozownika.

## Dodawanie naczyń podczas trwającego programu mycia


Aby dodać naczynie w trakcie uruchomionego programu mycia, należy ostrożnie otworzyć drzwi w celu odblokowania blokady.

NIE OTWIERAĆ CAŁKOWICIE drzwi, dopóki ramiona natryskowe nie przestaną się obracać, aby uniknąć ryzyka oparzenia gorącą wodą.



**WAŻNE:** PO OTWARCIU DRZWI PODCZAS TRWAJĄCEGO PROGRAMU MYCIA CO SZEŚCÍDZIESIĄT SEKUND EMITOWANY JEST OSTRZEGAWCZY SYGNAŁ DŹWIĘKOWY. NALEŻY SZYBKO ZAMKNAĆ DRZWI, ABY WZNOWIĆ DZIAŁANIE PROGRAMU, LUB NACISNĄĆ PRZYCIISK ZASILANIA [IKONA], ABY GO CAŁKOWICIE ANULOWAĆ.

## Rozładunek koszy

1. Po zakończeniu programu mycia ośmiokrotnie zostanie wyemitowany sygnał dźwiękowy, a na wyświetlaczu pojawi się symbol „-:-”.
2. Nacisnąc przycisk zasilania , aby wyłączyć urządzenie. Otworzyć drzwi i poczekać na ostygnięcie naczyń przed ich wyjęciem — należy pamiętać, że naczynia będą gorące!
3. Po ostygnięciu opróżnić najpierw dolny, a następnie górny kosz.

## Rozwiązywanie problemów

Usterka	Możliwe przyczyny	Rozwiązanie
Zmywarka nie uruchamia się	Przepalony bezpiecznik lub zadziałał wyłącznik w rozdzielnic	Wymienić bezpiecznik lub zresetować rozdzielnicę. Jeśli problem będzie nadal występował, mogło dojść do usterki elektrycznej; skontaktować się z działem obsługi klienta w celu uzyskania porady
	Nie włączono zasilania	Sprawdzić, czy wtyczka jest prawidłowo podłączona i włączyć zasilanie
	Ciśnienie wody jest niskie	Sprawdzić, czy dopływ wody jest podłączony i otwarty
Pompa odpływowa nie przestaje pracować	Możliwe przelewanie	Skontaktować się z działem obsługi klienta

Usterka	Możliwe przyczyny	Rozwiązanie
Hałas	Odgłosy mycia są zjawiskiem normalnym, jednak w trakcie trwania cyklu naczyń mogą się przemieścić	Przed uruchomieniem programu należy upewnić się, że zmywarka została prawidłowo załadowana
Naczynia i sztućce nie są całkowicie czyste	Niewłaściwy sposób załadowania lub wybór nieprawidłowego cyklu mycia	Upewnić się, że zmywarka została prawidłowo załadowana, ramiona natryskowe nie są zabrudzone ani zablokowane i dobrano właściwy cykl do stopnia zabrudzenia
Zatłuszczenie i niedrożność filtrów	Zaległe czyszczenie i konserwacja filtrów	Regularnie wyjmować i czyścić wszystkie filtry oraz stosować odpowiedni środek czyszczący do zmywarek. Zawsze przestrzegać zaleceń producenta dotyczących eksploatacji.
Matowienie naczyń szklanych lub z ceramiki	Nie wszystkie naczynia szklane i ceramika nadają się do mycia w zmywarce	Delikatne i nieprzeznaczone do mycia w zmywarce naczynia należy myć tylko ręcznie
Tworzenie się rdzawych plam na sztućcach	Nie wszystkie sztućce mogą być myte lub dokładnie osuszone w zmywarce	Delikatne i nieprzeznaczone do mycia w zmywarce sztućce należy myć tylko ręcznie lub wytrzeć ręcznie do sucha niezwłocznie po zakończeniu cyklu mycia
Pozostawianie mydlin po użyciu	Niewłaściwy detergent lub rozlany nablyszczacz	Stosować właściwy detergent, a przed użyciem wytrzeć rozlany nablyszczacz
Niepełne wykorzystanie detergentu lub detergent pozostawiony w zasobniku	Niektóre tabletki 3 w 1 nie rozpuszczają się całkowicie w trakcie krótkich cykli mycia lub zasobnik został zablokowany przez naczynia	W przypadku krótkich cykli mycia zamiast tabletek 3 w 1 lepiej stosować proszek, a przed użyciem należy ponownie załadować górny kosz



**OSTRZEŻENIE:** KLIENT NIE MOŻE DOKONYWAĆ CZYNNOŚCI SERWISOWYCH PRZY TEJ ZMYWARCE. NALEŻY SKONTAKTOWAĆ SIĘ Z INFOLINIĄ DZIAŁU OBSŁUGI KLIENTA DANEGO KRAJU, KTÓREJ DANE KONTAKTOWE ZNAJDUJĄ SIĘ NA KOŃCU NINIEJSZEJ INSTRUKCJI.

## Kody błędów

W przypadku wystąpienia usterki zmywarka wyświetli błąd wraz z kontrolkami programów, jak pokazano w poniższej tabeli.

Komunikat	Problem	Przyczyna
Miganie kontrolki programu Szybki.	Niedostateczna ilość wody.	Sprawdzić ciśnienie wody i kran doprowadzający wodę.
Miganie kontrolki programu Szybki i 90 Minut.	Niedostatecznie wysoka temperatura wody.	Problem z grzałką — skontaktować się z działem obsługi klienta.
Miganie kontrolki programu ECO.	Przelewanie się wody.	Możliwa nieszczelność — skontaktować się z działem obsługi klienta.

Komunikat	Problem	Przyczyna
Miganie kontrolki programu Uniwersalny, Szybki i ECO.	Problem z wyświetlaczem.	Skontaktować się z działem obsługi klienta.



**OSTRZEŻENIE:** NIE WOLNO PODEJMOWAĆ PRÓB SAMODZIELNEJ NAPRAWY. SKONTAKTOWAĆ SIĘ Z DZIAŁEM OBSŁUGI KLIENTA, KTÓREGO DANE KONTAKTOWE ZNAJDUJĄ SIĘ NA KOŃCU NINIEJSZEJ INSTRUKCJI.

## Dostępność części zamiennych

Części zamienne, w zależności od typu, są dostępne przez co najmniej siedem lat dla profesjonalnych serwisantów lub przez co najmniej dziesięć lat dla profesjonalnych serwisantów i użytkowników końcowych. W celu uzyskania pomocy należy się skontaktować z infolinią działu obsługi klienta lub odwiedzić stronę [www.kingfisherspares.com](http://www.kingfisherspares.com)

Zgodnie z rozporządzeniem UE 2019/2017. Informacje można również znaleźć na stronie internetowej: [www.kingfisher.com/products](http://www.kingfisher.com/products)

## Recykling i utylizacja



Zużyte produkty elektryczne (WEEE) nie powinny być utylizowane z odpadami domowymi.

Należy je przekazać do recyklingu w przeznaczonych do tego miejscach. Aby uzyskać informacje o możliwości recyklingu, należy skontaktować się z lokalnymi władzami, firmą zajmującą się utylizacją odpadów lub sprzedawcą, u którego został zakupiony produkt. Symbol kosza na śmieci na produkcie lub jego opakowaniu informuje o tym, że urządzenie nie może zostać wyrzucone wraz z odpadami komunalnymi. Niniejszy produkt musi zostać przekazany do punktu zbiórki sprzętu elektrycznego i elektronicznego w celu recyklingu.

Utylizując niniejszy produkt w odpowiedni sposób, użytkownik zapobiega negatywnym skutkom wpływającym na środowisko i zdrowie publiczne, które mogłyby zostać wywołane poprzez niewłaściwe obchodzenie się z urządzeniem.

W celu ustalenia terminu wizyty serwisowej należy skontaktować się z naszym działem obsługi klienta, korzystając z jednego z poniższych bezpłatnych numerów. Należy wybrać numer odpowiedni dla kraju, w którym zakupiono zmywarkę.

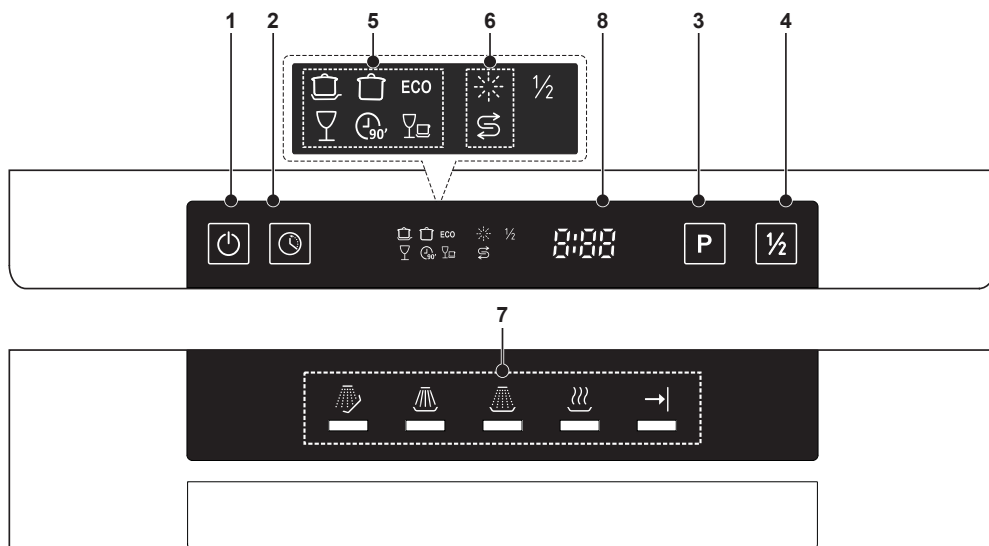
### Infolinia dla klientów (bezpłatna):

800 121 2222 [poland@kingfisherservice.com](mailto:poland@kingfisherservice.com)



## RO Funcții și setări

### Panou de comandă








### Metodă de operare

<b>1 Alimentare</b>	Apasă butonul de alimentare  pentru a porni mașina de spălat vase.
<b>2 Întârziere</b>	Apasă butonul pentru a seta timpul de întârziere pe intervale de o oră, până la maximum 24 de ore.
<b>3 Program</b>	Apasă acest buton pentru a trece prin cele șase programe de spălare.
<b>4 Încărcare la jumătate</b>	Utilizează pentru maximum șase seturi de vase. Reține că opțiunea „Rapid” nu este disponibilă.

### Afișaj

<b>5 Indicator program</b>		<b>Intensiv</b> Articole foarte murdare, inclusiv cratițe și tigăi cu alimente uscate.
		<b>Universal</b> Pentru cratițe, tigăi și pahare cu un nivel normal de murdărie.
	ECO	<b>ECO</b> Similar cu Universal, dar folosește mai puțină apă și energie.
		<b>Sticlă</b> Pentru căni și pahare ușor murdare, cu un ciclu de uscare.
		<b>90 min</b> Similar cu Universal, dar cu un ciclu mai scurt.
<b>6 Indicator avertizare</b>		<b>Rapid</b> Pentru căni și pahare ușor murdare, care nu necesită un ciclu de uscare.
		<b>Soluție de clătire</b> Dacă indicatorul „” este aprins, umple recipientul cu soluție de clătire înainte de următorul ciclu.
		<b>Sare</b> Dacă indicatorul „” este aprins, umple recipientul cu sare înainte de următorul ciclu.

7	Indicador desfășurare	 <b>Prespălare</b>  <b>Spălare principală</b>  <b>Clătire</b>  <b>Uscare</b>
		<p>Fiecare pictogramă se va aprinde pe rând pentru a arăta desfășurarea programului selectat.</p>
8	Afișaj	 <b>Sfârșitul programului</b>
		<p>Această lumină va arăta că programul selectat s-a încheiat.</p>

## Înainte de a începe

**Îndepărtează toate materialele de ambalare de pe mașina de spălat vase.**

**Conectează ștecărul la sursa de alimentare electrică și pornește mașina de spălat vase; aceasta va emite un bip și este pregătită de configurare pentru prima utilizare.**

**Urmează acești pași pentru a configura mașina de spălat vase pentru prima utilizare.**

**Înainte de a utiliza mașina de spălat vase pentru prima dată, trebuie:**

1. Să setezi duritatea apei pentru a se potrivi cu alimentarea de la rețeaua locală de apă.
2. Să umpli recipientul pentru sare cu sare compatibilă cu mașina de spălat vase.
3. Să umpli recipientul pentru soluție de clătire cu soluția de clătire compatibilă cu mașina de spălat vase.
4. Să adăugi detergent pudră sau o capsulă pentru mașina de spălat vase, adecvată pentru prima spălare.

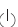
## 01 Duritate apă

Sistemul de dedurizare a apei este conceput pentru a elimina din alimentarea cu apă minerale precum carbonatul de calciu, care are un efect negativ asupra funcționării aparatului. Cu cât nivelul acestor minerale este mai mare, cu atât mai dură este apa. Sistemul de dedurizare trebuie reglat în funcție de duritatea apei din zona ta. Contactează compania locală de furnizare a apei pentru a afla duritatea apei din zona ta.

### Setarea durității apei

Duritatea apei aparatului poate fi setată de la H1 (foarte mică) la H6 (foarte mare).

Sarea pentru mașina de spălat vase nu este necesară pentru apă cu grad foarte scăzut de duritate de H1.

1. Află duritatea apei de la compania locală de furnizare a apei. Această informație se găsește adesea pe site-ul web al companiei, căutând după codul poștal.
2. Există numeroase metode diferite de a descrie duritatea apei, în funcție de țara ta. Cele mai obișnuite versiuni se găsesc în tabelul de duritate a apei de mai jos.
3. Stabilește setarea corectă a aparatului (H1 - H6) din tabelul de duritate a apei, folosind informațiile de la compania locală de furnizare a apei. Dacă scara de duritate a apei nu se găsește în tabel, pe internet sunt disponibile scheme de conversie.
4. Deschide ușa.
5. Apasă butonul de alimentare  pentru a porni aparatul.
6. În decurs de un minut de la pornire, apasă butonul Program [P] pentru minimum cinci secunde pentru a introduce setarea de duritate a apei. H3 este setarea implicită din fabrică.
7. Apasă butonul Program [P] pentru a consulta setările H1 - H6 până când setarea se potrivește cu alimentarea locală cu apă și apasă [P] din nou pentru a o stoca.

## Tabel de duritate a apei

Setare aparat	Duritate apă		
	Grade Clarke (°e)	Grade franțuzești (°fH)	Milimoli (mmol/l)
H1	0 - 6	0 - 9	0 - 0,94
H2	7 - 14	10 - 20	1,0 - 2,0
H3	15 - 21	21 - 30	2,1 - 3,0
H4	22 - 28	31 - 40	3,1 - 4,0
H5	29 - 42	41 - 60	4,1 - 6,0
H6	43 - 69	61 - 98	6,1 - 9,8

## 02 Sare



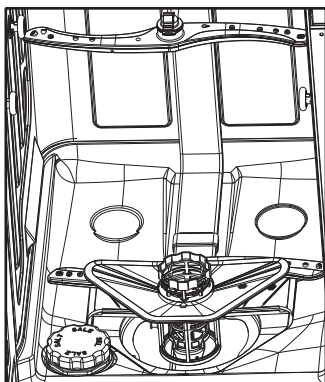
**IMPORTANT: FOLOSEȘTE ÎNTOTDEAUNA SARE COMPATIBILĂ CU MAȘINA DE SPĂLAT VASE.**

Toate celelalte tipuri de sare care nu sunt concepute special pentru utilizare în mașina de spălat vase, în special sarea de masă, vor deteriora sistemul de dedurizare a apei. Utilizarea sării care nu este concepută pentru utilizare în mașina de spălat vase va anula garanția.

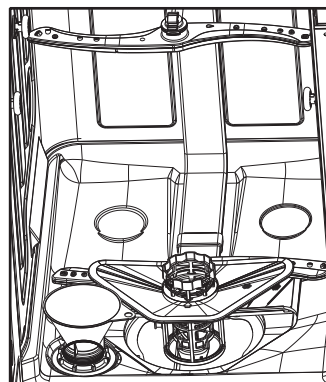
Umple cu sare numai înainte de a porni unul dintre programele complete de spălare pentru a te asigura că nu rămâne sare pe baza aparatului pe o perioadă îndelungată, deoarece acest lucru poate provoca coroziune. Utilizarea sării pentru mașini de spălat vase în sistemul de dedurizare a apei elimină depunerile de calciu (calcar) care se formează când mașina este folosită în zone cu apă dură.

## Umplerea recipientului pentru sare

1

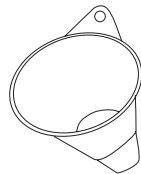


2



- Îndepărtează coșul inferior și apoi deșurubează și scoate capacul recipientului pentru sare (vezi imaginea 1).
- Pentru a asigura funcționarea corectă a sistemului de dedurizare a apei, recipientul trebuie umplut cu 500 ml de apă înainte de a adăuga sarea.
- Introdu pâlnia pentru sare [06] în recipient (vezi imaginea 2) și adaugă suficientă sare pentru mașina de spălat vase până ajunge la marginea recipientului. Asigură-te că recipientul nu este umplut excesiv pentru a evita vărsarea sării pe baza aparatului. Este normal ca o parte din apă să se verse din recipient în timpul umplerii.

- Îndepărtează pâlnia și pune la loc capacul.
- Indicatorul luminos pentru sare de pe panoul de afișare se va stinge de obicei după ce primul ciclu complet de spălare a pus în funcțiune sistemul de dedurizare a apei.



06

## 03 Soluție de clătire

Soluția de clătire este adăugată în timpul ultimului ciclu de clătire și reduce tensiunea superficială a apei înainte de începerea ciclului de uscare.

Acest lucru previne formarea de picături de apă pe vase și asigură o uscare fără pete.



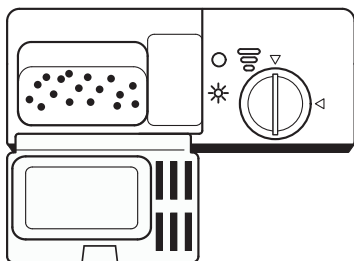
**IMPORTANT: FOLOSEȘTE ÎNTOTDEAUNA SOLUȚIE DE CLĂTIRE COMPATIBILĂ CU MAȘINA DE SPĂLAT VASE.**

Folosește numai soluții de clătire concepute pentru a fi utilizate în mașina de spălat vase. Nu umple niciodată dozatorul pentru soluție de clătire cu altă substanță, de exemplu, oțet, agenți de curățare a mașinii de spălat vase etc., deoarece acest lucru va provoca deteriorarea aparatului și va anula garanția.

### Indicator optic pentru soluția de clătire

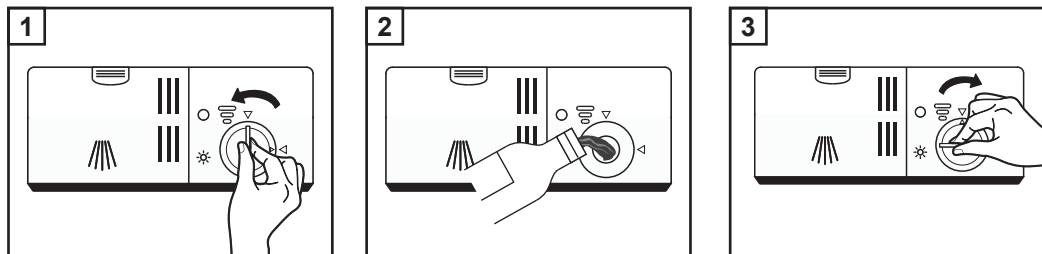
Pe lângă indicatorul pentru soluția de clătire de pe panoul de control, poți afla nivelul de soluție de clătire din recipient folosind indicatorul optic de pe panoul pentru detergent din interiorul ușii.

Când recipientul pentru soluția de clătire este plin, indicatorul optic va arăta ca un punct complet întunecat. Pe măsură ce soluția pentru clătire se consumă, dimensiunea punctului întunecat se va reduce. Se recomandă reumplerea cu soluție de clătire când recipientul este cel puțin 1/4 plin.



Setările indicatorului optic	
●	Plin
◐	3/4 plin
◑	1/2 plin
◒	1/4 plin - reumple recipientul pentru soluție de clătire
○	Gol

## Umplerea dozatorului pentru soluția de clătire



Dozatorul pentru soluție de clătire este situat în interiorul ușii, pe panoul pentru detergent.

Pentru a deschide dozatorul, rotește capacul în sens antiorar la 90° și scoate-l (vezi imaginea 1).

Toarnă cu atenție soluția de clătire în recipient, folosind ca orientare indicatorul optic pentru soluție de clătire (vezi imaginea 2).

Când indicatorul este complet întunecat, recipientul este plin; nu umple excesiv.

Pune la loc capacul, asigurându-te că săgețile sunt aliniate, și rotește-l în sens orar la 90° pentru a-l bloca în poziție (vezi imaginea 3).



**IMPORTANT: ȘTERGE SOLUȚIA DE CLĂTIRE VĂRSATĂ CU O CÂRPĂ ABSORBANTĂ UMEDĂ PENTRU A EVITA FORMAREA DE SPUMĂ ÎN EXCES ÎN TIMPUL URMĂTORULUI CICLU DE SPĂLARE.**

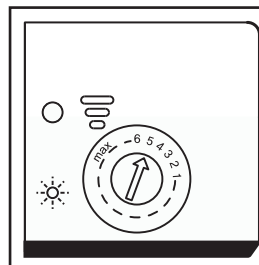
### Reglarea setării pentru soluția de clătire

Dozatorul de soluție de clătire are șase setări și este setat din fabrică la 5. Aceasta va fi setarea corectă în majoritatea cazurilor.

Totuși, dacă rămân picături de apă pe vase după spălare, se poate mări utilizarea de soluție de clătire rotind capul săgeții în sens antiorar.

Dacă rămân pete albe pe vase după spălare, se poate reduce utilizarea de soluție de clătire rotind capul săgeții în sens orar.

Pentru a regla setarea, rotește mai întâi capacul recipientului de soluție de clătire în sens antiorar cu 90° și scoate-l. Reglează capul săgeții cu o șurubelniță mică cu cap plat și pune la loc capacul, rotindu-l în sens orar la 90° pentru a-l bloca.

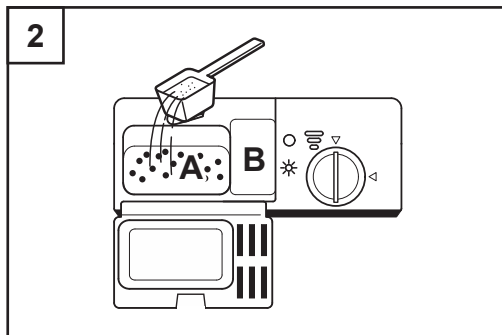
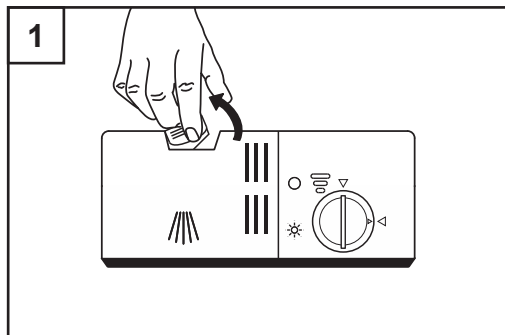


## 04 Detergent pentru mașina de spălat vase

### Alegerea detergentului

Asigură-te că folosești numai detergent pudră sau sub formă de tablete, adecvat pentru mașinile de spălat vase și urmează întotdeauna instrucțiunile producătorului privind cantitatea care trebuie utilizată. Uneori, este posibil ca tabletele să nu se dizolve în totalitate și să nu fie complet utilizate în cel mai scurt ciclu de spălare rapidă, așadar se recomandă folosirea detergentului pudră pentru acest program.

## Umplerea dozatorului pentru detergent



Pentru a deschide capacul pentru detergent, mută mânerul în sus către dreapta, iar capacul se va deschide. După ce a fost adăugat detergentul corect în recipient, închide capacul, apăsându-l pe carcasă până când se fixează cu un clic. Adaugă întotdeauna detergentul chiar înainte de a începe fiecare ciclu de spălare.

Dacă vasele sunt foarte murdare și folosești detergent pudră, pune-l în ambele compartimente.

Compartimentul principal de spălare este marcat cu 1, iar cel de prespălare este marcat cu 2 (vezi schița). Așază tabletele numai în compartimentul principal de spălare.

## 05 Folosirea mașinii de spălat vase

### Încărcarea și descărcarea coșurilor mașinii de spălat vase

Pentru cele mai bune performanțe ale mașinii de spălat vase, urmează aceste instrucțiuni de încărcare. Caracteristicile și aspectul coșurilor și al compartimentelor pentru tacâmuri pot fi diferite față de modelul tău.



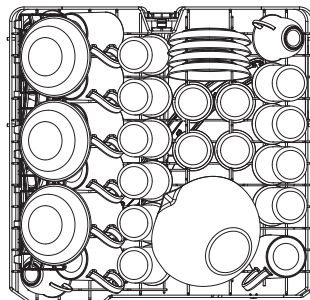
**IMPORTANT: INFORMAȚII PRIVIND ÎNCĂRCAREA CORECTĂ A MAȘINII DE SPĂLAT VASE PENTRU A ASIGURA O PERFORMANȚĂ DE SPĂLARE CORESPUNZĂTOARE:**

- Spală numai articole care pot fi spălate în mașina de spălat vase.
- Nu spăla articole fabricate din lemn, aluminiu, cupru sau porțelan din cenușă de oase.
- Nu spăla pahare de cristal.
- Îndepărtează resturile de mâncare de pe vase și tacâmuri.
- Îndepărtează resturile de mâncare de pe vase și tacâmuri punându-le mai întâi în apă pentru a le înmuia.
- Nu spăla articole mici și ușoare, deoarece pot ieși din coșuri.
- Asigură-te că paharele și articolele fragile nu se ating de altceva în coșuri.
- Asigură-te că toate recipientele (pahare, cești, tigăi) sunt așezate cu susul în jos și într-o poziție stabilă pentru a evita răsturnarea, acumularea de apă și spălarea incorectă.

- Asigură-te că orice cuțite mari de tranșat sunt așezate pe orizontală în coșul superior, nu pe verticală.
- Nu lăsa niciun articol să treacă prin coșuri pentru a evita blocarea rotației brațelor de pulverizare.
- Asigură-te că brațele de pulverizare se rotesc liber înainte de a începe programul de spălare.
- Pentru a obține cele mai bune rezultate ale spălării unui număr mic de articole, asigură-te că acestea sunt împărțite în toate coșurile.

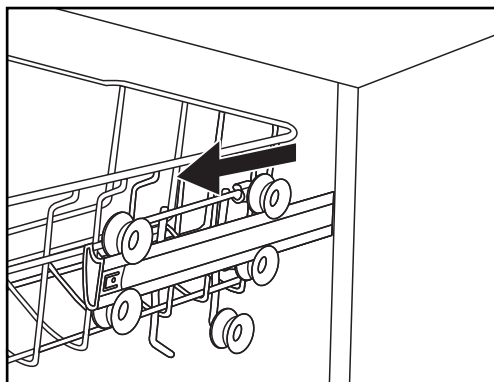
## Încărcarea coșului superior

Coșul superior este conceput pentru a susține articole mai delicate și mai ușoare, precum pahare, cești și farfurioare, boluri mici și tigăi mici. Asigură-te că articolele nu se răstoarnă în timpul ciclului de spălare.

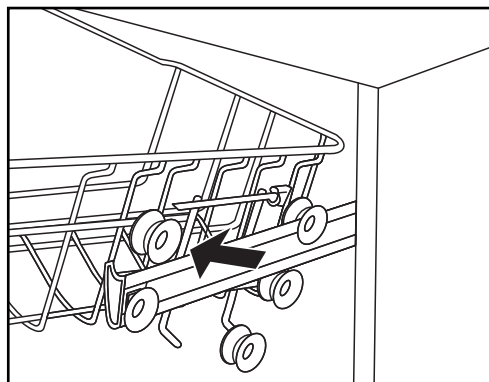


## Reglarea coșului superior

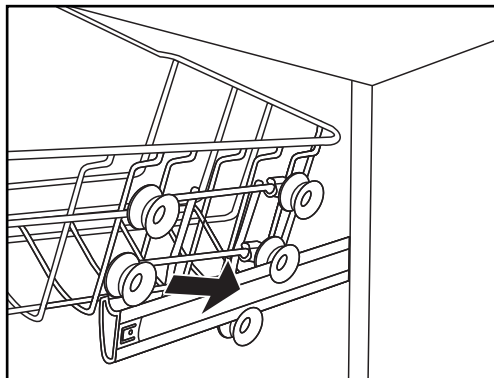
Dacă este necesar, înălțimea coșului superior poate fi reglată pentru a crea mai mult spațiu pentru ustensile mari, fie în coșul superior, fie în cel inferior. Coșul superior poate fi reglat pe înălțime ținând de mânerele de pe ambele părți și ridicând sau coborând până când se fixează în poziție cu un clic. Articolele lungi, tacâmurile pentru servit, tacâmurile pentru salată sau cuțitele trebuie așezate pe orizontală pentru a nu obstrucționa rotirea brațelor de pulverizare. Suporturile pentru pahare pot fi folosite pentru a susține picioarele fragile ale paharelor de vin sau pot fi pliate pe verticală, după cum este necesar.



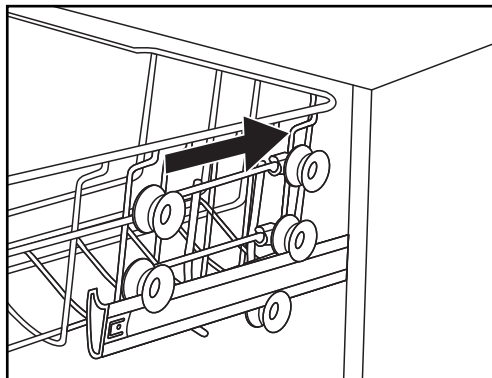
1. Trage coșul superior în exterior.



2. Scoate coșul superior.



3. Atașează la loc coșul superior pe roțile superioare sau inferioare.

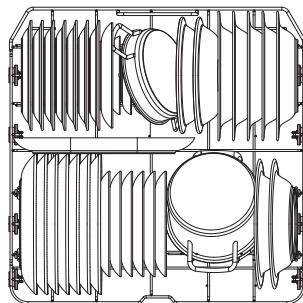


4. Împinge la loc coșul superior.

## Încărcarea coșului inferior

Așază articolele mari, care sunt mai murdare, precum oale, tigăi, capace, vase și boluri de servit, în coșul inferior, așa cum se arată în schița de mai jos.

Asigură-te că cele mai înalte articole sunt așezate în părțile laterale pentru a evita blocarea rotirii brațului de pulverizare.




## Pornirea unui program de spălare

După ce ai finalizat toate etapele de mai sus privind instalarea și configurarea, poți porni primul program de spălare.



**IMPORTANT: ACEST APARAT NU DISPUNE DE UN BUTON DE PORNIRE, AȘADAR PROGRAMUL DE SPĂLARE VA PORNII AUTOMAT CÂND SE SELECȚEAZĂ PROGRAMUL ȘI UȘA ESTE COMPLET ÎNCHISĂ.**






1. Deschide ușa, încarcă mașina de spălat vase și adaugă detergent pentru mașina de spălat vase sau o tabletă 3 în 1 în dozator.
2. Apasă butonul de alimentare  pentru a porni aparatul. Va fi selectat programul implicat ECO, iar pictograma ECO va lumina intermitent Eco.
3. Dacă dorești să alegi un alt program de spălare, apasă butonul Program până când se selectează opțiunea corectă. Opțiunile vor apărea în ordinea din tabelul cu programe de spălare de mai jos, iar apoi se va reveni la ECO. Pictograma pentru programul selectat va lumina intermitent în fiecare caz.
4. Împinge ușa pentru a o închide, până când auzi un clic. Pictograma aleasă nu va mai lumina intermitent, iar ciclul de spălare va începe.



## Tabel cu programe de spălare

Indică timpul obișnuit de spălare, cu consumul de energie și apă aferente, plus detergentul recomandat de utilizare.

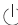
(●) indică faptul că programul folosește soluție de clătire în ultima clătire.

Program	Descriere ciclu	Detergent prespălare/ spălare principală	Timp de funcționare (min)	Energie (kWh)	Apă (l)	Soluție de clătire
 <b>Intensiv</b>	Prespălare (50 °C) Spălare (65 °C) Clătire Clătire Clătire (65 °C) Uscare	4/14 g	3:25	1,378	15,3	●
		(1 sau 2 tablete)				
 <b>Universal</b>	Prespălare (45 °C) Spălare (55 °C) Clătire Clătire (65 °C) Uscare	4/14 g	2:55	1,012	13,1	●
		(1 tabletă)				
<b>ECO</b> (*EN60436)	Prespălare Spălare (45 °C) Clătire (60 °C) Uscare	18 g	3:55	0,755	9	●
		(1 tabletă)				
 <b>Sticlă</b>	Prespălare Spălare (50 °C) Clătire Clătire (65 °C) Uscare	4/14 g	2:00	0,783	13,1	●
		(1 tabletă)				
 <b>90'</b> <b>90 min.</b>	Spălare (60 °C) Clătire Clătire (65 °C) Uscare	18 g	1:30	1,093	10.2	●
		(1 tabletă)				
 <b>Rapid</b>	Spălare (50 °C) Clătire Clătire (45 °C)	12 g	0:30	0,539	10,0	○
		(1 tabletă)				

### NOTE:

- Programul ECO (\* EN60436) este potrivit pentru curățarea vasei cu un grad obișnuit de murdărie; este cel mai eficient program în ceea ce privește consumul său combinat de energie electrică și de apă și este conform cu legislația UE privind proiectarea ecologică.
- Preclătirea manuală a vasei și a tacâmurilor duce la un consum crescut de apă și de energie și nu este recomandată.
- Spălarea vaselor și tacâmurilor într-o mașină de spălat vase de uz casnic consumă, de obicei, mai puțină energie și apă decât spălarea manuală a vaselor atunci când mașina de spălat vase de uz casnic este utilizată conform acestui manual de instrucțiuni.

## Schimbarea sau anularea unui program de spălare

Dacă dorești să schimbi programul de spălare curent, apasă butonul de alimentare  pentru a anula ciclul. Apasă din nou butonul de alimentare pentru a reveni la ECO și alege noul program urmând pașii de mai sus.

**NOTĂ:** Dacă programul este în desfășurare de ceva timp, este posibil ca detergentul să fi fost distribuit și utilizat la spălarea principală. Se recomandă să deschizi ușa și să verifici dozatorul înainte de a începe un nou program.

## Adăugarea de articole suplimentare în timpul unui program de spălare

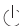
Dacă dorești să adaugi un articol la un program de spălare în curs, deschide ușa cu atenție pentru a dezactiva blocarea.

NU DESCHIDE UȘA COMPLET până când nu auzi că brațele de pulverizare s-au oprit din rotație, pentru a evita riscul opăririi cu apă fierbinte.



**IMPORTANT:** SE VA EMITE UN SEMNAL SONOR LA FIECARE ȘAIZECI DE SECUNDE DACĂ UȘA A FOST DESCHISĂ ÎN TIMPUL UNUI PROGRAM DE SPĂLARE. ÎNCHIDE UȘA IMEDIAT PENTRU CA PROGRAMUL SĂ CONTINUE SAU APASĂ BUTONUL DE ALIMENTARE [PICTOGRAMĂ] PENTRU A-L ANULA COMPLET.

## Descărcarea coșurilor

1. Când programul de spălare este finalizat, se va auzi un semnal sonor de opt ori, iar pe afișaj va apărea „-:-”.
2. Apasă butonul de alimentare  pentru a opri aparatul, deschide ușa și lasă articolele să se răcească înainte de a le manevra; reține faptul că articolele vor fi fierbinți!
3. Când s-au răcit, golește mai întâi coșul inferior, apoi coșul superior.

## Depanare

Problemă	Cauze posibile	Soluție
Mașina de spălat vase nu pornește	Siguranța este arsă sau disjunctorul de pe tabloul de distribuție a fost declanșat	Înlocuiește siguranța sau resetează tabloul de distribuție. Dacă problema persistă, poate exista o defecțiune electrică; contactează serviciul de asistență clienți pentru sfaturi
	Alimentarea electrică nu este pornită	Verifică dacă ștecărul este corect introdus și dacă alimentarea este pornită
	Presiunea apei este scăzută	Verifică dacă alimentarea cu apă este conectată și pornită
Pompa de scurgere nu se oprește din funcționare	Preaplin posibil	Contactează serviciul de asistență clienți
Zgomot	Sunetele de spălare sunt normale, deși articolele se pot mișca în timpul ciclului	Asigură-te că mașina de spălat vase este încărcată corect înainte de a începe programul

Problemă	Cauze posibile	Soluție
Vasele și tacâmurile nu sunt perfect curate	Încărcare incorectă sau ciclul de spălare incorect selectat	Asigură-te că mașina de spălat vase este încărcată corect, brațele de pulverizare nu sunt murdare sau blocate și selectează ciclul corect în funcție de nivelul de murdărie
Filtre unsuroase și blocate	Termenul de curățare și întreținere a filtrelor a fost depășit	Demontează și curăță toate filtrele regulat și folosește o soluție specială pentru curățarea mașinii de spălat vase. Urmează întotdeauna recomandările producătorului privind utilizarea.
Articolele din sticlă și ceramică au la suprafață un aspect încețoșat	Nu toate articolele din sticlă și ceramică pot fi spălate în mașina de spălat vase	Articolele delicate sau care nu pot fi spălate în siguranță în mașina de spălat vase trebuie spălate numai de mână
Pe tacâmuri se formează pete de rugină	Nu toate tacâmurile pot fi spălate în mașina de spălat vase sau uscate complet	Asigură-te că articolele delicate sau care nu pot fi spălate în siguranță în mașina de spălat vase sunt spălate numai de mână sau uscate de mână imediat după finalizarea ciclului de spălare
Rămâne spumă de detergent după utilizare	Detergent incorect sau soluție de clătire scursă	Utilizează detergentul corect și șterge soluția de clătire scursă înainte de utilizare
Detergent utilizat incomplet sau rămas în compartiment	Unele tablete 3 în 1 nu se dizolvă complet în timpul spălărilor rapide sau compartimentul este blocat de veselă	Utilizează detergent pudră în loc de tablete 3 în 1 pentru spălările rapide și reîncarcă, înainte de utilizare, coșul superior



**AVERTISMENT: CLIENTUL NU POATE EFECTUA OPERAȚIUNI DE SERVICE ASUPRA MAȘINII DE SPĂLAT VASE. CONTACTEAZĂ SERVICIUL DE ASISTENȚĂ CLIENȚI PENTRU ȚARA TA, INDICAT LA SFÂRȘITUL ACESTUI MANUAL.**

## Coduri de eroare

În caz de defecțiune, mașina de spălat vase va afișa o eroare, iar luminile programelor vor clipi după cum este indicat în tabelul de mai jos.

Mesaj	Problemă	Cauză
Lumina programului Rapid clipește.	Apă insuficientă.	Verifică presiunea apei și robinetul de alimentare.
Luminile programelor Rapid și 90 minute clipeșc.	Apa nu este destul de caldă.	Problemă la elementul de încălzire - contactează serviciul de asistență clienți.
Lumina programului ECO clipește.	Apă revărsată.	Scurgeri posibile - contactează serviciul de asistență clienți.
Luminile programelor Universal, Rapid și ECO clipeșc.	Problemă la afișaj.	Contactează serviciul de asistență clienți.



**AVERTISMENT: NU ÎNCERCA SĂ REPARI MAȘINA; CONTACTEAZĂ SERVICIUL DE ASISTENȚĂ CLIENȚI DE LA SFÂRȘITUL ACESTUI MANUAL.**

## Disponibilitatea pieselor de schimb

În funcție de piesele de schimb, acestea sunt disponibile pentru o perioadă de minimum șapte ani pentru reparatori profesioniști sau de minimum zece ani pentru reparatori profesioniști și utilizatori finali. Contactează serviciul de asistență clienți sau accesează: [www.kingfishersparses.com](http://www.kingfishersparses.com)

Conform regulamentului UE 2019/2017. Informațiile pot fi găsite și pe site: [www.kingfisher.com/products](http://www.kingfisher.com/products)

## Reciclare și eliminare



Produsele electrice uzate (DEEE) nu trebuie eliminate cu deșeurile menajere.

Acolo unde există facilitățile necesare, recyclează. Consultă autoritățile locale, serviciile de eliminare a deșeurilor menajere sau distribuitorul de unde ai cumpărat aparatul pentru sfaturi privind reciclarea. Simbolul toberonului cu roți, prezent pe produs sau pe ambalaj, arată că acest produs nu poate fi tratat ca deșeu menajer obișnuit. Acest produs trebuie predat la un punct de colectare a echipamentelor electrice și electronice, în vederea reciclării.

Asigurându-te că acest produs este eliminat corespunzător, contribui la evitarea posibilelor consecințe negative pentru mediu și sănătatea publică, care ar putea apărea dacă produsul nu este gestionat corect.

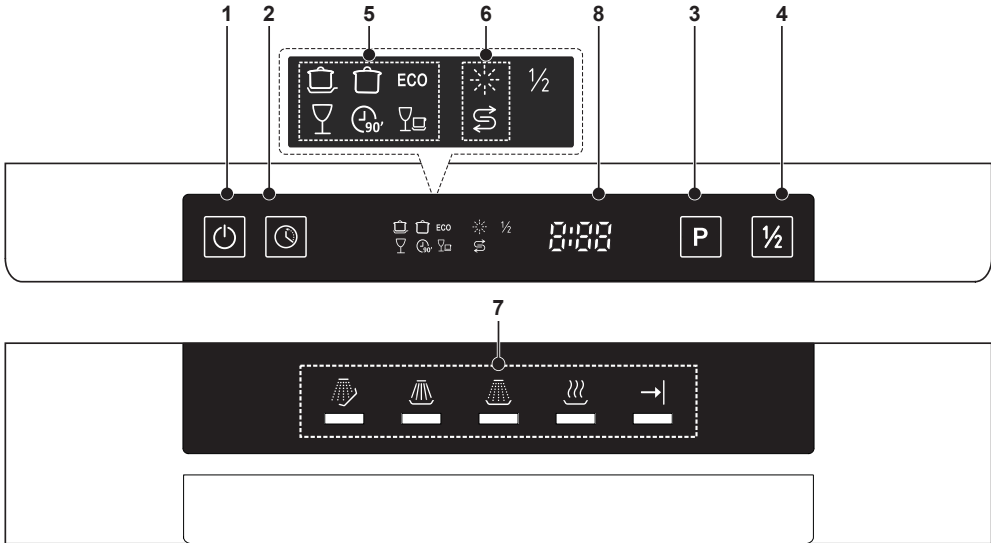
Pentru a programa o vizită de service, contactează serviciul de asistență clienți la unul dintre următoarele numere fără taxă suplimentară; trebuie să apelezi numărul din țara în care ai achiziționat mașina de spălat vase.

### Asistență clienți (apel gratuit):

0800 895 099 [romania@kingfisherservice.com](mailto:romania@kingfisherservice.com)

# ES Funciones y ajustes

## Panel de control








### Funcionamiento

<b>1 Alimentación</b>	Pulse el botón de encendido  para encender el lavavajillas.
<b>2 Diferido</b>	Pulse el botón para ajustar el tiempo de retardo en incrementos de una hora hasta un máximo de 24 horas.
<b>3 Programa</b>	Pulse este botón para desplazarse por los seis programas de lavado.
<b>4 Media carga</b>	Se utiliza para seis cubiertos o menos. Tenga en cuenta que la opción rápida no está disponible.

### Pantalla

<b>5 Indicador de programa</b>		<b>Intensivo</b> Utensilios muy sucios, incluidas ollas y sartenes con comida seca.
		<b>Universal</b> Para ollas, sartenes y vasos con suciedad normal.
	<b>ECO</b>	<b>ECO</b> Similar a Universal, pero consume menos agua y energía.
		<b>Cristal</b> Para tazas y vasos poco sucios con un ciclo de secado.
		<b>90 min</b> Similar a Universal, pero con un ciclo más corto.
		<b>Rápido</b> Para tazas y vasos poco sucios que no necesitan un ciclo de secado.
<b>6 Indicador de advertencia</b>		<b>Abrillantador</b> Si el indicador "☼" está encendido, rellene el depósito de abrillantador antes del siguiente ciclo.
		<b>Sal</b> Si el indicador "S" está encendido, rellene el depósito de sal antes del siguiente ciclo.

7	Indicador de progreso	 <b>Prelavado</b>  <b>Lavado principal</b>  <b>Aclarado</b>  <b>Secado</b>
		<p>Cada icono se iluminará sucesivamente para indicar el progreso del programa seleccionado.</p>
		<p><b>Finalización del programa</b> Esta luz indica que el programa seleccionado ha finalizado.</p>
8	Pantalla	Muestra el tiempo restante del programa, la dureza del agua y los códigos de error.

## Antes de empezar

**Retire todos los materiales de embalaje del lavavajillas.**

**Conecte el enchufe a la fuente de alimentación y enciéndalo; el lavavajillas emitirá un pitido y ya estará listo para configurarse para el primer uso.**

**Siga estos pasos para configurar el lavavajillas para el primer uso.**

**Antes de utilizar el lavavajillas por primera vez, debe:**

1. Establecer la dureza del agua en función de su suministro de agua local.
2. Llenar el depósito de sal con sal apta para lavavajillas.
3. Llenar el depósito con abrillantador apto para lavavajillas.
4. Añadir el detergente lavavajillas en polvo o en pastilla adecuado para el primer lavado.


## 01 Dureza del agua

El descalcificador de agua está diseñado para eliminar minerales procedentes del suministro de agua, como el carbonato cálcico, que afectan negativamente al funcionamiento del aparato. Cuanto mayor sea el contenido de dichos minerales en el agua, más dura será. El descalcificador debe ajustarse de acuerdo con la dureza del agua de su zona. Póngase en contacto con su compañía de agua para conocer la dureza del agua de su zona.

### Ajuste de la dureza del agua

La dureza del agua del aparato se puede ajustar de H1 (muy blanda) a H6 (muy dura).

La sal del lavavajillas no es necesaria si el agua es muy blanda, y está ajustada en H1.

1. Póngase en contacto con su compañía de suministro de agua para conocer la dureza del agua. Esta información suele encontrarse en su sitio web al buscar el código postal.
2. Hay muchos métodos diferentes para conocer la dureza del agua, en función del país. Las más comunes se encuentran en la siguiente tabla de dureza del agua.
3. Determine la correcta configuración del aparato (H1 - H6) a partir de la tabla de dureza del agua con la información de su compañía de suministro de agua. Si su escala de dureza del agua no figura en la tabla, dispone de tablas de conversión en Internet.
4. Abra la puerta.
5. Pulse el botón de encendido  para encender el aparato.
6. Antes de que transcurra un minuto desde el encendido, pulse el botón de programa [P] durante más de cinco segundos para entrar en el modo de dureza del agua. H3 es el valor predeterminado de fábrica.
7. Pulse el botón de programa [P] para desplazarse por los ajustes entre H1 y H6 hasta que coincida con el suministro de agua local y pulse de nuevo [P] para guardar el ajuste.

## Tabla de dureza del agua

Ajuste del aparato	Dureza del agua		
	Grados Clarke (°e)	Grados franceses (°fH)	Milimoles (mmol/l)
H1	0 - 6	0 - 9	0 - 0,94
H2	7 - 14	10 - 20	1,0 - 2,0
H3	15 - 21	21 - 30	2,1 - 3,0
H4	22 - 28	31 - 40	3,1 - 4,0
H5	29 - 42	41 - 60	4,1 - 6,0
H6	43 - 69	61 - 98	6,1 - 9,8

## 02 Sal



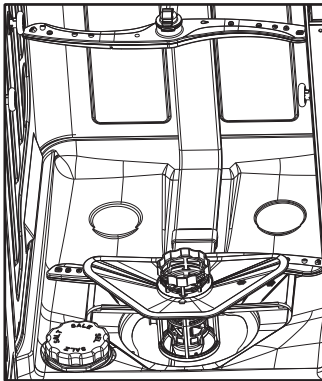
**IMPORTANTE: UTILICE SIEMPRE SAL APTA PARA LAVAVAJILLAS.**

Todos los tipos de sal no específicos para lavavajillas, en especial la sal de mesa, dañarán el descalcificador de agua. El uso de sal no apta para su uso en un lavavajillas anula la garantía.

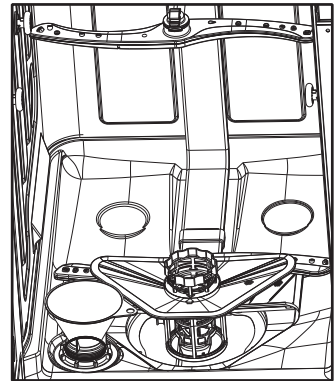
Llene la sal justo antes de iniciar uno de los programas de lavado completo para garantizar que la sal derramada no permanece en la base del aparato durante un tiempo, ya que puede causar corrosión. El uso de sal para lavavajillas en el descalcificador de agua elimina los depósitos de calcio que se forman cuando se utiliza en zonas de agua dura.

## Llenado del depósito de sal

1

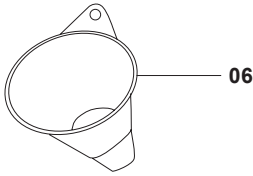


2



- Extraiga el cesto inferior y, a continuación, desenrosque y retire el tapón del depósito de sal (ver imagen 1).
- Para garantizar el correcto funcionamiento del descalcificador de agua, el depósito debe llenarse con 500 ml de agua antes de añadir la sal.
- Inserte el embudo para sal [06] en el depósito (ver imagen 2) y añada sal para lavavajillas hasta que llegue al borde del depósito. Asegúrese de que el depósito no está demasiado lleno para evitar derrames de sal en la base del aparato. Es normal que parte del agua salga del depósito durante el llenado.

- Retire el embudo y enrosque la tapa.
- El indicador luminoso de sal de la pantalla se apaga normalmente después de haber completado el primer del ciclo de lavado y se haya cebado el sistema descalcificador de agua.



### 03 Abrillantador

El abrillantador se añade durante el último ciclo de enjuagado y reduce la tensión del agua en la superficie antes de que empiece el ciclo de secado.

Esto garantiza que no queden gotas de agua en los platos, así como un secado sin manchas ni marcas.



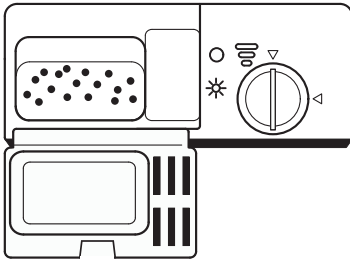
**IMPORTANTE: UTILICE SIEMPRE ABRILLANTADOR APTO PARA LAVAVAJILLAS.**

Utilice exclusivamente abrillantador para lavavajillas. Nunca llene el dosificador de abrillantador con otra sustancia, por ejemplo, vinagre, productos de limpieza de lavavajillas, etc., ya que esto podría provocar daños en el aparato y se anularía la garantía.

### Indicador óptico de abrillantador

Además del indicador de abrillantador del panel de control, también puede juzgar el nivel de abrillantador en el depósito con el indicador óptico del panel de detergente situado en el panel interior de la puerta.

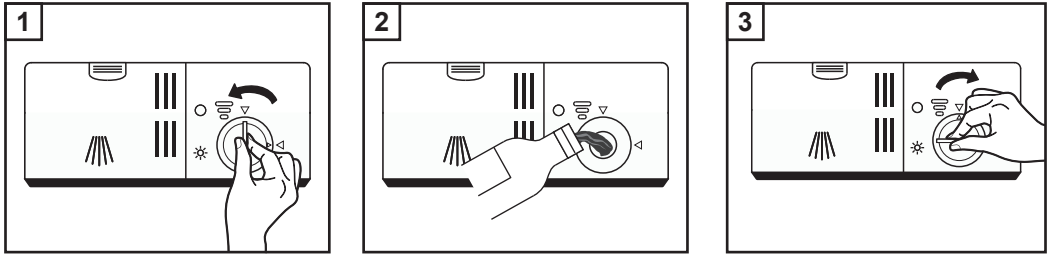
Cuando el dosificador está lleno, el indicador óptico se mostrará como un punto completamente oscuro. A medida que el abrillantador se gasta, el tamaño del punto oscuro disminuirá. Se recomienda que lo rellene con abrillantador antes de que el depósito llegue a 1/4 de su capacidad.



Configuración del indicador óptico	
●	Lleno
◐	3/4 de su capacidad
◑	1/2 de su capacidad
◒	1/4 de su capacidad. Llene el depósito de abrillantador
○	Vacío



## Llenado del dosificador de abrillantador



El dosificador de abrillantador está situado en la puerta, en el panel de detergente.

Para abrir el dispensador, gire el tapón 90° hacia la izquierda y retírelo (ver imagen 1).

Vierta con cuidado el abrillantador en el depósito con el indicador óptico de abrillantador como guía (ver imagen 2).

Cuando el indicador está completamente oscuro, el depósito está lleno; no llene en exceso.

Coloque el tapón con las flechas alineadas y gírelo 90° hacia la derecha para encajarlo en su lugar (ver imagen 3).



**IMPORTANTE:** LIMPIE CUALQUIER SALPICADURA DE ABRILLANTADOR CON UNA BAYETA HÚMEDA ABSORBENTE PARA EVITAR UN EXCESO DE ESPUMA DURANTE EL SIGUIENTE CICLO DE LAVADO.

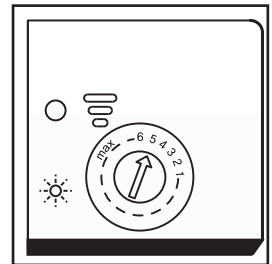
## Ajuste de la configuración del abrillantador

El dosificador de abrillantador tiene seis niveles, y viene ajustado de fábrica en el 5. Esta será la configuración correcta en la mayoría de los casos.

Sin embargo, si hay gotas de agua en la vajilla tras el lavado, el uso de abrillantador se puede aumentar girando la punta de flecha hacia la izquierda.

Si quedan rayas blancas en la vajilla tras el lavado, el uso de abrillantador se puede reducir girando la punta de flecha hacia la derecha.

Para ajustar la configuración, primero gire el tapón 90° hacia la izquierda y retírelo. Ajuste la cabeza de la flecha con un pequeño destornillador de cabeza plana y coloque el tapón girándolo 90° hacia la derecha para bloquearlo.

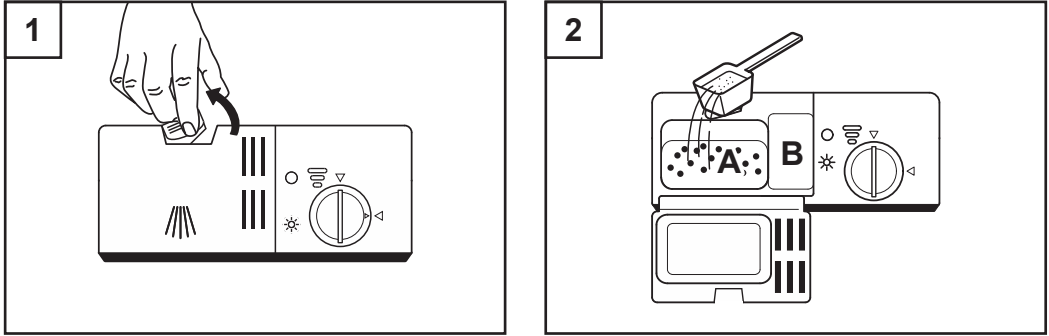


## 04 Detergente para el lavavajillas

### Elección del detergente

Asegúrese de utilizar únicamente detergente en polvo o pastilla adecuado para lavavajillas, y siga siempre las instrucciones del fabricante respecto a la cantidad que se debe utilizar. En ocasiones, puede que las pastillas no se disuelvan y consuman completamente en el ciclo de lavado más rápido, por lo que se recomienda el uso de detergente en polvo para este programa.

## Llenado del dosificador de detergente



Para abrir la tapa del detergente, mueva la palanca hacia arriba a la derecha y la tapa se abrirá. Cuando haya colocado el detergente adecuado en el depósito, cierre la tapa presionando hasta que encaje con un clic. Añada siempre el detergente justo antes de iniciar cada ciclo de lavado.

Si la vajilla está muy sucia y utiliza detergente en polvo, ponga detergente en ambos compartimentos. El compartimento de lavado principal está marcado como 1 y el compartimento de prelavado como 2 (consulte el diagrama). Coloque las pastillas únicamente en el compartimento de lavado principal.

## 05 Uso del lavavajillas

### Carga y descarga de los cestos del lavavajillas

Para un mejor rendimiento del lavavajillas, siga estas pautas de carga. Las características y el aspecto de los cestos y cuberteros pueden variar de un modelo a otro.



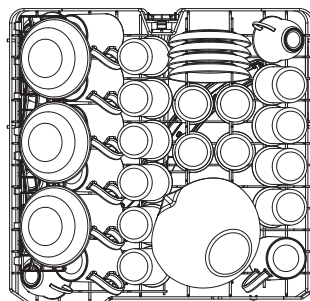
**IMPORTANTE:** INFORMACIÓN SOBRE LA CARGA CORRECTA DEL LAVAVAJILLAS PARA GARANTIZAR UNA EFICIENCIA DE LAVADO ADECUADA:

- Lave solamente utensilios aptos para lavavajillas.
- No lave utensilios de madera, aluminio, cobre o porcelana.
- No lave vasos de cristal con plomo.
- Retire los restos de alimentos de la vajilla y de la cubertería.
- Retire los restos de alimentos de la vajilla remojándola primero en agua para ablandarlos.
- No lave objetos pequeños, ya que pueden salirse de los cestos.
- Asegúrese de que los vasos y los objetos frágiles no estén en contacto con otros utensilios en los cestos.
- Asegúrese de que todos los recipientes (vasos, tazas y sartenes) están boca abajo y se mantienen estables para evitar que se vuelquen, acumulen agua y no se laven correctamente.

- Asegúrese de que los cuchillos grandes estén colocados de manera horizontal en el cesto superior, y no en posición vertical.
- No coloque ningún objeto que atraviese los cestos para evitar bloquear la rotación de los brazos de aspersión.
- Asegúrese de que los brazos de aspersión giran libremente antes de iniciar el programa de lavado.
- Para conseguir los mejores resultados de lavado con un número reducido de objetos, asegúrese de distribuirlos en todos los cestos.

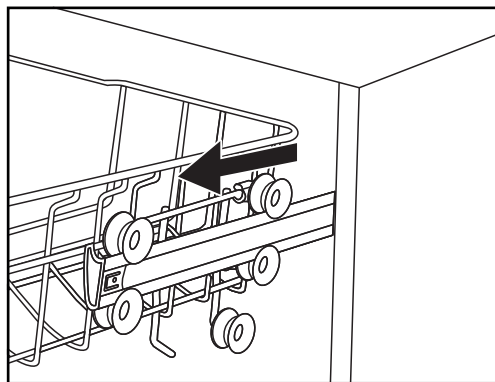
## Carga del cesto superior

El cesto superior está diseñado para colocar objetos más ligeros y delicados, como vasos, tazas y platos, cuencos pequeños y pequeñas bandejas. Asegúrese de que los objetos no vuelquen durante el ciclo de lavado.

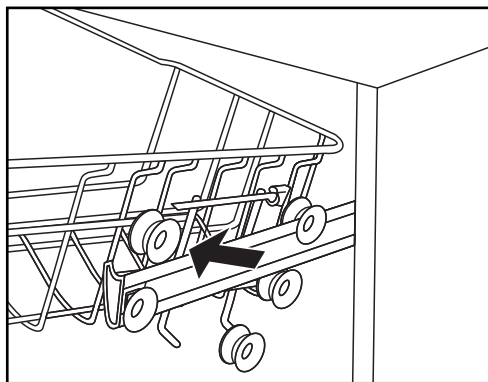


## Ajuste del cesto superior

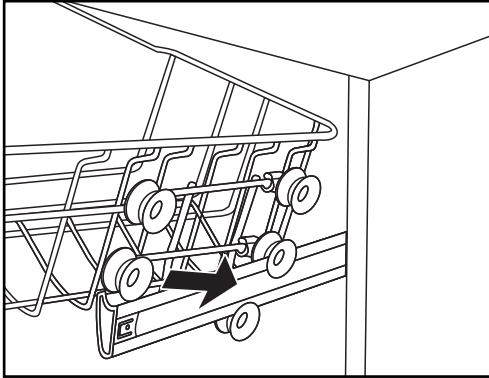
Si es necesario, la altura del cesto superior se puede ajustar para crear más espacio para grandes utensilios de cocina en el cesto superior o en el cesto inferior. El cesto superior se puede ajustar en altura si sujeta las asas de ambos lados de la cesta y lo eleva o baja hasta que encaje en su sitio. Los utensilios largos, como los cubiertos para servir o los cuchillos deben colocarse en posición horizontal, de modo que no obstaculicen el giro de los brazos de aspersión. Los soportes para cristalería se pueden utilizar para sujetar objetos frágiles, como las copas de vino, o se pueden plegar verticalmente, según sea necesario.



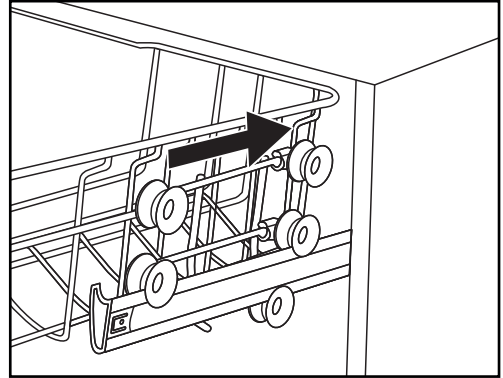
1. Extraiga el cesto superior.



2. Retire el cesto superior.



3. Vuelva a colocar el cesto superior en los rodillos superiores o inferiores.

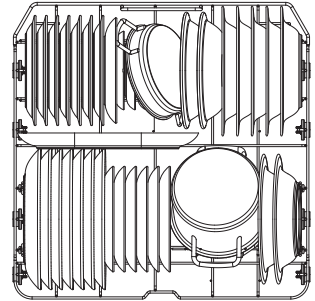


4. Introduzca de nuevo el cesto superior.

## Carga del cesto inferior

Coloque los objetos grandes que estén más sucios en el cesto inferior, como ollas, sartenes, tapaderas, platos y boles, tal como se muestra en el siguiente diagrama.

Asegúrese de que los objetos más altos se colocan a los lados para no bloquear la rotación del brazo aspersor.




## Inicio de un programa de lavado

Una vez que haya completado todos los pasos anteriores de montaje y configuración, ya está listo para empezar con su primer programa de lavado.








**IMPORTANTE:** ESTE APARATO NO DISPONE DE UN BOTÓN DE INICIO, POR LO QUE EL PROGRAMA DE LAVADO SE INICIA AUTOMÁTICAMENTE CUANDO EL PROGRAMA SE HA SELECCIONADO Y LA PUERTA ESTÁ COMPLETAMENTE CERRADA.

1. Abra la puerta, cargue el lavavajillas y añada detergente para lavavajillas o una pastilla 3 en 1 en el dispensador.
2. Pulse el botón de encendido  para encender el aparato. De manera predeterminada, se seleccionará el programa ECO y el icono parpadeará Eco.
3. Si desea seleccionar otro programa de lavado, pulse la tecla de programa hasta que se seleccione la opción correcta. Las opciones rotan en el orden de la tabla de lavado del programa que se muestra a continuación y, después, vuelve a ECO. El icono del programa seleccionado parpadeará según corresponda.
4. Empuje la puerta para cerrarla hasta que oiga un clic. El icono seleccionado dejará de parpadear y se iniciará el ciclo de lavado.

## Tabla de programas de lavado

Indica los tiempos típicos de lavado con el consumo de energía y agua, y el uso de detergente recomendado.

(●) indica que el programa utiliza abrillantador en el último aclarado.


Programa	Descripción del ciclo	Detergente Prelavado/ Lavado principal	Tiempo de funcionamiento (min)	Energía (kWh)	Agua (l)	Abri-llanta-dor
 <b>Intensivo</b>	Prelavado (50 °C) Lavado (65 °C) Aclarado	4/14 g	3:25	1,378	15,3	●
	Aclarado Aclarado (65 °C) Secado	(1 o 2 pastillas)				
 <b>Universal</b>	Prelavado (45 °C) Lavado (55 °C) Aclarado	4/14 g	2:55	1,012	13,1	●
	Aclarado (65 °C) Secado	(1 pastilla)				
<b>ECO</b> (*EN60436)	Prelavado Lavado (45 °C) Aclarado (60 °C) Secado	18 g	3:55	0,755	9,0	●
		(1 pastilla)				
 <b>Cristal</b>	Prelavado Lavado (50 °C) Aclarado	4/14 g	2:00	0,783	13,1	●
	Aclarado (65 °C) Secado	(1 pastilla)				
 <b>90 min</b>	Lavado (60 °C) Aclarado	18 g	1:30	1,093	10,2	●
	Aclarado (65 °C) Secado	(1 pastilla)				
 <b>Rápido</b>	Lavado (50 °C) Aclarado	12 g	0:30	0,539	10,0	○
	Aclarado (45 °C)	(1 pastilla)				

### NOTAS:

1. El programa ECO (\*EN60436) es apto para la limpieza normal de vajillas, siendo el programa más eficiente en términos de consumo de agua y energía, y cumple con la legislación de diseño ecológico de la UE.
2. El enjuague previo manual de la vajilla aumenta el consumo de agua y energía, por lo que no se recomienda.

- Por lo general, el lavado de la vajilla en un lavavajillas doméstico consume menos agua y energía que el lavado a mano, siempre que el lavavajillas doméstico se utilice de acuerdo con este manual de instrucciones.

## Cambio o cancelación de un programa de lavado

Si desea cambiar el programa de lavado, pulse el botón de encendido  para cancelar el ciclo. Pulse el botón de encendido de nuevo para volver a ECO y elija el nuevo programa siguiendo los pasos anteriores.

**NOTA:** Si el programa ha estado en funcionamiento durante un tiempo, es posible que el detergente se haya utilizado en el lavado principal. Se recomienda abrir la puerta y comprobar el dosificador antes de iniciar un nuevo programa.

## Adición de más utensilios durante el programa de lavado

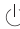
Si desea añadir un utensilio durante un programa de lavado en funcionamiento, abra la puerta con cuidado para quitar el bloqueo.

NO ABRA COMPLETAMENTE LA PUERTA hasta que escuche que los brazos de aspersión han dejado de girar para evitar el riesgo de quemaduras con agua caliente.



**IMPORTANTE:** CADA SESENTA SEGUNDOS SONARÁ UN PITIDO DE AVISO SI LA PUERTA SE ABRE DURANTE UN PROGRAMA DE LAVADO. CIERRE LA PUERTA RÁPIDAMENTE PARA REANUDAR EL PROGRAMA O PULSE EL BOTÓN DE ENCENDIDO [ICONO] PARA CANCELARLO COMPLETAMENTE.

## Descarga de los cestos

- Cuando el programa de lavado haya finalizado, se emitirá un pitido ocho veces y la pantalla mostrará “:-:-”.
- Pulse el botón de encendido  para apagar el aparato, abra la puerta y deje que los utensilios se enfríen antes de manipularlos: tenga en cuenta que estarán calientes.
- Cuando se enfríen, vacíe primero el cesto inferior y luego el superior.

## Resolución de problemas

Problema	Posibles causas	Solución
El lavavajillas no arranca	El fusible se ha fundido o el disyuntor de la unidad de consumo ha saltado	Cambie el fusible o reinicie la unidad de consumo Si este problema continúa, puede deberse a un fallo eléctrico; póngase en contacto con el servicio de atención al cliente para obtener asesoramiento
	La fuente de alimentación no está encendida	Compruebe que el enchufe está correctamente instalado y conectado
	La presión de agua es baja	Compruebe que el suministro de agua está conectado y abierto
La bomba de drenaje no deja de funcionar	Posible desbordamiento	Póngase en contacto con el servicio de atención al cliente
Ruido	Los sonidos durante el lavado son normales, aunque los objetos pueden moverse durante el ciclo	Asegúrese de que el lavavajillas está cargado correctamente antes de iniciar el programa

Problema	Posibles causas	Solución
La vajilla y los cubiertos no quedan totalmente limpios	Carga incorrecta o mala elección del ciclo de lavado	Asegúrese de que el lavavajillas está cargado correctamente y que los brazos de aspersión no están sucios ni bloqueados, y seleccione el ciclo correcto en función de la suciedad
Los filtros tienen grasa y están obturados	Limpie los filtros y realice el mantenimiento	Quite y limpie todos los filtros con regularidad y utilice una solución de limpieza de lavavajillas de marca Siga siempre las instrucciones del fabricante sobre el uso
El vidrio o la cerámica salen blanquecinos	No todos los objetos de vidrio y cerámica son aptos para lavavajillas	Asegúrese de que los objetos delicados o no aptos para lavavajillas se lavan únicamente a mano
Se forman manchas de óxido en la cubertería	No todos los cubiertos son aptos para lavavajillas ni se secan completamente	Asegúrese de los objetos delicados o no aptos para lavavajillas se lavan únicamente a mano, o bien, se secan a mano inmediatamente después de finalizar el ciclo de lavado
Quedan restos de espuma después del uso	El detergente no es adecuado o ha salpicado abrillantador	Utilice un detergente adecuado y limpie las salpicaduras de abrillantador antes de su uso
No se utiliza todo el detergente o se queda en la bandeja	Algunas pastillas 3 en 1 no se disuelven totalmente durante lavados cortos, o la bandeja está bloqueada por la vajilla	Utilice polvo en vez de 3 en 1 para los lavados cortos y vuelva a cargar el cesto superior antes de su uso



**ADVERTENCIA:** EL CLIENTE NO DEBE INTENTAR REPARAR ESTE LAVAVAJILLAS. PÓNGASE EN CONTACTO CON EL TELÉFONO DEL SERVICIO DE ATENCIÓN AL CLIENTE DE SU PAÍS QUE SE INDICA AL FINAL DE ESTE MANUAL.

## Códigos de error

Si se produce una avería, el lavavajillas mostrará un error mediante los indicadores luminosos del programa, tal y como se indica en la siguiente tabla.

Mensaje	Síntoma	Causa
La luz del programa rápido parpadea.	Agua insuficiente.	Compruebe la presión del agua y el grifo de suministro.
Las luces de los programas rápido y de 90 minutos parpadean.	El agua no está lo suficientemente caliente.	Problema con el elemento calefactor. Póngase en contacto con el servicio de atención al cliente.
La luz del programa ECO parpadea.	Exceso de agua.	Posible fuga. Póngase en contacto con el servicio de atención al cliente.
Las luces de los programas Universal, Rápido y ECO parpadean.	Problema de la pantalla.	Póngase en contacto con el servicio de atención al cliente.



**ADVERTENCIA:** NO INTENTE REPARARLO USTED MISMO; PÓNGASE EN CONTACTO CON EL SERVICIO DE ATENCIÓN AL CLIENTE QUE APARECE AL FINAL DE ESTE MANUAL.

## Disponibilidad de piezas de repuesto

En función de la pieza de repuesto, están disponibles durante un período mínimo de siete años para técnicos profesionales o un mínimo de diez años para técnicos profesionales y usuarios finales. Póngase en contacto con el servicio de atención al cliente para obtener ayuda o visite: [www.kingfisherspares.com](http://www.kingfisherspares.com)

De acuerdo con la Normativa de la UE 2019/2017, también puede encontrar información en el sitio web: [www.kingfisher.com/products](http://www.kingfisher.com/products)

## Reciclaje y eliminación



Los residuos procedentes de equipos eléctricos y electrónicos (RAEE) no deben desecharse con la basura doméstica.

Deben reciclarse donde existan instalaciones destinadas a tal fin. Consulte con la autoridad gubernamental local, con los servicios de recogida de desechos domésticos o con el distribuidor que le vendió el producto para obtener información sobre su reciclaje. El símbolo de un cubo de basura con ruedas tachado en el producto o en su embalaje indica que no se puede tratar como basura doméstica normal. Este producto se debe depositar en un punto de reciclaje de aparatos eléctricos y electrónicos.

Asegurarse de que este producto se desecha correctamente ayudará a evitar posibles consecuencias negativas para el medio ambiente y la salud pública que pueden ocurrir si no se recicla de forma adecuada.

Para concertar una llamada de servicio, póngase en contacto con nuestro servicio de atención al cliente en uno de los siguientes números de teléfono gratuitos. Debe llamar al número del país en el que adquirió el lavavajillas.

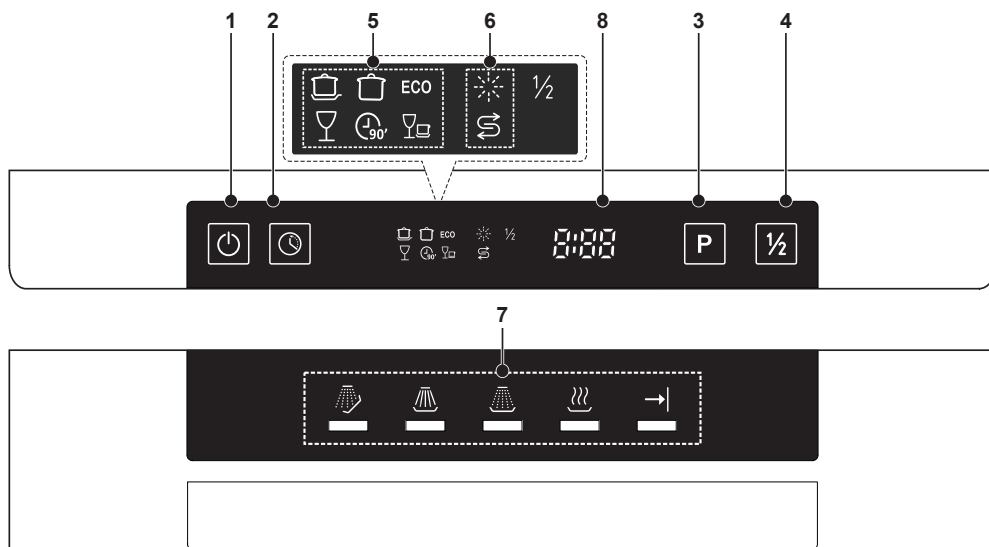
### Línea de atención al cliente (número gratuito):

800 098 794 [spain@kingfisherservice.com](mailto:spain@kingfisherservice.com)



# PT Função e configuração

## Painel de controlo








### Funcionamento

<b>1 Alimentação</b>	Prima o botão de alimentação  para ligar a máquina de lavar louça.
<b>2 Atraso</b>	Prima o botão para definir o tempo de atraso em incrementos de uma hora, até 24 horas.
<b>3 Programa</b>	Prima este botão para percorrer os seis programas de lavagem.
<b>4 Meia carga</b>	Utilize para até seis conjuntos. Tenha em atenção que a opção Rápido não está disponível.

### Visor

<b>5</b> Indicador de programas		<b>Intensivo</b> Itens com maior sujidade, incluindo panelas e frigideiras com resíduos de alimentos secos.
		<b>Universal</b> Para panelas, frigideiras e copos com sujidade normal.
	ECO	<b>ECO</b> Semelhante ao modo Universal, utilizando menos água e energia.
		<b>Vidro</b> Para canecas e copos ligeiramente sujos com um ciclo de secagem.
		<b>90 min</b> Semelhante ao modo Universal, mas com um ciclo mais curto.
		<b>Rápido</b> Para canecas e copos ligeiramente sujos que não necessitam de um ciclo de secagem.
<b>6</b> Indicador de aviso		<b>Abrilhantador</b> Se o indicador "☀" se acender, abasteça o reservatório do abrilhantador antes do ciclo seguinte.
		<b>Sal</b> Se o indicador "⊖" se acender, abasteça o reservatório de sal antes do ciclo seguinte.

7	Indicador de progresso	 <b>Pré-lavagem</b>  <b>Lavagem principal</b>  <b>Enxaguamento</b>  <b>Secagem</b>
		<p>Os ícones acendem-se à vez para indicar o progresso do programa selecionado.</p>
	 <b>Fim do programa</b>	
	<p>Esta luz indica a conclusão do programa selecionado.</p>	
8	Visor	<p>Apresenta o tempo restante do programa, a dureza da água e quaisquer códigos de erro.</p>

## Antes de começar

**Retire todos os materiais de embalagem da máquina de lavar louça.**

**Introduza a ficha na tomada e ligue a máquina de lavar louça, a qual emite um sinal sonoro e fica pronta para configurar a primeira utilização.**

**Siga estes passos para configurar a sua máquina de lavar louça para a primeira utilização.**

**Antes de utilizar a máquina de lavar louça pela primeira vez, tem de:**

1. Definir a dureza da água de acordo com o abastecimento de água local.
2. Encher o compartimento para sal com sal compatível com máquinas de lavar louça.
3. Encher o compartimento para abrillantador com um abrillantador compatível com máquinas de lavar louça.
4. Colocar detergente da louça em pó ou uma cápsula adequada para a primeira lavagem.


## 01 Dureza da água

O amaciador de água foi concebido para remover os minerais, como o carbonato de cálcio, da água abastecida, que teriam um efeito prejudicial no funcionamento do aparelho. Quanto mais elevado for o teor destes minerais, mais dura será a água. O amaciador deve ser ajustado de acordo com a dureza da água na sua área. Entre em contacto com a empresa de abastecimento de água local para obter informações sobre a dureza da água na sua área.

## Regular a dureza da água

A dureza da água do aparelho pode ser definida entre H1 (muito macia) a H6 (muito dura).

O sal para máquinas de lavar louça não é necessário para uma água muito macia de H1.

1. Determine a dureza da água junto da empresa de abastecimento de água local. Normalmente, esta informação está disponível no website da empresa utilizando o seu código postal.
2. Há vários métodos diferentes para indicar a dureza da água dependendo do seu país. As versões mais comuns são apresentadas na tabela de dureza da água abaixo.
3. Determine a regulação correta para o aparelho (H1 - H6) utilizando a tabela de dureza da água com base nas informações da empresa de abastecimento de água local. Se a escala de dureza da água não estiver presente na tabela, existem tabelas de conversão disponíveis na Internet.
4. Abra a porta.
5. Prima o botão de alimentação  para ligar o aparelho.
6. No espaço de um minuto após ligar a máquina, prima o botão de programa [P] durante mais de cinco segundos para entrar no modo de dureza da água. H3 é a predefinição de fábrica.
7. Prima o botão de programa [P] para percorrer as definições de H1 a H6 até à definição que corresponda ao abastecimento de água local e prima [P] novamente para memorizar a definição.

## Tabela da dureza da água

Definição do aparelho	Dureza da água		
	Graus ingleses (°Clarke)	Graus franceses (°fH)	Milimoles (mmol/L)
H1	0 - 6	0 - 9	0 - 0,94
H2	7 - 14	10 - 20	1,0 - 2,0
H3	15 - 21	21 - 30	2,1 - 3,0
H4	22 - 28	31 - 40	3,1 - 4,0
H5	29 - 42	41 - 60	4,1 - 6,0
H6	43 - 69	61 - 98	6,1 - 9,8

## 02 Sal



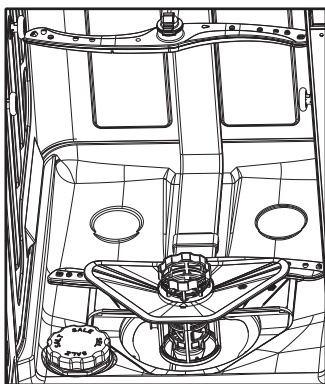
**IMPORTANTE:** UTILIZE SEMPRE SAL COMPATÍVEL COM MÁQUINAS DE LAVAR LOUÇA.

Todos os outros tipos de sal não concebidos especificamente para a utilização numa máquina de lavar louça, especialmente o sal de mesa, irão danificar o amaciador de água. A utilização de sal não concebido para a utilização numa máquina de lavar louça irá invalidar a sua garantia.

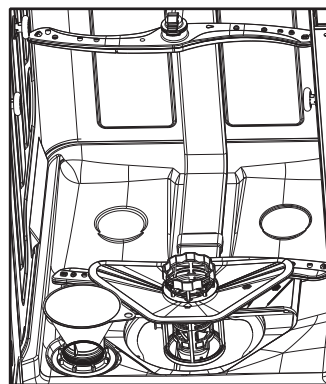
Apenas abasteça com sal imediatamente antes de iniciar um dos programas de lavagem completa para garantir que qualquer sal derramado não permanece no fundo do aparelho durante um longo período de tempo, uma vez que tal pode causar corrosão. A utilização de sal para máquina de lavar louça no amaciador de água elimina os depósitos de calcário que são formados ao utilizar a máquina em áreas de água dura.

## Encher o compartimento para sal

1



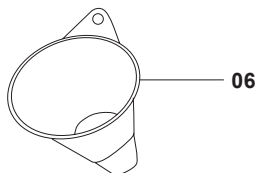
2



- Remova o cesto inferior e, em seguida, desaperte e remova a tampa do compartimento para sal (consultar figura 1).
- Para garantir o funcionamento correto do amaciador de água, tem de abastecer o compartimento com 500 ml de água antes de adicionar o sal.

- Insira o funil para sal [06] no compartimento (consultar figura 2) e adicione sal para máquinas de lavar louça até atingir o rebordo do compartimento. Certifique-se de que o compartimento não está demasiado cheio, para evitar derrames de sal para o fundo do aparelho. É normal que saia alguma água do compartimento durante o enchimento.

- Retire o funil e volte a colocar a tampa.
- Normalmente, a luz indicadora de sal no painel do visor apaga-se depois de o primeiro ciclo de lavagem completo preparar o sistema do amaciador de água.



## 03 Abrilhantador

O abrilhantador é adicionado durante o último ciclo de enxaguamento e reduz a tensão superficial da água antes de iniciar o ciclo de secagem.

Isto assegura que não são formadas gotas de água nos seus pratos e garante uma secagem sem manchas e sem marcas.



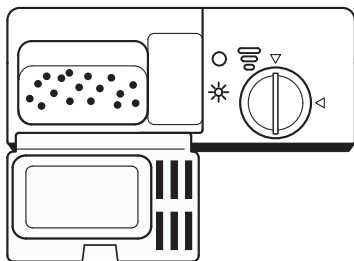
**IMPORTANTE: UTILIZE SEMPRE ABRILHANTADOR COMPATÍVEL COM MÁQUINAS DE LAVAR LOUÇA.**

Utilize apenas abrilhantador concebido para utilização em máquinas de lavar louça. Nunca encha o dispensador de abrilhantador com outras substâncias, por exemplo, vinagre, solução de limpeza para máquinas de lavar louça, etc., pois isso irá danificar o aparelho e invalidar a sua garantia.

### Indicador visual do nível de abrilhantador

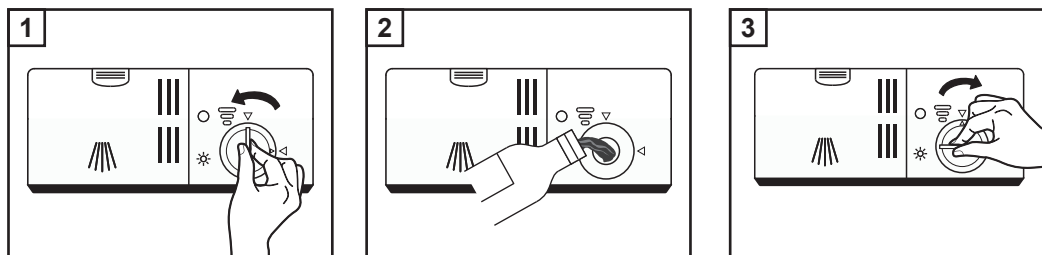
Além do indicador de abrilhantador no painel de controlo, também pode verificar o nível do abrilhantador no compartimento, utilizando o indicador visual no painel de detergentes no interior da porta.

Quando o compartimento do abrilhantador estiver cheio, o indicador visual apresenta um ponto escuro completo. À medida que o nível de abrilhantador diminui, o tamanho do ponto escuro irá diminuir. É recomendado que reabasteça o abrilhantador quando o compartimento estiver a 1/4 da sua capacidade.



Definições do indicador visual	
●	Cheio
◐	3/4 da capacidade
◑	1/2 da capacidade
◒	1/4 da capacidade - encha o compartimento do abrilhantador
○	Vazio

## Encher o dispensador de abrillantador



O dispensador de abrillantador está localizado no interior da porta, no painel de detergente.

Para abrir o dispensador, rode a tampa 90° para a esquerda e retire-a (consultar figura 1).

Verta cuidadosamente o abrillantador para o compartimento, recorrendo ao indicador visual do nível de abrillantador como orientação (consultar figura 2).

Quando o indicador estiver completamente escuro, o compartimento está cheio; não encha demasiado.

Volte a colocar a tampa certificando-se de que as setas estão alinhadas e rode-a 90° para a direita para a bloquear na devida posição (consultar figura 3).



**IMPORTANTE:** ABSORVA QUALQUER ABRILHANTADOR DERRAMADO COM UM PANO ABSORVENTE PARA EVITAR A FORMAÇÃO EXCESSIVA DE ESPUMA DURANTE O PRÓXIMO CICLO DE LAVAGEM.

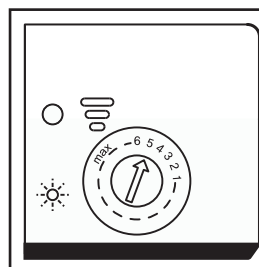
## Ajustar a regulação do abrillantador

O dispensador de abrillantador dispõe de seis regulações e está definido de fábrica para o nível 5. Esta é a regulação correta na maioria dos casos.

No entanto, se existem gotas de água nos pratos após a lavagem, a aplicação de abrillantador pode ser aumentada rodando a cabeça de seta para a esquerda.

Se existirem marcas brancas nos pratos após a lavagem, a utilização de abrillantador pode ser reduzida rodando a cabeça de seta para a direita.

Para ajustar a regulação, primeiro rode a tampa do compartimento para abrillantador 90° para a esquerda e retire-a. Ajuste a seta com uma pequena chave de parafusos de ponta plana e volte a colocar a tampa rodando-a 90° para a direita para a bloquear.

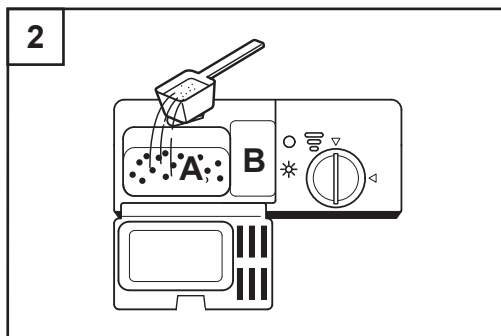
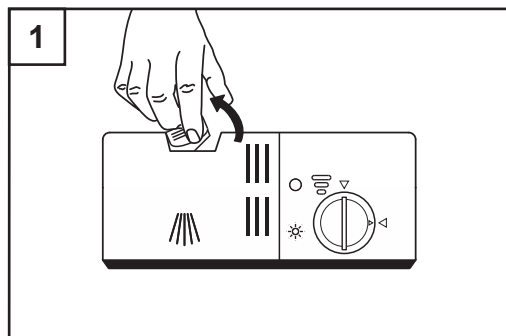


## 04 Detergente para máquina de lavar louça

### Escolha de detergente

Certifique-se de que utiliza apenas detergente em pó ou em pastilhas adequado para máquinas de lavar louça e siga sempre as orientações do fabricante sobre a quantidade a utilizar. Ocasionalmente, as pastilhas podem não ser completamente dissolvidas ou totalmente utilizadas no ciclo de lavagem rápida mais curto, por isso, recomenda-se a utilização de pó para este programa.

## Enchimento do dispensador de detergente



Para abrir a tampa do detergente, mova a patilha para cima em direção ao lado direito e a tampa abre-se. Depois de adicionar o detergente correto no compartimento, feche a tampa pressionando-a sobre o encaixe até encaixar com um estalido. Adicione sempre o detergente imediatamente antes de iniciar um ciclo de lavagem.

Se os pratos estiverem muito sujos e estiver a utilizar um detergente em pó, coloque pó em ambos os compartimentos. O compartimento de lavagem principal está marcado com 1 e o compartimento de pré-lavagem está marcado com 2 (consultar diagrama). Coloque pastilhas apenas no compartimento de lavagem principal.

## 05 Utilizar a máquina de lavar louça

### Colocar e retirar louça dos cestos de máquina de lavar louça

Para obter o melhor desempenho da máquina de lavar louça, siga estas diretrizes sobre a colocação de louça. As características e a aparência dos cestos e dos porta-talheres podem variar de acordo com o modelo.



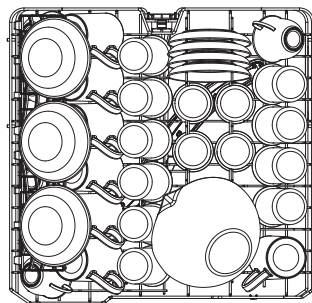
**IMPORTANTE:** INFORMAÇÕES REFERENTES À COLOCAÇÃO DE LOUÇA NA MÁQUINA DE LAVAR LOUÇA PARA GARANTIR UM DESEMPENHO DE LAVAGEM CORRETO:

- Lave apenas os itens que são laváveis na máquina de lavar louça.
- Não lave artigos em madeira, alumínio, cobre ou porcelana de ossos.
- Não lave copos em cristal de chumbo.
- Remova resíduos de alimentos da louça e dos talheres.
- Remova os resíduos da louça demolhando-a primeiro em água para amolecer os alimentos incrustados.
- Não lave itens pequenos e leves, pois podem deslocar-se dos cestos.
- Certifique-se de que copos e itens frágeis não entram em contacto com outros itens nos cestos.

- Certifique-se de que todos os recipientes (copos, chávenas, panelas) estão voltados para baixo e estáveis para evitar que se virem, resultando na acumulação de água e numa lavagem incorreta.
- Certifique-se de que coloca as facas de trinchar grandes horizontalmente no cesto superior, pois não devem estar na vertical.
- Não coloque quaisquer itens a atravessar os cestos para evitar o bloqueio da rotação dos braços de pulverização.
- Certifique-se de que os braços de pulverização rodam livremente antes de iniciar o programa de lavagem.
- Para obter os melhores resultados de lavagem com um pequeno número de itens, certifique-se de que estes estão espalhados por todos os cestos.

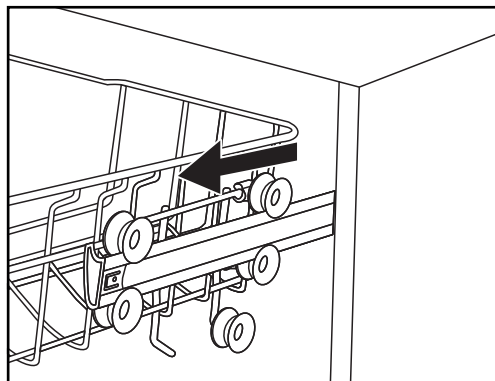
## Colocar louça no cesto superior

O cesto superior foi concebido para colocar os itens mais delicados e leves, como copos, chávenas e pires, taças pequenas e frigideiras pequenas. Certifique-se de que os itens não serão derrubados durante o ciclo de lavagem.

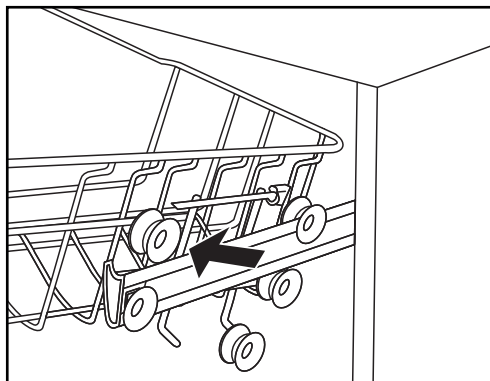


## Ajustar o cesto superior

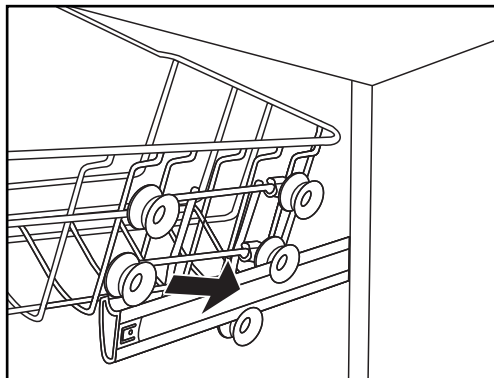
Se necessário, pode ajustar a altura do cesto superior para criar mais espaço para utensílios de cozinha grandes no cesto superior ou no cesto inferior. Pode ajustar a altura do cesto superior agarrando nas pegas de ambos os lados do cesto e elevando ou baixando o cesto até este encaixar na devida posição. Os itens compridos, os talheres de servir, os talheres para salada ou as facas devem ser colocados na horizontal para não obstruírem a rotação dos braços de pulverização. Os suportes para copos podem ser utilizados para suportar os pés frágeis de copos de vinho ou rebatidos na vertical, conforme necessário.



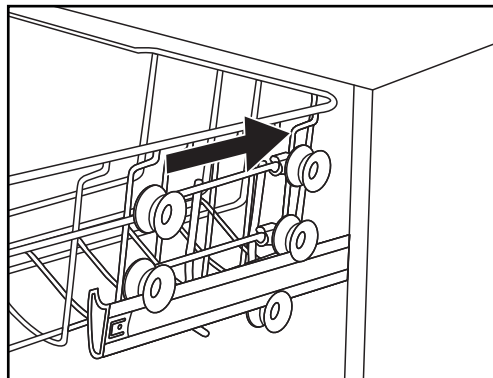
1. Extraia o cesto superior.



2. Retire o cesto superior.



3. Volte a colocar o cesto superior nos rolamentos superiores ou inferiores.

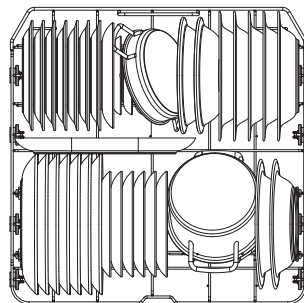


4. Instale novamente o cesto superior.

## Colocar louça no cesto inferior

Coloque os itens grandes e com maior sujidade no cesto inferior, como tachos, painelas, tampas, travessas e taças, conforme ilustrado no diagrama abaixo.

Certifique-se de que os itens mais altos são colocados nas zonas laterais para evitar o bloqueio da rotação do braço de pulverização.




## Iniciar um programa de lavagem

Após a conclusão de todos os passos apresentados acima relativamente à instalação e à preparação, o aparelho está pronto para iniciar o primeiro programa de lavagem.



**IMPORTANTE:** ESTE APARELHO NÃO POSSUI UM BOTÃO DE INICIAR. POR ISSO, O PROGRAMA DE LAVAGEM É INICIADO AUTOMATICAMENTE APENAS QUANDO O PROGRAMA ESTÁ SELECIONADO E A PORTA ESTÁ TOTALMENTE FECHADA.






1. Abra a porta, coloque a louça na máquina de lavar louça, coloque detergente para máquina de lavar louça ou uma pastilha 3 em 1 no dispensador.
2. Prima o botão de alimentação  para ligar o aparelho. O programa ECO predefinido é selecionado e o ícone ECO fica intermitente *Eco*.
3. Se pretender escolher um programa de lavagem diferente, prima o botão Programa até selecionar a opção correta. As opções são apresentadas em sequência segundo a ordem da tabela de programas de lavagem abaixo e, em seguida, o programa ECO é novamente apresentado. O ícone do programa selecionado fica intermitente para cada caso.
4. Pressione a porta até esta fechar com um estalido. A intermitência do ícone selecionado para e o ciclo de lavagem é iniciado.



## Tabela de programas de lavagem

Indica os tempos de lavagem típicos, o consumo de energia e água e a utilização do detergente recomendado.

(●) indica que o programa utiliza abrillantador no último enxaguamento.

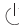
Programa	Descrição do ciclo	Detergente da pré-lavagem/lavagem principal	Tempo de funcionamento (min)	Energia (kWh)	Água (L)	Abrilhan-tador
 <b>Intensivo</b>	Pré-lavagem (50 °C) Lavagem (65 °C) e enxaguamento	4/14 g	03:25	1,378	15,3	●
	Enxaguamento Enxaguamento (65 °C) e secagem	(uma ou duas pastilhas)				
 <b>Universal</b>	Pré-lavagem (45 °C) Lavagem (55 °C) e enxaguamento	4/14 g	02:55	1,012	13,1	●
	Enxaguamento (65 °C) e secagem	(1 pastilha)				
<b>ECO</b> (*EN60436)	Pré-lavagem Lavagem (45 °C)	18 g	03:55	0,755	9,0	●
	Enxaguamento (60 °C) e secagem	(1 pastilha)				
 <b>Vidro</b>	Pré-lavagem Lavagem (50 °C) e enxaguamento	4/14 g	02:00	0,783	13,1	●
	Enxaguamento (65 °C) e secagem	(1 pastilha)				
 <b>90 min</b>	Lavagem (60 °C) e enxaguamento	18 g	01:30	1,093	10,2	●
	Enxaguamento (65 °C) e secagem	(1 pastilha)				
 <b>Rápido</b>	Lavagem (50 °C) e enxaguamento	12 g	0:30	0,539	10,0	○
	Enxaguamento (45 °C)	(1 pastilha)				

### NOTAS:

- O programa ECO (\*EN60436) é adequado para a lavagem de louça com sujidade normal e é o programa mais eficiente em termos de consumo combinado de energia e de água, e está em conformidade com a legislação da UE relativa ao Ecodesign.
- A pré-lavagem manual de louça provoca um aumento do consumo de água e energia e não é recomendada.

3. Lavar a louça numa máquina de lavar loiça doméstica resulta, normalmente, num consumo de energia e água inferior ao da lavagem manual da louça, se a máquina de lavar louça doméstica for utilizada de acordo com este manual de instruções.

## Alteração ou interrupção de um programa de lavagem

Se pretender alterar o programa de lavagem atual, prima o botão de alimentação  para cancelar o ciclo. Prima novamente o botão de alimentação para voltar a ECO e seleccione o novo programa seguindo os passos apresentados acima.

**NOTA:** se o programa estiver em curso há algum tempo, o detergente pode ter sido libertado e utilizado na lavagem principal. Recomendamos que abra a porta e verifique o dispensador antes de iniciar um novo programa.

## Adicionar itens durante um programa de lavagem


Se pretender adicionar um item a um programa de lavagem em curso, abra a porta com cuidado para soltar o trinco.

NÃO ABRA TOTALMENTE a porta antes de conseguir ouvir que os braços de pulverização pararam de rodar, para evitar riscos de queimaduras causados pela água quente.



**IMPORTANTE:** SERÁ EMITIDO UM SINAL SONORO DE AVISO A CADA SESENTA SEGUNDOS SE A PORTA TIVER SIDO ABERTA DURANTE UM PROGRAMA DE LAVAGEM. FECHÉ A PORTA IMEDIATAMENTE PARA RETOMAR O PROGRAMA OU PRIMA O BOTÃO DE ALIMENTAÇÃO [ICON] PARA CANCELAR COMPLETAMENTE.

## Retirar a louça dos cestos

1. Quando o programa de lavagem tiver terminado, são emitidos oito sinais sonoros e o visor apresenta "--:--".
2. Prima o botão de alimentação  para desligar o aparelho, abra a porta e deixe os itens arrefecerem antes de os manusear, pois estarão quentes!
3. Após o arrefecimento, esvazie primeiro o cesto inferior e, em seguida, o cesto superior.

## Resolução de problemas

Problema	Causas possíveis	Solução
A máquina de lavar louça não funciona	Fusível queimado ou o disjuntor no contador elétrico disparou	Substituir o fusível ou repor o contador elétrico. Se este problema persistir, pode haver uma falha elétrica, pelo que deve entrar em contacto com o serviço de atendimento ao cliente para obter aconselhamento
	A alimentação não está ligada	Verifique se a ficha está corretamente instalada e se a eletricidade está ligada
	A pressão da água é baixa	Verifique se a água está ligada e a ser fornecida
A bomba de escoamento não para de funcionar	Transbordamento possível	Contacte o serviço de atendimento ao cliente

<b>Problema</b>	<b>Causas possíveis</b>	<b>Solução</b>
Ruído	Os ruídos da lavagem são normais, pois os itens podem mover-se durante o ciclo	Certifique-se de que a louça está colocada corretamente na máquina de lavar louça antes de iniciar o programa
Os pratos e talheres não estão completamente limpos	Colocação incorreta ou seleção de ciclo de lavagem errado	Certifique-se de que a máquina de lavar louça foi cheia de forma correta, os braços de pulverização não estão sujos nem obstruídos e selecione o ciclo correto com base no nível de sujidade
Filtros gordurosos e obstruídos	Limpeza e manutenção dos filtros em atraso	Retire e limpe todos os filtros regularmente e utilize uma solução de limpeza específica para máquinas de lavar louça. Siga sempre as instruções do fabricante sobre a utilização.
Os itens em vidro ou cerâmica tornam-se baços	Nem todos os itens em vidro ou cerâmica são laváveis na máquina de lavar louça	Certifique-se de que os itens delicados ou não laváveis na máquina são lavados apenas à mão
Aparecimento de manchas de ferrugem em talheres	Nem todos os talheres são laváveis na máquina de lavar louça ou não secam completamente	Certifique-se de que os itens delicados ou não laváveis na máquina são lavados apenas à mão ou secos à mão imediatamente após a conclusão do ciclo de lavagem
Resíduos de espuma de detergente após o ciclo	Detergente incorreto ou derrame de abrillantador	Utilize um detergente correto e limpe o abrillantador derramado antes de utilizar a máquina
O detergente não é totalmente utilizado ou permanece no respetivo compartimento	Algumas pastilhas 3 em 1 não são totalmente dissolvidas durante os ciclos de lavagem curtos ou o compartimento pode estar bloqueado por louça	Utilizar detergente em pó em vez de pastilhas 3 em 1 para ciclos de lavagem curtos e reorganizar o cesto superior antes da utilização



**AVISO:** ESTA MÁQUINA DE LAVAR LOUÇA NÃO PODE SER REPARADA PELO CLIENTE. CONTACTE A LINHA DE ATENDIMENTO AO CLIENTE DO SEU PAÍS INDICADA NO FINAL DESTES MANUAIS.

## Códigos de erro

Se ocorrer uma avaria, a máquina de lavar louça apresenta um erro com as luzes do programa conforme apresentado na tabela seguinte.

<b>Mensagem</b>	<b>Problema</b>	<b>Causa</b>
A luz do programa Rápido pisca.	Água insuficiente.	Verifique a pressão e a torneira de fornecimento da água.
As luzes dos programas Rápido e 90 min piscam.	A água não está suficientemente quente.	Problema com o elemento de aquecimento - contactar o serviço de atendimento ao cliente.
A luz do programa ECO pisca.	Transbordamento de água.	Possível fuga - contactar o serviço de atendimento ao cliente.

Mensagem	Problema	Causa
As luzes dos programas Universal, Rápido e ECO piscam.	Problema no visor.	Contacte o serviço de atendimento ao cliente.



**AVISO: NÃO TENTE EFETUAR A REPARAÇÃO. CONTACTE O SERVIÇO DE ATENDIMENTO AO CLIENTE INDICADO NO FINAL DESTE MANUAL.**

## Disponibilidade de peças sobresselentes

Dependendo da peça sobressalente, esta estará disponível por um período mínimo de sete anos para reparadores profissionais ou durante dez anos, no mínimo, para reparadores profissionais e utilizadores finais. Contacte a linha de atendimento ao cliente para obter assistência ou visite: [www.kingfisherspares.com](http://www.kingfisherspares.com)

Em conformidade com o regulamento 2019/2017 da UE. As informações também estão disponíveis no website: [www.kingfisher.com/products](http://www.kingfisher.com/products)

## Reciclagem e eliminação



Os resíduos de produtos elétricos (REEE) não devem ser eliminados com resíduos domésticos.

Recicle nas instalações adequadas, sempre que existentes. Consulte o seu representante local de autoridade governamental, serviços de eliminação de resíduos domésticos ou o revendedor onde o produto foi comprado para obter aconselhamento sobre reciclagem. O símbolo do caixote do lixo com uma cruz por cima, impresso na embalagem, indica que este produto não pode ser eliminado com o lixo doméstico. Este produto deve ser entregue a um ponto de recolha de equipamento elétrico e eletrónico para reciclagem.

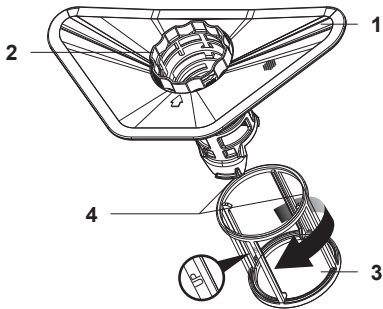
Ao garantir que este produto é eliminado corretamente, está a ajudar a evitar potenciais consequências negativas para o ambiente e saúde pública, que poderiam ocorrer caso este produto não fosse tratado devidamente.

Para organizar um serviço de manutenção, entre em contacto com os nossos serviços de atendimento ao cliente através dos seguintes números de ligação gratuita; tem de ligar para o número correspondente ao país onde adquiriu a máquina de lavar louça.

### **Linha de atendimento ao cliente (gratuita):**

800 814 566 [portugal@kingfisherservice.com](mailto:portugal@kingfisherservice.com)

## The filter parts



The filter system consists of a flat mesh filter and a cylindrical filter in two parts, coarse and fine.

1. Flat mesh filter: Food particles will be initially washed onto the steel mesh filter before entering the plastic cylindrical filter.
2. Coarse cylindrical filter: Larger items like bone fragments will be captured in the coarse filter before they reach the pump.
3. Micro cylindrical filter: This filter holds the smaller food particles in the sump during the wash cycle.
4. Lugs.

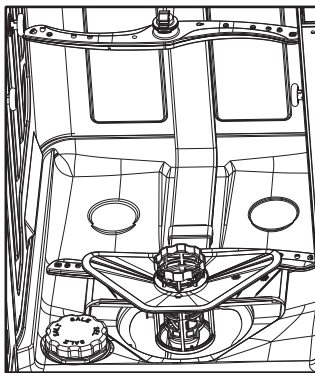
## Cleaning The Filters



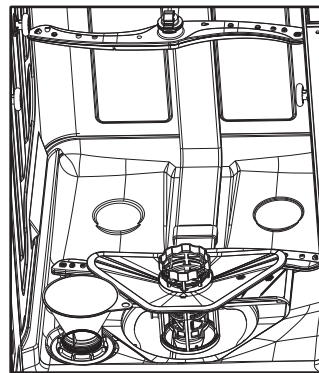
**IMPORTANT:** IT IS RECOMMENDED THAT THE FILTERS ARE CLEANED WEEKLY TO ENSURE CORRECT OPERATION OF THE APPLIANCE.

To remove the filters for cleaning, first remove the bottom basket and turn the lower spray arm so that is parallel with the front of the appliance. Then twist the top of the cylindrical filter 3 anti-clockwise 45° and lift the whole assembly out.

1



2



Squeeze the two lugs (4) on the top of the coarse filter (2) and lift it out of the micro filter (3). The flat mesh filter can now be removed by sliding it forward underneath the spray arm.

Remove any large food debris from the filters and wash carefully with a brush in warm soapy water. Be careful not to damage the micro filter.

To reassemble the filters, repeat the above steps in reverse order ensuring that the two lugs of the coarse filter are correctly seated inside the micro filter. Finally, rotate the filter assembly inside the sump housing until you can feel it drop slightly and then turn it through 45° clockwise to lock it into place.



**WARNING:** NEVER USE THE APPLIANCE WITHOUT THE FILTERS IN PLACE. ENSURE THAT THE FLAT AND CYLINDRICAL FILTERS ARE CORRECTLY LOCKED IN PLACE BEFORE USING THE APPLIANCE!

## Cleaning the Spray Arms

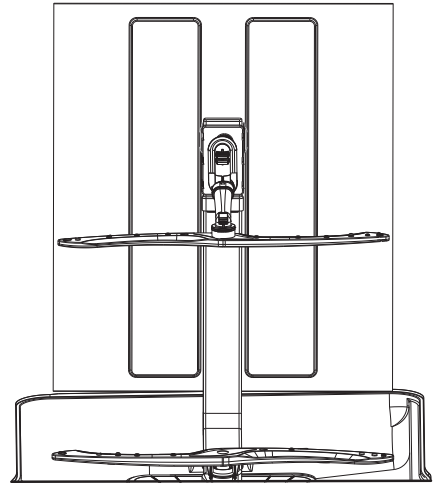
Check the spray arms weekly to ensure that all the jets are clear and not blocked with limescale or food particles. If it is necessary to clean the spray arms, they can be removed as follows:

### Bottom arm

1. Remove bottom rack.
2. Hold the arm centrally and pull vertically upwards.
3. Clean the jets with a small brush and running water.
4. Replace by pushing the arm down until it clicks into place.

### Top arm

1. This can be removed with the top rack still in place.
2. To remove the whole spray mechanism, slide the top rack forwards and unclip the front and back from the underside of the top rack.
3. Unscrew the locking nut clockwise to remove the spray arm from the feeder pipe.
4. Alternatively, to leave the feeder pipe attached to the rack and just remove the spray arm, unscrew the locking nut as in step 3.
5. Clean the jets with a small brush and running water.
6. Replace the spray arm by tightening the locking nut and clicking the feeder arm into place on the rack.
7. Ensure that the feeder pipe engages with the water supply at the back of the machine when the top rack is pushed into the machine.



## Cleaning the Dishwasher

Regularly wipe the door seals with a well wrung damp cloth to remove traces of food and other debris. Please ensure that water does not enter into the lock or electrical components mounted in the door.



**WARNING: DO NOT USE ABRASIVE CLEANERS OR SCOURING PADS TO CLEAN THE DISHWASHER BECAUSE THEY WILL SCRATCH THE FINISH.**

## Caring for the dishwasher

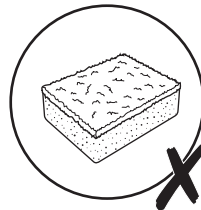
### After every wash

Leave the door slightly ajar for a short time to allow moisture and odours to disperse.

### Cleaning the appliance

Remove the plug before cleaning the appliance.

Occasionally use proprietary dishwasher cleaning and descaling products to maintain the internal cleanliness of the appliance.

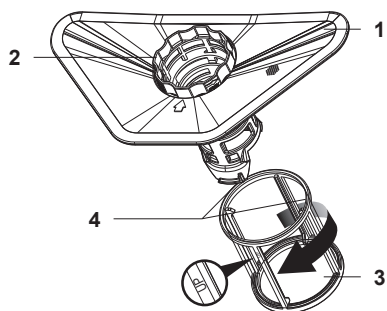


### Customer helpline (toll free):

UK 0800 324 7818 [uk@kingfishersservice.com](mailto:uk@kingfishersservice.com)

Eire 1-800 932 230 [eire@kingfishersservice.com](mailto:eire@kingfishersservice.com)

### Pièces du filtre



Le système de filtre se compose d'un filtre plat à mailles et d'un filtre cylindrique en deux parties : une partie à mailles fines et une autre à grosses mailles.

1. Filtre plat à mailles : les particules d'aliments seront initialement éliminées et évacuées vers le filtre à mailles en acier avant d'entrer dans le filtre cylindrique en plastique.
2. Filtre cylindrique à grosses mailles : les gros résidus comme les fragments d'os seront récupérés par le filtre à grosses mailles avant qu'ils ne puissent atteindre la pompe.
3. Microfiltre cylindrique : ce filtre retient les plus petites particules d'aliments dans le collecteur pendant le cycle de lavage.
4. Languettes.

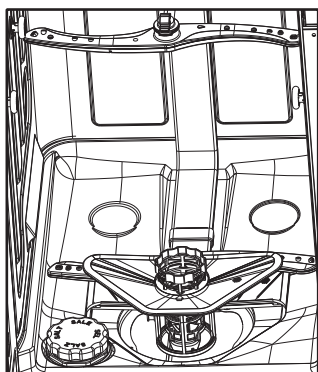
### Nettoyage des filtres



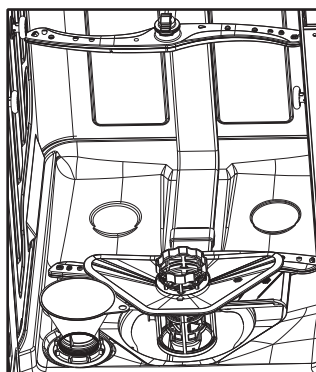
**IMPORTANT : IL EST RECOMMANDÉ DE NETTOYER LES FILTRES UNE FOIS PAR SEMAINE POUR GARANTIR LE BON FONCTIONNEMENT DE L'APPAREIL.**

Pour retirer les filtres à des fins de nettoyage, retirer d'abord le panier inférieur et faire tourner le bras de lavage inférieur afin qu'il soit parallèle à l'avant de l'appareil. Ensuite, tourner le haut du filtre cylindrique 3 de 45° dans le sens antihoraire et soulever l'ensemble pour tout retirer.

1



2



Pincer les deux languettes (4) situées sur le dessus du filtre à grosses mailles (2) et soulever le microfiltre (3) pour le retirer. Le filtre plat à mailles peut maintenant être retiré en le faisant glisser en dessous du bras de lavage.

Retirer tout résidu d'aliment de grande taille récupéré par les filtres et nettoyer ces derniers soigneusement à l'aide d'une brosse à l'eau chaude savonneuse. Veiller à ne pas endommager le microfiltre.

Pour réinstaller les filtres, effectuer les étapes ci-dessus dans l'ordre inverse en veillant à ce que les deux languettes du filtre à grosses mailles soient correctement insérées dans le microfiltre. Enfin, faire tourner l'ensemble filtre à l'intérieur du logement du collecteur jusqu'à ce que vous le sentiez descendre légèrement, puis le tourner de 45° dans le sens horaire pour le verrouiller.



**AVERTISSEMENT : NE JAMAIS UTILISER L'APPAREIL SANS LES FILTRES. S'ASSURER QUE LES FILTRES PLAT ET CYLINDRIQUE SONT CORRECTEMENT VERROUILLÉS AVANT D'UTILISER L'APPAREIL !**

## Nettoyage des bras de lavage

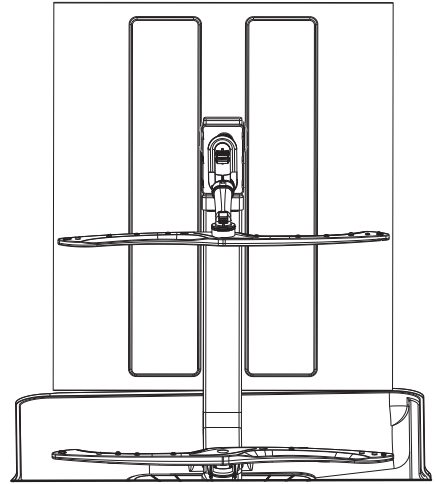
Vérifier les bras de lavage chaque semaine pour s'assurer que tous les gicleurs sont propres et non obstrués par du calcaire ou des résidus d'aliments. S'il est nécessaire de nettoyer les bras de lavage, ils peuvent être retirés comme suit :

### Bras inférieur

1. Retirer le panier inférieur.
2. Maintenir le bras au centre et le tirer verticalement vers le haut.
3. Nettoyer les gicleurs sous un filet d'eau à l'aide d'une petite brosse.
4. Remettre le bras en place en le poussant vers le bas jusqu'à ce qu'il s'enclenche.

### Bras supérieur

1. Le bras supérieur peut être retiré sans retirer le panier supérieur.
2. Pour retirer l'ensemble du mécanisme du bras de lavage, faire glisser le panier supérieur vers l'avant et déclipser l'avant et l'arrière de la face inférieure du panier supérieur.
3. Dévisser l'écrou de blocage dans le sens horaire pour retirer le bras de lavage du tuyau d'alimentation.
4. Sinon, pour laisser le tuyau d'alimentation relié au panier et simplement retirer le bras de lavage, dévisser l'écrou de blocage comme à l'étape 3.
5. Nettoyer les gicleurs sous un filet d'eau à l'aide d'une petite brosse.
6. Réinstaller le bras de lavage en serrant l'écrou de blocage et en clipsant le bras gicleur sur le panier.
7. Veiller à ce que le tuyau d'alimentation se fixe sur l'alimentation en eau à l'arrière de l'appareil, une fois le panier supérieur repoussé à l'intérieur.



## Nettoyage du lave-vaisselle

Essuyer régulièrement les joints d'étanchéité de la porte avec un chiffon humide bien essoré pour éliminer les traces d'aliments et d'autres résidus. S'assurer que l'eau n'entre pas dans les composants de verrouillage ou électriques montés dans la porte.



**AVERTISSEMENT : NE PAS UTILISER DE NETTOYANTS ABRASIFS OU DE TAMPONS À RÉCURER POUR NETTOYER LE LAVE-VAISSELLE. VOUS RISQUERIEZ DE RAYER LA FINITION.**

## Entretien du lave-vaisselle

### Après chaque lavage

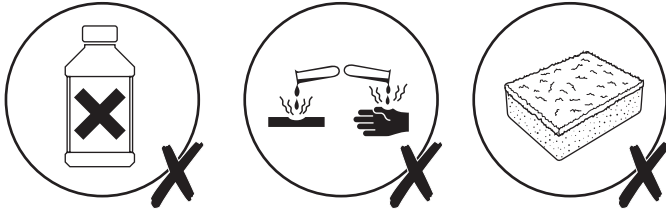
Laisser la porte légèrement entrouverte pendant quelques minutes pour permettre à l'humidité et aux odeurs de se disperser.



## Nettoyage de l'appareil

Débrancher l'appareil avant de le nettoyer.

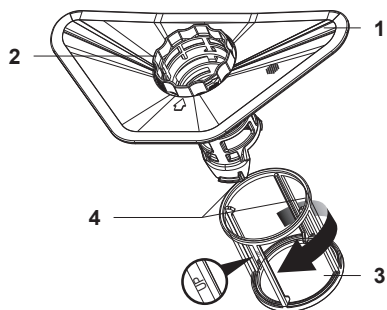
Utiliser occasionnellement des produits de nettoyage et de détartrage spéciaux pour lave-vaisselle afin d'assurer la propreté de l'intérieur de l'appareil.



**Assistance téléphonique (sans frais) :**

0805 114 951 [france@kingfisherservice.com](mailto:france@kingfisherservice.com)

## Elementy filtra



System filtrujący składa się z płaskiego filtra siatkowego i filtra cylindrycznego złożonego z dwóch części, zgrubnej i drobnej.

1. Płaski filtr siatkowy: Przed dotarciem do filtra cylindrycznego z tworzywa sztucznego resztki żywności zostaną wymyte na stalowy filtr siatkowy.
2. Zgrubny filtr cylindryczny: Większe elementy, takie jak fragmenty kości, zostaną przechwycone w filtrze zgrubnym zanim dotrą do pompy.
3. Drobny filtr cylindryczny: Ten filtr w trakcie cyklu mycia zatrzymuje w zbiorniku na odpady mniejsze resztki żywności.
4. Występy.

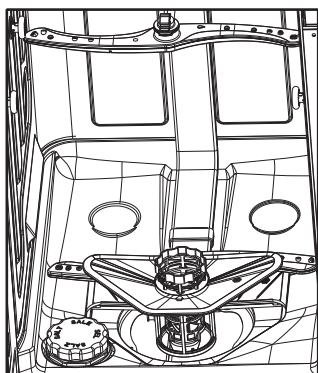
## Czyszczenie filtrów



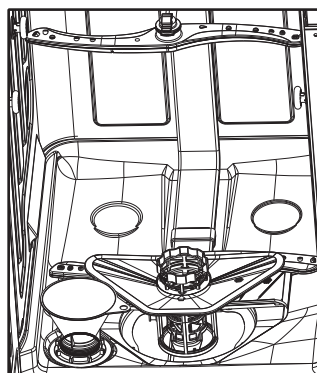
**WAŻNE:** ZALECA SIĘ COTYGODNIOWE CZYSZCZENIE FILTRÓW W CELU ZAGWARANTOWANIA PRAWIDŁOWEGO DZIAŁANIA URZĄDZENIA.

Aby wymontować filtry w celu ich wyczyszczenia, należy najpierw wyjąć dolny kosz i obrócić dolne ramie natryskowe w taki sposób, aby było ustawione równoległe z przednią częścią urządzenia. Następnie należy obrócić górną część filtra (3) o 45° w lewo i wyjąć cały zespół.

1



2



Ścisnąć dwa występy (4) u góry filtra zgrubnego (2) i wyciągnąć go z filtra drobnego (3). Płaski filtr siatkowy można teraz wyciągnąć, przesuwając go do przodu pod ramieniem natryskowym.

Usunąć wszelkie resztki żywności z filtrów i dokładnie umyć je szczotką w ciepłej wodzie z dodatkiem mydła. Uważać, aby nie uszkodzić filtra drobnego.

Aby ponownie zamontować filtry, należy powtórzyć powyższe czynności w odwrotnej kolejności, upewniając się, że dwa występy filtra zgrubnego są prawidłowo osadzone wewnątrz filtra drobnego. Na koniec obrócić zespół filtra wewnątrz obudowy zbiornika na odpady, aż lekko opadnie, a następnie obrócić o 45° w prawo, aby zablokować.



**OSTRZEŻENIE:** NIGDY NIE UŻYWAĆ URZĄDZENIA BEZ ZAŁOŻONYCH FILTRÓW. PRZED UŻYCIEM URZĄDZENIA NALEŻY UPEWNIĆ SIĘ, ŻE FILTR PŁASKI I FILTR CYLINDRYCZNY SĄ ODPOWIEDNIO ZABLOKOWANE!

## Czyszczenie ramion natryskowych

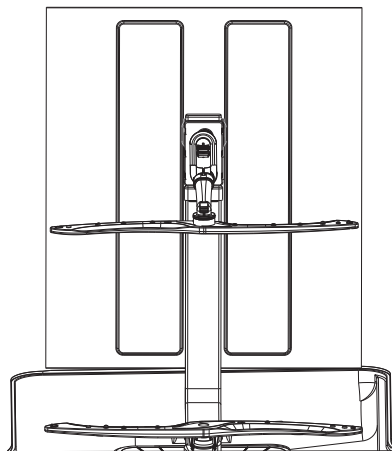
Raz na tydzień sprawdzać ramiona natryskowe, aby upewnić się, że wszystkie dysze są czyste i niezablokowane przez osad lub resztki żywności. W razie konieczności wyczyszczenia ramion natryskowych można je wymontować w następujący sposób:

### Dolne ramię

1. Wyjąć dolny kosz.
2. Przytrzymać ramię na środku i pociągnąć pionowo w górę.
3. Wyczyścić dysze pod bieżącą wodą za pomocą małej szczotki.
4. Zamontować ramię, dociskając je w dół, aż zablokuje się we właściwym położeniu.

### Górne ramię

1. Można je wymontować bez konieczności wyciągania górnego kosza.
2. W celu wymontowania całego mechanizmu natryskowego należy wysunąć górny kosz, a następnie odczepić przednią i tylną część od spodu górnego kosza.
3. Odkręcić nakrętkę zabezpieczającą w prawo, aby zdjąć ramię natryskowe z rury doprowadzającej.
4. Aby nie wymontowywać rury doprowadzającej zamocowanej do kosza i usunąć tylko ramię natryskowe, można również odkręcić nakrętkę zabezpieczającą zgodnie ze wskazówkami podanymi w kroku 3.
5. Wyczyścić dysze pod bieżącą wodą za pomocą małej szczotki.
6. Zamontować ramię natryskowe, dokręcając nakrętkę zabezpieczającą i zatrzasnąć ramię doprowadzające na koszu.
7. Upewnić się, że rura doprowadzająca jest zamocowana do dopływu wody w tylnej części zmywarki, gdy górny kosz zostanie wsunięty do urządzenia.



## Czyszczenie zmywarki

Regularnie wycierać uszczelki drzwi przy użyciu dobrze wyciśniętej, wilgotnej szmatki, aby usunąć resztki żywności i inne zanieczyszczenia. Należy dopilnować, aby woda nie przedostawała się do zamka ani podzespołów elektrycznych zamontowanych w drzwiach.



**OSTRZEŻENIE: DO CZYSZCZENIA ZMYWARKI NIE WOLNO UŻYWAĆ ŚCIERNYCH ŚRODKÓW CZYSZCZĄCYCH ANI SZORSTKICH ZMYWAKÓW, PONIEWAŻ MOGĄ ONE RYSOWAĆ POWIERZCHNIE.**

## Pielęgnacja zmywarki

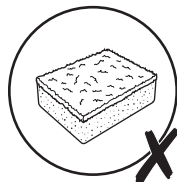
### Po każdym myciu

Pozostawić drzwi lekko uchylone przez krótki czas, aby pozbyć się wilgoci i nieprzyjemnych zapachów.

### Czyszczenie urządzenia

Przed przystąpieniem do czyszczenia urządzenia należy odłączyć wtyczkę.

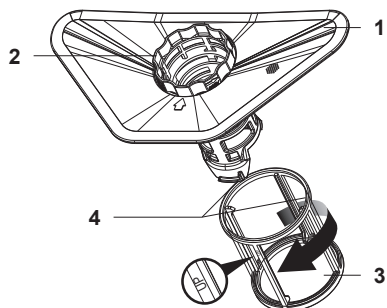
Od czasu do czasu należy użyć odpowiedniego środka czyszczącego do zmywarki i usuwania kamienia, aby utrzymać czystość wnętrza urządzenia.



**Infolinia dla klientów (bezpłatna):**

800 121 2222 poland@kingfisherservice.com

## Pieșele filtrului



Sistemul filtrului constă într-un filtru plat cu plasă și un filtru cilindric din două părți, grosieră și fină.

1. Filtrul plat cu plasă: Particulele de mâncare vor fi inițial prinse în filtrul cu plasă din oțel înainte de a intra în filtrul cilindric din plastic.
2. Filtrul cilindric grosier: Elementele mai mari, precum fragmentele de os, vor fi prinse în filtrul grosier înainte de a ajunge la pompă.
3. Microfiltrul cilindric: Acest filtru captează particulele mai mici de mâncare în colector în timpul ciclului de spălare.
4. Toarte.

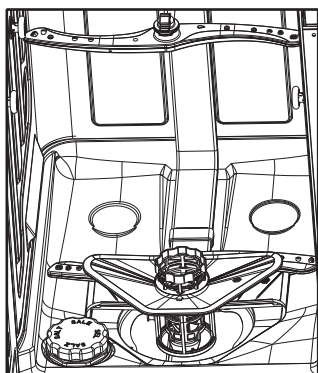
## Curățarea filtrelor



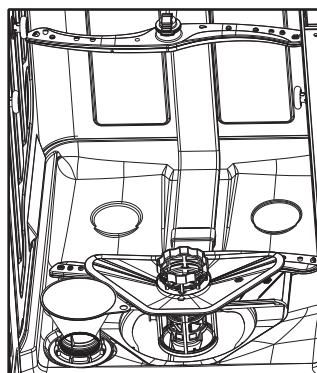
**IMPORTANT: SE RECOMANDĂ CURĂȚAREA SĂPTĂMÂNALĂ A FILTRELOR PENTRU A ASIGURA FUNCȚIONAREA CORECTĂ A APARATULUI.**

Pentru a îndepărta filtrele în vederea curățării, îndepărtează mai întâi coșul inferior și rotește brațul de pulverizare inferior astfel încât să fie paralel cu partea din față a aparatului. Apoi rotește partea superioară a filtrului cilindric 3 în sens antiorar cu 45° și ridică întregul ansamblu pentru a-l scoate.

1



2



Strânge cele două toarte (4) din partea de sus a filtrului grosier (2) și ridică-l de pe microfiltrul (3). Filtrul plat cu plasă poate fi îndepărtat acum glisându-l în față, pe sub brațul de pulverizare.

Îndepărtează orice resturi mari de mâncare de pe filtre și spală-le cu atenție cu o perie, în apă caldă cu detergent. Ai grijă să nu deteriorezi microfiltrul.

Pentru a reasambla filtrele, repetă pașii de mai sus în ordine inversă, asigurându-te că cele două toarte ale filtrului grosier sunt așezate corect în microfiltrul. La final, rotește ansamblul filtrului în carcasa colectorului până când simți că se afundă puțin, apoi rotește-l cu 45° în sens orar pentru a-l bloca în poziție.



**AVERTISMENT: NU UTILIZA NICIODATĂ APARATUL FĂRĂ A AVEA FILTRELE MONTATE. ASIGURĂ-TE CĂ FILTRUL PLAT ȘI CILINDRIC SUNT CORECT BLOCATE ÎN POZIȚIE ÎNAINTE DE A FOLOSII APARATUL!**

## Curățarea brațelor de pulverizare

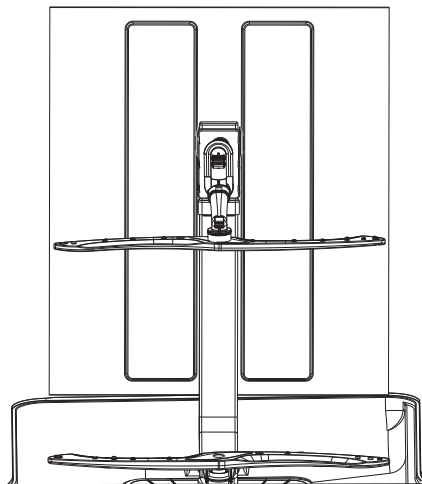
Verifică brațele de pulverizare săptămânal pentru a te asigura că toate orificiile sunt curate și nu sunt blocate de calcar sau particule de mâncare. Dacă este necesar să cureți brațele de pulverizare, acestea pot fi demontate după cum urmează:

## Brațul inferior

1. Scoate raftul inferior.
2. Ține brațul în poziție centrală și trage vertical în sus.
3. Curăță orificiile cu o perie mică și apă de la robinet.
4. Montează brațul la loc apăsându-l în jos până când se blochează în poziție.

## Brațul superior

1. Acesta poate fi îndepărtat când raftul superior este la locul lui.
2. Pentru a demonta întregul mecanism de pulverizare, glicează raftul superior înainte și desprinde partea din față și din spate de pe baza raftului superior.
3. Deșurubează piulița de blocare în sens orar pentru a îndepărta brațul de pulverizare de pe conducta alimentatorului.
4. Alternativ, pentru a lăsa țeava alimentatorului atașată de raft și pentru a demonta doar brațul de pulverizare, deșurubează piulița de blocare ca în pasul 3.
5. Curăță orificiile cu o perie mică și apă de la robinet.
6. Montează la loc brațul de pulverizare strângând piulița de blocare și introducând brațul alimentatorului în poziție pe raft.
7. Țeava alimentatorului trebuie să se cupleze la alimentarea cu apă din spatele mașinii, când raftul superior este împins în mașină.



## Curățarea mașinii de spălat vase

Șterge regulat garniturile ușii cu o cârpă umedă stoarsă bine, pentru a îndepărta urmele de mâncare și alte resturi. Asigură-te că nu intră apă în sistemul de blocare sau în componentele electrice montate în ușă.



**AVERTISMENT: NU FOLOSI AGENȚI DE CURĂȚARE ABRAZIVI SAU BUREȚI ABRAZIVI PENTRU A CURĂȚA MAȘINA DE SPĂLAT VASE, DEOARECE VOR ZGÂRIA FINISAJUL.**

## Îngrijirea mașinii de spălat vase

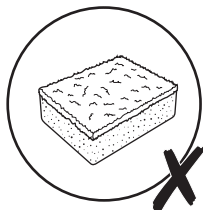
### După fiecare spălare

Lasă ușa puțin deschisă pentru un scurt timp pentru a lăsa umezeala și mirosul să se disperseze.

### Curățarea aparatului

Scoate ștecărul din priză înainte de a curăța aparatul.

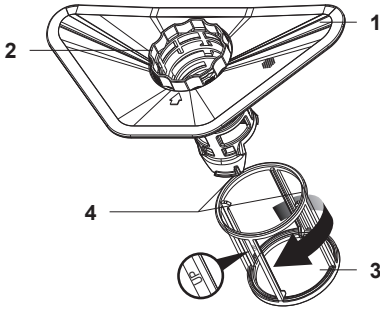
Ocazional, folosește produse speciale pentru curățarea și eliminarea calcarului din mașina de spălat vase pentru a menține interiorul aparatului curat.



### Asistență clienți (apel gratuit):

0800 895 099 [romania@kingfisherservice.com](mailto:romania@kingfisherservice.com)

## Piezas del filtro



El sistema de filtro consta de un filtro de malla plano y un filtro cilíndrico en dos piezas, una gruesa y otra fina.

1. Filtro de malla plano: Las partículas de alimentos se alojan inicialmente en el filtro de malla de acero antes de pasar al filtro cilíndrico de plástico.
2. Filtro cilíndrico grueso: Los elementos más grandes, como los fragmentos de huesos, se capturan en el filtro grueso antes de que lleguen a la bomba.
3. Microfiltro cilíndrico: Este filtro detiene las partículas de alimentos más pequeñas durante el ciclo de lavado.
4. Pestañas.

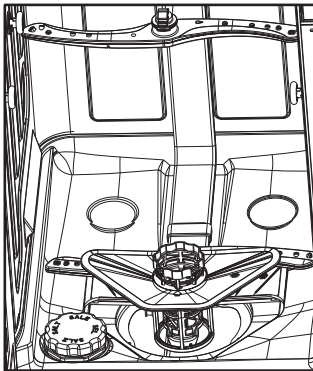
## Limpieza de los filtros



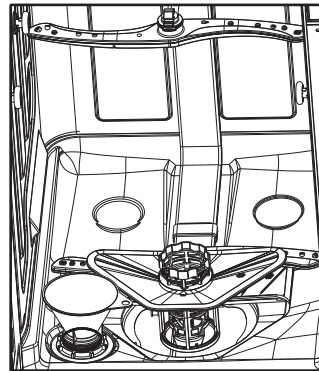
**IMPORTANTE:** SE RECOMIENDA LIMPIAR LOS FILTROS SEMANALMENTE PARA GARANTIZAR EL FUNCIONAMIENTO CORRECTO DEL APARATO.

Para extraer los filtros para su limpieza, retire primero el cesto inferior y gire el brazo de aspersión inferior, de forma que quede paralelo con la parte delantera del aparato. A continuación, gire la parte superior del filtro cilíndrico (3) 45° hacia la izquierda y levante todo el conjunto.

1



2



Apriete las dos pestañas (4) de la parte superior del filtro grueso (2) y levántelo para sacarlo del microfiltro (3). El filtro de malla plano puede quitarse ahora deslizándolo hacia adelante por debajo del brazo aspersor.

Retire los restos de alimentos de gran tamaño de los filtros y lávelos con cuidado con un cepillo y agua caliente con jabón. Tenga cuidado de no dañar el microfiltro.

Para volver a montar los filtros, repita los pasos anteriores en orden inverso para garantizar que las dos pestañas del filtro grueso están correctamente asentadas en el interior del microfiltro. Por último, gire el conjunto de filtros en el interior hasta que note que caen ligeramente y, a continuación, gírelo 45° hacia la derecha para bloquearlo en su posición.



**ADVERTENCIA:** NUNCA UTILICE EL APARATO SIN LOS FILTROS COLOCADOS. ASEGÚRESE DE QUE LOS FILTROS CILÍNDRICOS Y EL FILTRO PLANO ESTÁN CORRECTAMENTE COLOCADOS EN SU SITIO ANTES DE UTILIZAR EL APARATO.

## Limpieza de los brazos de aspersión

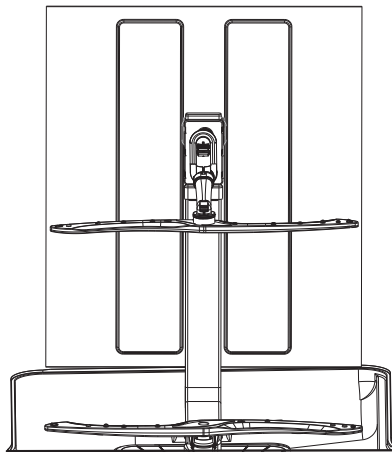
Revise los brazos de aspersión semanalmente para asegurarse de que todos los surtidores están limpios y no están bloqueados con cal o partículas de comida. Si es necesario limpiar los brazos de aspersión, se pueden retirar de la siguiente manera:

### Brazo inferior

1. Extraiga la bandeja inferior.
2. Mantenga el brazo centrado y tire verticalmente hacia arriba.
3. Limpie los difusores con un cepillo pequeño y agua.
4. Para volver a colocarlo, presione el brazo hacia abajo hasta que encaje en su sitio.

### Brazo superior

1. Se puede retirar con la bandeja superior en su sitio.
2. Para retirar todo el mecanismo de aspersión, deslice la bandeja superior hacia delante y suelte la parte delantera y trasera de la parte inferior de la bandeja superior.
3. Desenrosque la tuerca de bloqueo hacia la derecha para retirar el brazo de aspersión del tubo de alimentación.
4. De forma alternativa, para dejar el tubo de alimentación unido al bastidor y quitar solo el brazo de aspersión, afloje la tuerca de bloqueo de la forma indicada en el paso 3.
5. Limpie los difusores con un cepillo pequeño y agua.
6. Coloque el brazo de aspersión apretando la tuerca de bloqueo y haciendo clic en el brazo del alimentador en su lugar en la bandeja.
7. Asegúrese de que el tubo de alimentación está acoplado al suministro de agua en la parte posterior de la máquina cuando la bandeja superior se haya introducido en la máquina.



## Limpieza del lavavajillas

Limpie periódicamente las juntas de la puerta con una bayeta húmeda bien escurrida para quitar los restos de comida y otros residuos. Asegúrese de que no entra agua en el cierre de bloqueo ni en los componentes eléctricos montados en la puerta.



**ADVERTENCIA:** NO UTILICE LIMPIADORES ABRASIVOS NI ESTROPAJOS PARA LIMPIAR EL LAVAVAJILLAS PORQUE PUEDEN RAYAR EL ACABADO.

## Cuidado del lavavajillas

### Después de cada lavado

Deje la puerta ligeramente entreabierta durante un breve periodo de tiempo para que la humedad y los olores se dispersen.

### Limpieza del aparato

Desenchufe el aparato antes de limpiarlo.

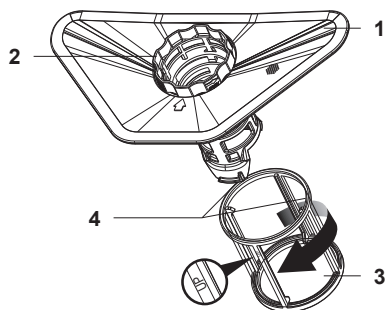
Para mantener la limpieza interna del aparato, utilice de vez en cuando productos de limpieza y descalcificación adecuados para lavavajillas.



**Línea de atención al cliente (número gratuito):**

800 098 794 [spain@kingfisherservice.com](mailto:spain@kingfisherservice.com)

### As peças do filtro



O sistema do filtro é composto por um filtro de malha plano e um filtro cilíndrico de duas partes, grosso e fino.

1. Filtro de malha plano: as partículas de alimentos são inicialmente conduzidas para o filtro de malha de aço, antes de entrarem no filtro cilíndrico de plástico.
2. Filtro cilíndrico grosso: os itens maiores, como fragmentos de ossos serão recolhidos pelo filtro grosso antes de alcançarem a bomba.
3. Micro filtro cilíndrico: este filtro recolhe as partículas de comida menores no reservatório durante o ciclo de lavagem.
4. Patilhas.

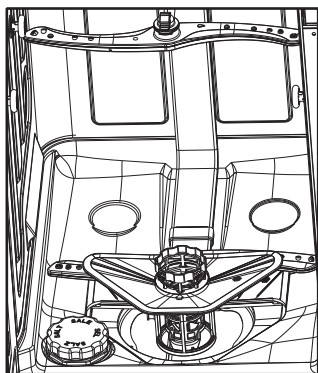
### Limpeza dos filtros



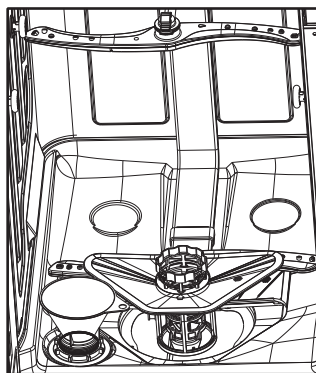
**IMPORTANTE: RECOMENDA-SE QUE OS FILTROS SEJAM LIMPOS SEMANALMENTE PARA GARANTIR O FUNCIONAMENTO CORRETO DO APARELHO.**

Para remover os filtros para limpeza, remova primeiro o cesto inferior e rode o braço de pulverização inferior de modo a colocá-lo em paralelo com a parte frontal do aparelho. Em seguida, rode a parte superior do filtro cilíndrico (3) 45° para a esquerda e retire o conjunto completo.

1



2



Aperte as duas patilhas (4) na parte superior do filtro grosso (2) e retire-o do micro filtro (3). O filtro de malha plano pode ser removido agora deslizando-o para a frente, por baixo do braço de pulverização.

Remova os resíduos de alimentos maiores dos filtros e lave-os cuidadosamente com uma escova em água morna com detergente. Tenha cuidado para não danificar o micro filtro.

Para voltar a montar os filtros, repita os passos acima pela ordem inversa para assegurar que as duas patilhas do filtro grosso estão encaixadas corretamente dentro do micro filtro. Por último, rode o conjunto do filtro dentro da caixa do reservatório até que o sinta descer um pouco e, em seguida, rode-o 45° para a direita para o bloquear no devido lugar.



**AVISO: NUNCA UTILIZE O APARELHO SEM OS FILTROS COLOCADOS. CERTIFIQUE-SE DE QUE OS FILTROS PLANO E CILÍNDRICO ESTÃO CORRETAMENTE BLOQUEADOS NO DEVIDO LUGAR ANTES DE UTILIZAR O APARELHO!**



## Limpeza dos braços de pulverização

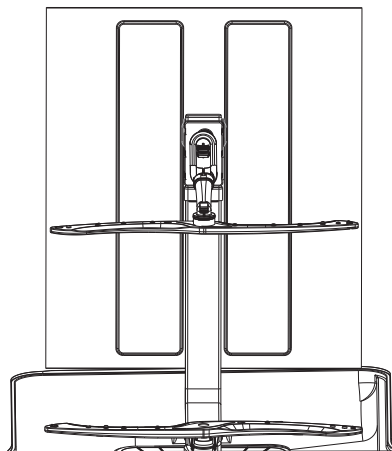
Verifique os braços de pulverização semanalmente para garantir que todos os jatos estão desobstruídos, sem bloqueios de calcário ou partículas de alimentos. Se for necessário limpar os braços de pulverização, pode removê-los da seguinte forma:

### Braço inferior

1. Remova o cesto inferior.
2. Agarre o braço na zona central e puxe para cima verticalmente.
3. Limpe os jatos com uma pequena escova e água corrente.
4. Volte a colocar pressionando o braço até encaixar na devida posição.

### Braço superior

1. Este pode ser removido com o cesto superior ainda colocado.
2. Para remover o mecanismo de pulverização completo, deslize o cesto superior para a frente e desencaixe as partes frontal e traseira da parte de baixo do cesto superior.
3. Desaperte a porca de bloqueio para a direita para remover o braço de pulverização do tubo de alimentação.
4. Em alternativa, para deixar o tubo de alimentação encaixado no cesto e remover apenas o braço de pulverização, desaperte a porca de bloqueio como indicado no passo 3.
5. Limpe os jatos com uma pequena escova e água corrente.
6. Volte a colocar o braço de pulverização apertando a porca de bloqueio e encaixando o tubo de alimentação na devida posição no cesto.
7. Certifique-se de que o tubo de alimentação engata no abastecimento de água na parte posterior da máquina quando o cesto superior é empurrado para o interior da máquina.



## Limpeza da máquina de lavar louça

Limpe regularmente as vedas portas com um pano húmido bem torcido para remover os vestígios de alimentos e outros resíduos. Certifique-se de que a água não entra no trinco nem em componentes elétricos montados na porta.



**AVISO: NÃO UTILIZE DETERGENTES ABRASIVOS NEM ESFREGÕES PARA LIMPAR A MÁQUINA DE LAVAR LOUÇA, POIS ESTES RISCAM O ACABAMENTO.**

## Cuidados com a máquina de lavar louça

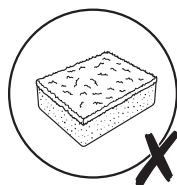
### Após cada lavagem

Deixe a porta ligeiramente entreaberta durante um curto período de tempo para permitir a dispersão da humidade e odores.

### Limpar o aparelho

Retire a ficha antes de limpar o aparelho.

Ocasionalmente, utilize produtos de limpeza e descalcificação da marca para lavar a máquina de lavar louça, mantendo a limpeza interna do aparelho.



**Linha de atendimento ao cliente (gratuita):**

800 814 566 [portugal@kingfisherservice.com](mailto:portugal@kingfisherservice.com)

**Manufacturer • Fabricant • Producent •  
Producător • Fabricante**

**UK Manufacturer:**

Kingfisher International Products Limited,  
3 Sheldon Square, London, W2 6PX  
United Kingdom

**EU Manufacturer:**

Kingfisher International Products B.V.  
Rapenburgerstraat 175E  
1011 VM Amsterdam  
The Netherlands  
[www.kingfisher.com/products](http://www.kingfisher.com/products)  
[www.diy.com](http://www.diy.com)

**EN** [www.screwfix.com](http://www.screwfix.com)

[www.screwfix.ie](http://www.screwfix.ie)

Customer Helpline (Freephone)

UK 0800 324 7818 [uk@kingfisherservice.com](mailto:uk@kingfisherservice.com)

Eire 1800 932 230 [eire@kingfisherservice.com](mailto:eire@kingfisherservice.com)

**To view instruction manuals online,**

**visit [www.kingfisher.com/products](http://www.kingfisher.com/products)**

**FR** [www.castorama.fr](http://www.castorama.fr)

[www.bricodepot.fr](http://www.bricodepot.fr)

Assistance téléphonique (sans frais) :

0805 114 951 [france@kingfisherservice.com](mailto:france@kingfisherservice.com)

**Pour consulter les manuels d'instructions en**

**ligne, rendez-vous sur le site**

**[www.kingfisher.com/products](http://www.kingfisher.com/products)**

**PL** [www.castorama.pl](http://www.castorama.pl)

Infolinia dla klientów (bezpłatna):

800 121 2222 [poland@kingfisherservice.com](mailto:poland@kingfisherservice.com)

**Aby zapoznać się z instrukcją obsługi online,  
odwiedź stronę**

**[www.kingfisher.com/products](http://www.kingfisher.com/products)**

**RO** [www.bricodepot.ro](http://www.bricodepot.ro)

Asistență clienți (apel gratuit):

0800 895 099 [romania@kingfisherservice.com](mailto:romania@kingfisherservice.com)

**Pentru a consulta manualele de instrucțiuni  
online,**

**vizitați [www.kingfisher.com/products](http://www.kingfisher.com/products)**

**ES** [www.bricodepot.es](http://www.bricodepot.es)

Línea de atención al cliente (número gratuito):

800 098 794 [spain@kingfisherservice.com](mailto:spain@kingfisherservice.com)

**Para consultar los manuales  
de instrucciones en línea, visite**

**[www.kingfisher.com/product](http://www.kingfisher.com/product)**

**PT** [www.bricodepot.pt](http://www.bricodepot.pt)

Linha de atendimento ao cliente (gratuita):

800 814 566 [portugal@kingfisherservice.com](mailto:portugal@kingfisherservice.com)

**Para consultar manuais de instruções online,  
visite [www.kingfisher.com/products](http://www.kingfisher.com/products)**